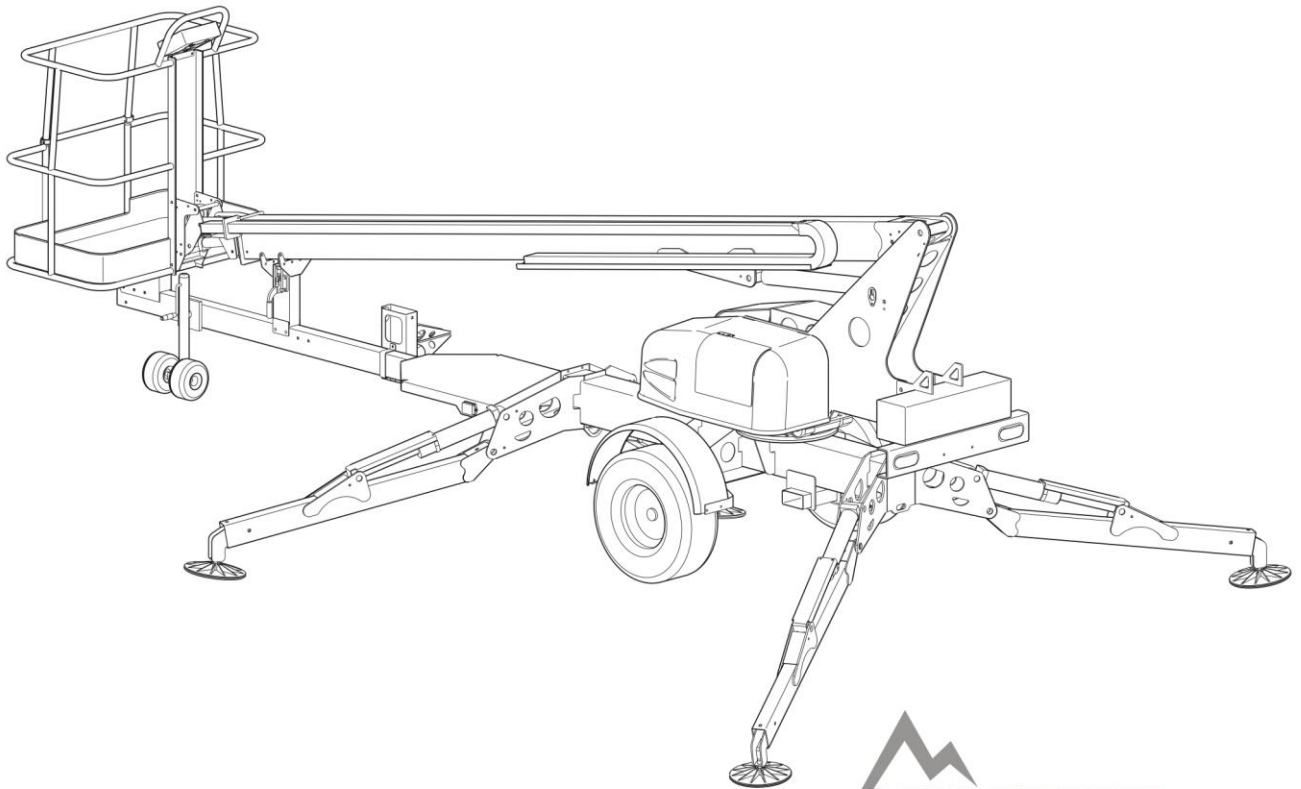


# PARTS MANUAL

**Haulotte**   
GROUP

## 3632T / HTT 13

---

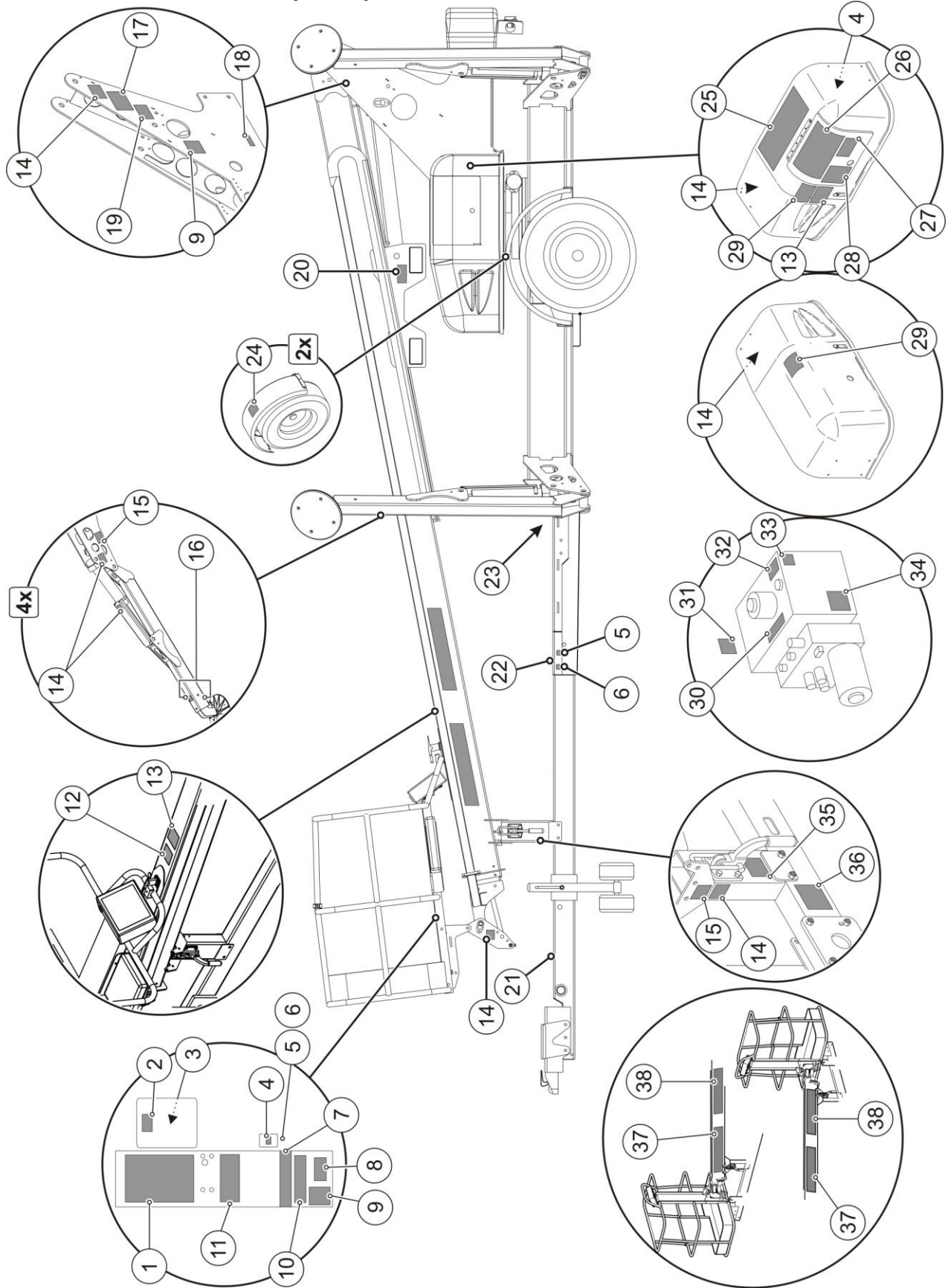


---

 **SUMMIT**SERIES  
TRAILER-MOUNTED BOOMS™

B33-01-0090-07

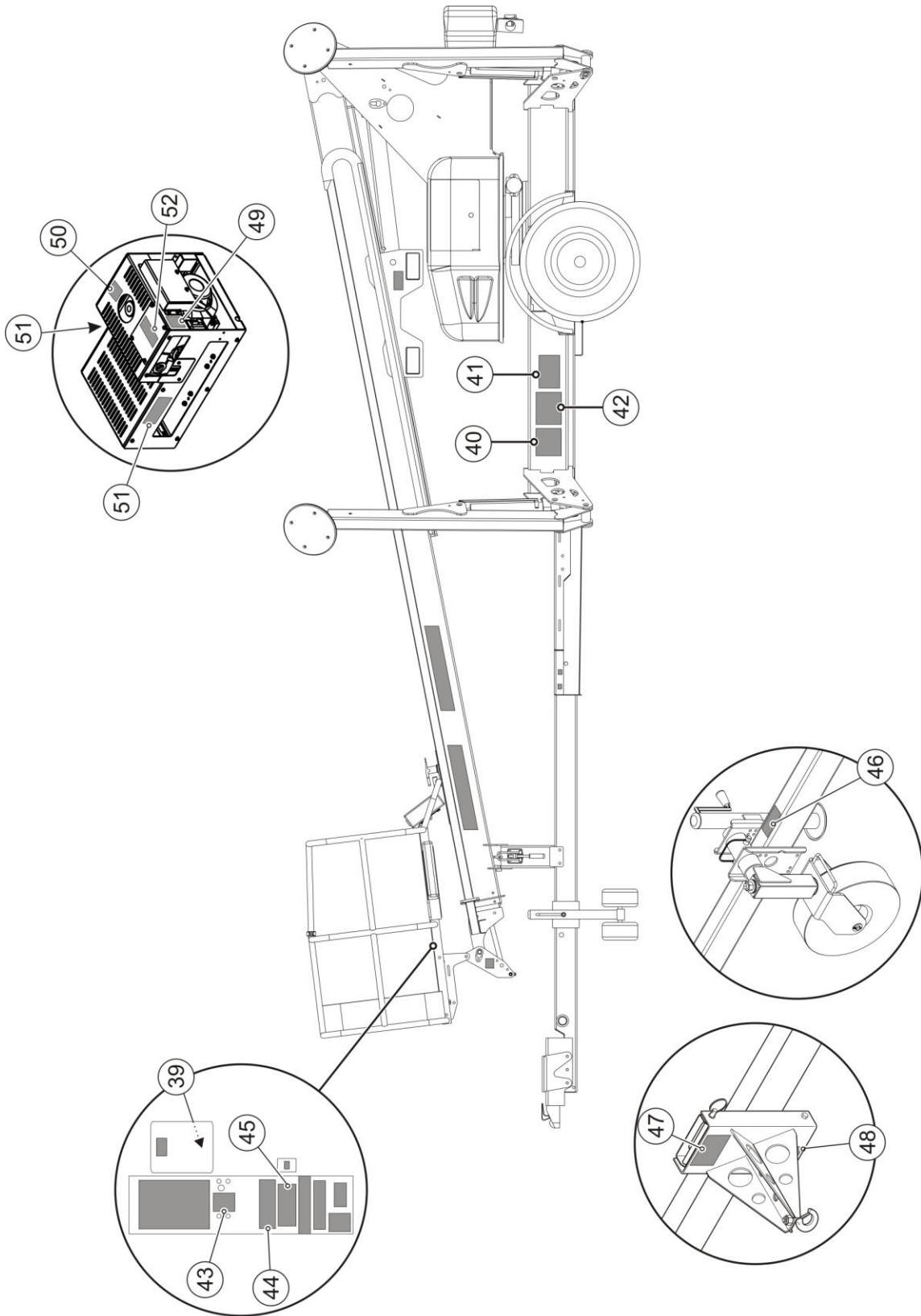
# DECAL REPLACEMENT (ANSI)



**DECAL REPLACEMENT (ANSI)**

<b>B06-01-4002</b>		<b>DECAL KIT – Includes the following:</b>	
<b>ITEM NO.</b>	<b>PART NUMBER</b>	<b>DESCRIPTION</b>	<b>QTY.</b>
1	B06-00-0471	Decal - Danger - Main Instruction / Hazard - Platform	1
2	B06-00-0475	Decal - Warning - Read / Understand Manual	1
3	B06-00-0473	Decal - Notice - Operator Manual Missing	1
4	B06-00-0062	Decal - Notice - AC Power	2
5	B06-00-0530	Decal - Air - 120 PSI	2
6	B06-00-0531	Decal - Water - 3000 PSI	2
7	B06-00-0552	Decal – Notice Lanyard Attachment	1
8	0202-0523	Decal - Flag, Made In USA	1
9	B06-00-0476	Decal - Notice - Range of Motion - 3632T / HTT 13	2
10	B06-00-0474	Decal - Notice - Platform Maximum Load	1
11	B06-00-0491	Decal - Warning - Platform Operation - 3632T / HTT 13	1
12	B06-00-0493	Decal - Caution - Latch / Jack / Brake	1
13	B06-00-0550	Decal - Warning - Unhitch To Operate	2
14	B06-00-0405	Decal - Warning - Hand Pinch Point	16
15	B06-00-0521	Decal - Danger - Tip Over Hazard	6
16	B06-00-0404	Decal - Warning - Outrigger Crush Foot	8
17	B06-00-0482	Decal - Danger - Electrocution	2
18	B06-00-0037	Decal - "Lubricate Semi - Annually"	1
19	B06-00-0506	Decal - Notice - Emergency Lower	2
20	B06-00-0477	Decal - Warning - Fork Lift Use	2
21	B06-00-0542	Decal - Warning - Maximum Tow Speed 65	1
22	B06-00-0496	Decal - Caution - Generator Plate Maximum 200	1
23	B06-00-0478	Decal - Notice - AC Power Connection	1
24	B06-00-0543	Decal - Warning - Crush Hazard	2
25	B06-00-0505	Decal - Danger - Main Instruction / Hazard - Base	1
26	B06-00-0468	Decal - Warning - Ground Operating	2
27	B06-00-0484	Decal - Danger - Battery / Charger Instruction	1
28	B06-00-0034	Decal - Danger - Battery / Charger Safety	1
29	B06-00-0495	Decal - Caution - Compartment Access	2
30	B06-00-0504	Decal - Notice - Emergency Hand Pump	1
31	B06-00-0503	Decal - Notice - Handle Applications	1
32	B06-00-0068	Decal - Notice - Low Foam Hyd Oil	1
33	B06-00-0494	Decal - Notice - Contains Hazardous Material	1
34	B06-00-0541	Decal - Caution - Manual Rotate / Retract	1
35	B06-00-0481	Decal - Caution - Transport Latch	1
36	B06-00-0544	Decal - Warning - Tow Hazard 65 mph	2
37	B06-00-0161B	Decal - 'Haulotte BilJax' - 5in Black / Red on Clear	2
38	B06-00-0480	Decal - 3632T / HTT 13 -Black Clear Vinyl with Black Letters	2

# IDENTIFICATION PLATES & OPTIONAL EQUIPMENT (ANSI)



## IDENTIFICATION PLATES & OPTIONAL EQUIPMENT (ANSI)

### IDENTIFICATION PLATES

#### IDENTIFICATION PLATES (Used on all standard equipment)

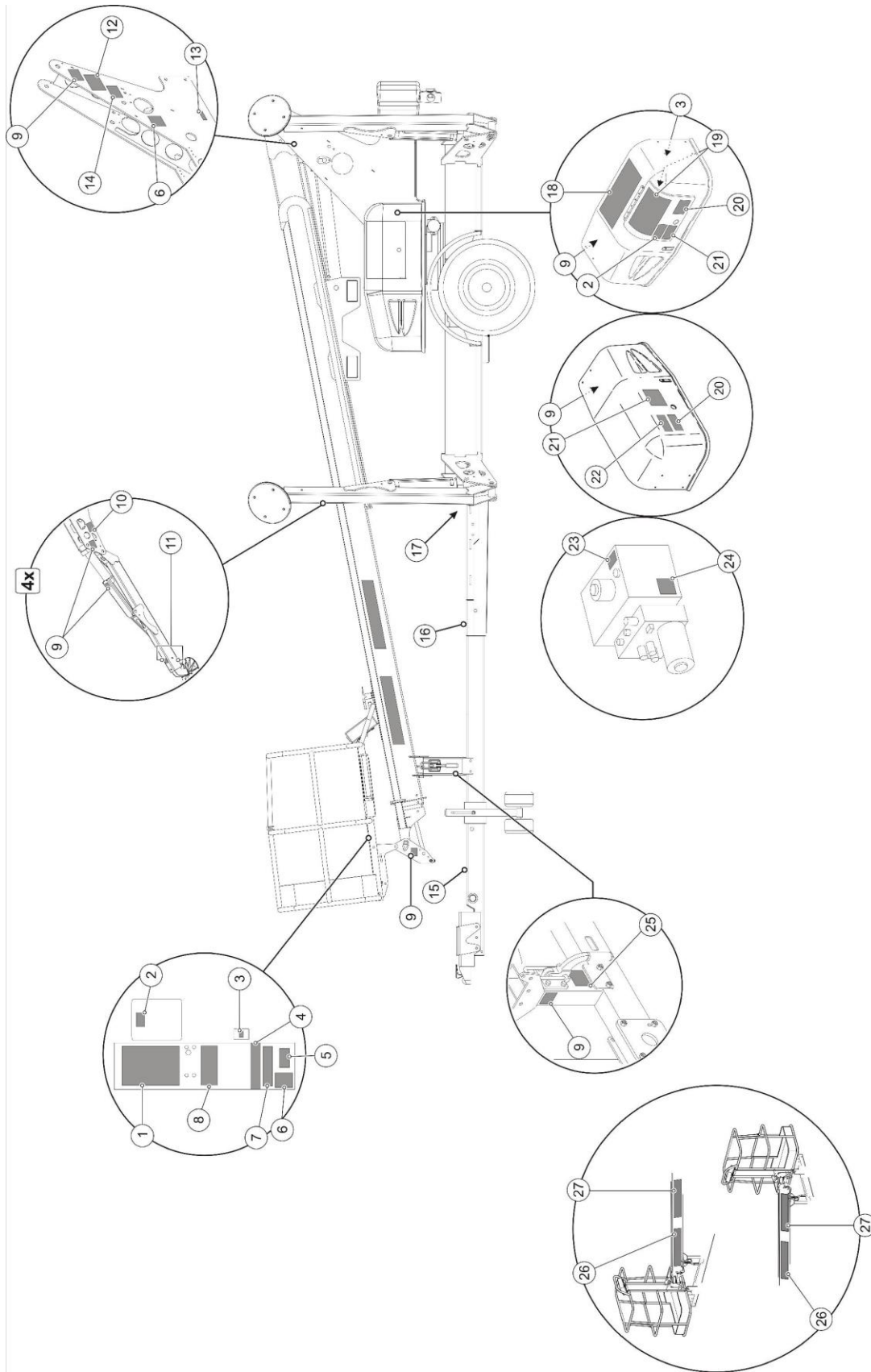
ITEM NO.	PART NUMBER	DESCRIPTION	QTY.
39	B06-00-0526	Key Ring Tag	1
40	B06-00-0524	Annual Inspection Plate	1
41	B06-00-0490	VIN Plate	1
42	B06-00-0647	Serial Number Plate	1

### REPLACEMENT DECALS FOR OPTIONAL EQUIPMENT

#### DECAL REPLACEMENT FOR OPTIONAL EQUIPMENT

ITEM NO.	PART NUMBER	DESCRIPTION	QTY.
43	B06-00-0485	Decal - Notice - Material Lift Set - up (Material Lift Option)	1
44	B06-00-0497	Decal - Notice - Material Lift Max 500 (Material Lift Option)	1
45	B06-00-0529	Decal - Notice - Platform Rotate (Manual Rotation Option)	1
46	B06-00-0527	Decal - Warning - Drive and Set (Drive and Set Option)	1
47	B06-00-0528	Decal - Notice - Drive and Set (Drive and Set Option)	1
48	B06-00-0553	Decal - Warning - Jockey Wheel (Drive and Set Option)	1
49	B06-00-0657	Decal - Notice - Fuel Shut-Off (Gas Engine Option)	1
50	B06-00-0487	Decal - Notice - Unleaded Fuel Only (Gas Engine Option)	1
51	B06-00-0495	Decal - Caution - Compartment Access (Gas Engine Option)	1
52	B06-00-0547	Decal - Warning - Engine Operate - Hot (Gas Engine Option)	1

# DECAL REPLACEMENT (CE)



**DECAL REPLACEMENT (CE)**

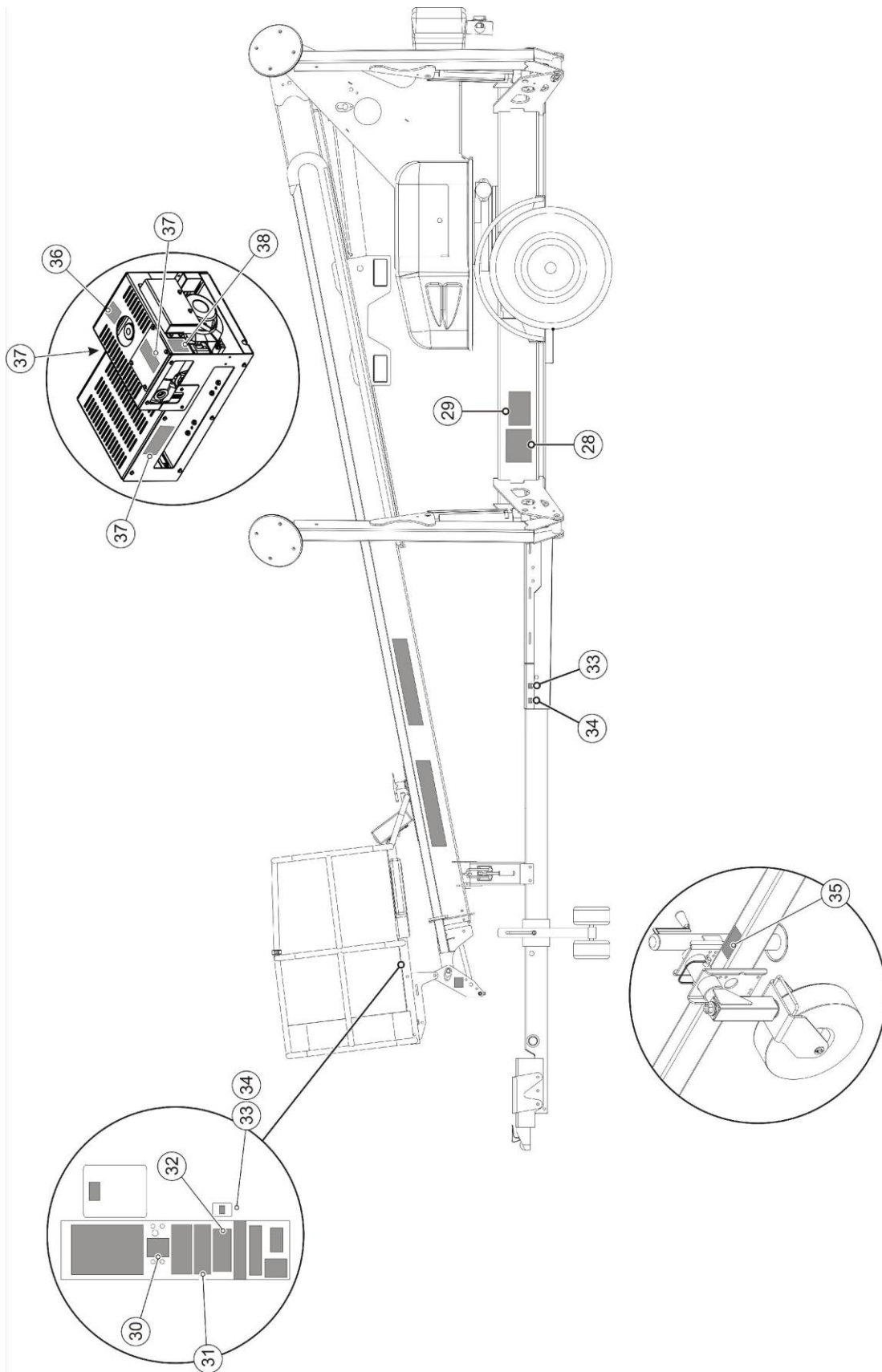
<b>B06-01-4002-DU</b>		<b>DECAL KIT - Dutch - Includes the following:</b>	
<b>B06-01-4002-EI</b>		<b>DECAL KIT - English International - Includes the following:</b>	
<b>B06-01-4002-FC</b>		<b>DECAL KIT - French (Canadian) - Includes the following:</b>	
<b>B06-01-4002-FR</b>		<b>DECAL KIT - French (European) - Includes the following:</b>	
<b>B06-01-4002-GE</b>		<b>DECAL KIT - German - Includes the following:</b>	
<b>B06-01-4002-IT</b>		<b>DECAL KIT - Italian - Includes the following:</b>	
<b>B06-01-4002-KO</b>		<b>DECAL KIT - Korean - Includes the following:</b>	
<b>B06-01-4002-RU</b>		<b>DECAL KIT - Russian - Includes the following:</b>	
<b>B06-01-4002-SW</b>		<b>DECAL KIT - Swedish - Includes the following:</b>	
<b>ITEM NO.</b>	<b>PART NUMBER</b>	<b>DESCRIPTION</b>	<b>QTY.</b>
1	B06-00-0471	Decal - Danger - Main Instruction / Hazard - Platform	1
2	B06-00-0475-CE	Decal - Warning - Read / Understand Manual	2
3	B06-00-0062-CE	Decal - Notice - AC Power	2
4	B06-00-0173-CE	Decal - Notice - Lanyard Attachment	1
5	0202-0523	Decal - Flag, Made In USA	1
6	B06-00-0476-CE	Decal - Notice - Range of Motion - 3632T	2
7	B06-00-0474-CE	Decal - Notice - Platform Maximum Load	1
8	B06-00-0491	Decal - Warning - Platform Operation - 3632T	1
9	B06-00-0405-CE	Decal - Warning - Hand Pinch Point	16
10	B06-00-0568-CE	Decal - Caution - Outrigger Pressure	4
11	B06-00-0404-CE	Decal - Warning - Outrigger Crush Foot	10
12	B06-00-0482-CE	Decal - Danger - Electrocution	2
13	B06-00-0037	Decal - "Lubricate Semi - Annually"	1
14	B06-00-0506-CE	Decal - Notice - Emergency Lower	2
15	B06-00-0542-CE	Decal - Warning - Maximum Tow Speed 65	1
16	B06-00-0496-CE	Decal - Caution - Generator Plate Maximum 200	1
17	B06-00-0478	Decal - Notice - AC Power Connection	1
18	B06-00-0505	Decal - Danger - Main Instruction / Hazard - Base	1
19	B06-00-0468	Decal - Warning - Ground Operation	2
20	B06-00-0034-CE	Decal - Danger - Battery / Charger Safety	2
21	B06-00-0495-CE	Decal - Caution - Compartment Access	2
22	B06-00-0572-CE	Decal - Caution - Read Parts and Service Manual	1
23	B06-00-0068-CE	Decal - Notice - Low Foam Hyd Oil	1
24	B06-00-0541	Decal - Caution - Manual Rotate / Retract	1
25	B06-00-0481	Decal - Caution - Transport Latch	1
26	B06-00-0161B	Decal - 'Haulotte BilJax' - 5in Black / Red on Clear	2
27	B06-00-0480-CE	Decal - HTT 13 - Black Clear Vinyl with Black Letters	2

Note: Decals without the CE suffix are available in the following languages:

-DE = German, -DU = Dutch, -FC = French (Canadian), -FR = French (European), -IT = Italian,  
 -KO = Korean, RU = Russian, -SP = Spanish, -SW = Swedish

To order add the appropriate suffix to the end of the part number.

# IDENTIFICATION PLATES & OPTIONAL EQUIPMENT (CE)



## IDENTIFICATION PLATES & OPTIONAL EQUIPMENT (CE)

### IDENTIFICATION PLATES

#### IDENTIFICATION PLATES (Used on all standard equipment)

ITEM NO.	PART NUMBER	DESCRIPTION	QTY.
28	B06-00-0647	Serial Number Plate	1
29	B06-00-0490	VIN Plate	1

### OPTIONAL EQUIPMENT

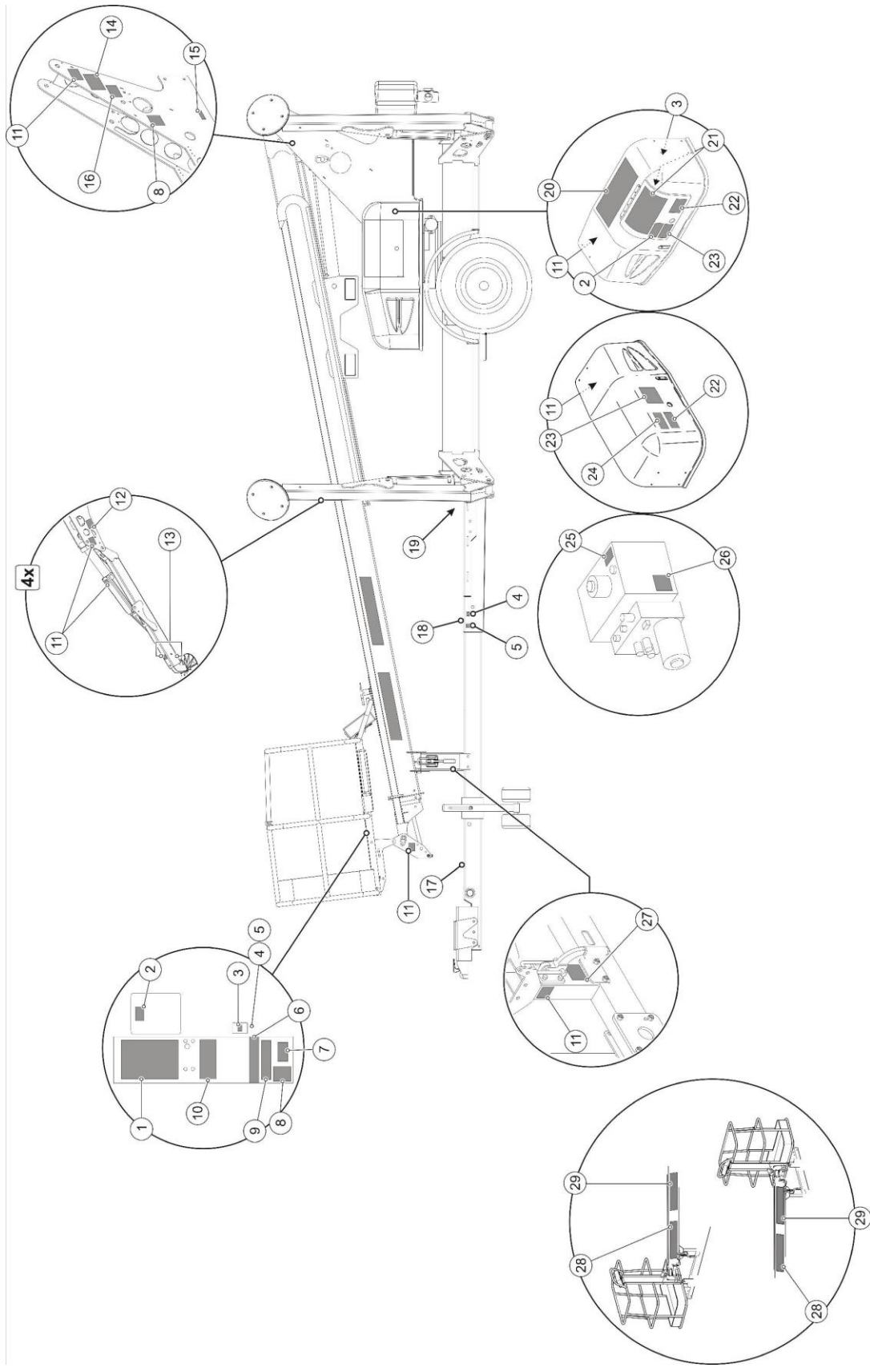
ITEM NO.	PART NUMBER	DESCRIPTION	QTY.
30	B06-00-0529-CE	Decal - Notice - Platform Rotate (Manual Rotation Option)	1
31	B06-00-0527	Decal - Warning - Drive and Set (Drive and Set Option)	1
32	B06-00-0528	Decal - Notice - Drive and Set (Drive and Set Option)	1
33	B06-00-0530	Decal - Air - 120 PSI (Air Line to Platform Option)	2
34	B06-00-0531	Decal - Water - 3000 PSI (Water Line to Platform Option)	2
35	B06-00-0553	Decal - Warning - Jockey Wheel (Drive and Set Option)	1
36	B06-00-0487	Decal - Notice - Unleaded Fuel Only (Gas Engine Option)	1
37	B06-00-0495-CE	Decal - Hazards - CE (Gas Engine Option)	3
38	B06-00-0657-CE	Decal - Fuel Shut-Off (Gas Engine Option)	1

Note: Decals without the CE suffix are available in the following languages:

-DE = German, -DU = Dutch, -FC = French (Canadian), -FR = French (European), -IT = Italian,  
 -KO = Korean, RU = Russian, -SP = Spanish, -SW = Swedish

To order add the appropriate suffix to the end of the part number.

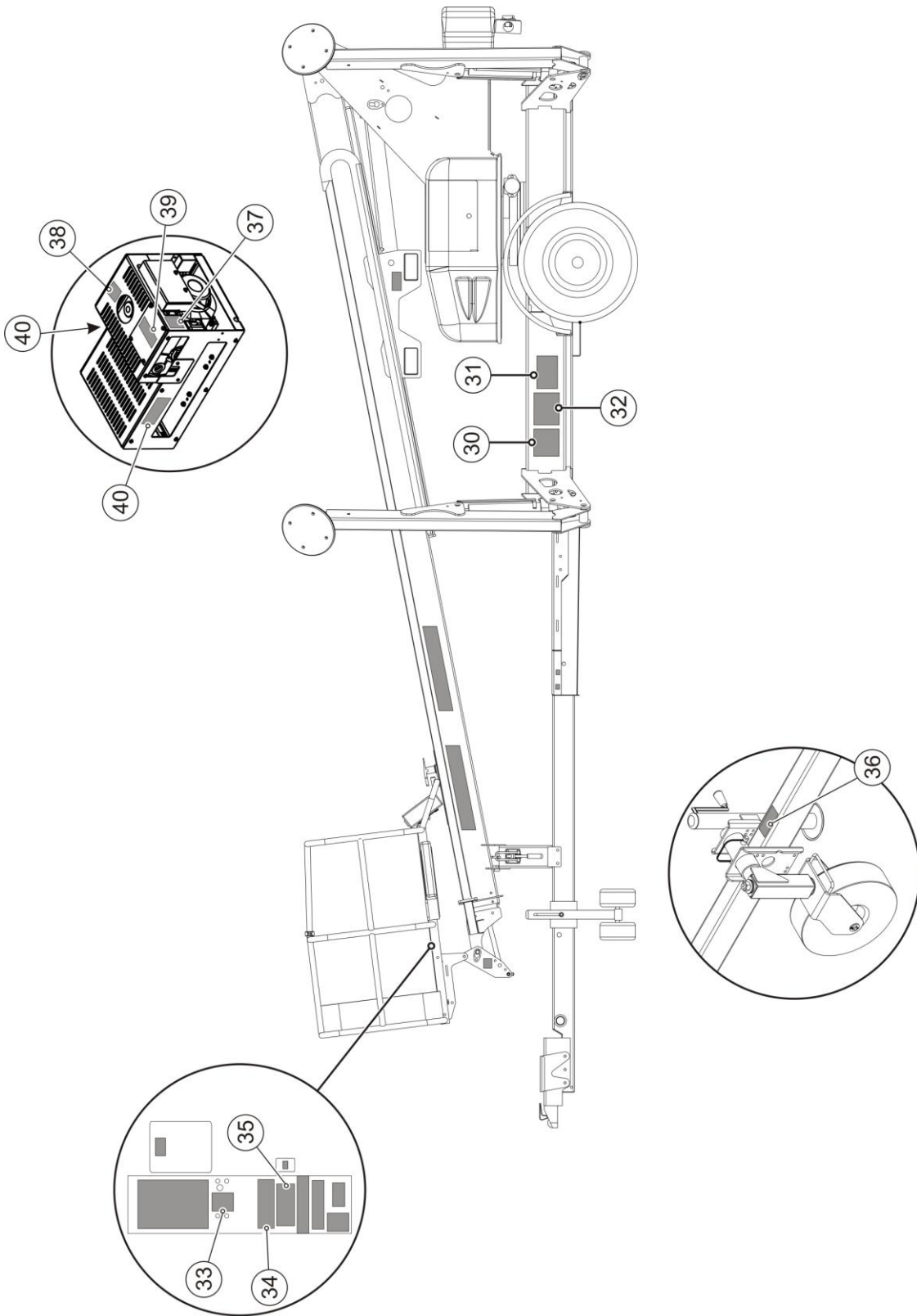
# DECAL REPLACEMENT (AUSTRALIA)



**DECAL REPLACEMENT (AUSTRALIA)**

<b>B06-01-4002-EI</b>		<b>DECAL KIT - English International - Includes the following:</b>	
<b>ITEM NO.</b>	<b>PART NUMBER</b>	<b>DESCRIPTION</b>	<b>QTY.</b>
1	B06-00-0471	Decal - Danger - Main Instruction / Hazard - Platform	1
2	B06-00-0475-CE	Decal - Warning - Read / Understand Manual	2
3	B06-00-0062-CE	Decal - Notice - AC Power	2
4	B06-00-0530	Decal - Air - 120 PSI	2
5	B06-00-0531	Decal - Water - 3000 PSI	2
6	B06-00-0173-CE	Decal - Notice - Lanyard Attachment	1
7	0202-0523	Decal - Flag, Made In USA	1
8	B06-00-0476-CE	Decal - Notice - Range of Motion - 3632T	2
9	B06-00-0474-CE	Decal - Notice - Platform Maximum Load	1
10	B06-00-0491	Decal - Warning - Platform Operation - 3632T	1
11	B06-00-0405-CE	Decal - Warning - Hand Pinch Point	16
12	B06-00-0568-CE	Decal - Caution - Outrigger Pressure	4
13	B06-00-0404-CE	Decal - Warning - Outrigger Crush Foot	10
14	B06-00-0482-CE	Decal - Danger - Electrocuting	2
15	B06-00-0037	Decal - "Lubricate Semi - Annually"	1
16	B06-00-0506-CE	Decal - Notice - Emergency Lower	2
17	B06-00-0542-CE	Decal - Warning - Maximum Tow Speed 65	1
18	B06-00-0496-CE	Decal - Caution - Generator Plate Maximum 200	1
19	B06-00-0478	Decal - Notice - AC Power Connection	1
20	B06-00-0505	Decal - Danger - Main Instruction / Hazard - Base	1
21	B06-00-0468	Decal - Warning - Ground Operation	2
22	B06-00-0034-CE	Decal - Danger - Battery / Charger Safety	2
23	B06-00-0495-CE	Decal - Caution - Compartment Access	2
24	B06-00-0572-CE	Decal - Caution - Read Parts and Service Manual	1
25	B06-00-0068-CE	Decal - Notice - Low Foam Hyd Oil	1
26	B06-00-0541	Decal - Caution - Manual Rotate / Retract	1
27	B06-00-0481	Decal - Caution - Transport Latch	1
28	B06-00-0161B	Decal - 'Haulotte BilJax' - 5in Black / Red on Clear	2
29	B06-00-0480-CE	Decal - HTT 13 - Black Clear Vinyl with Black Letters	2

# IDENTIFICATION PLATES & OPTIONAL EQUIPMENT (AUSTRALIA)



## IDENTIFICATION PLATES & OPTIONAL EQUIPMENT (AUSTRALIA)

### IDENTIFICATION PLATES

#### IDENTIFICATION PLATES (Used on all standard equipment)

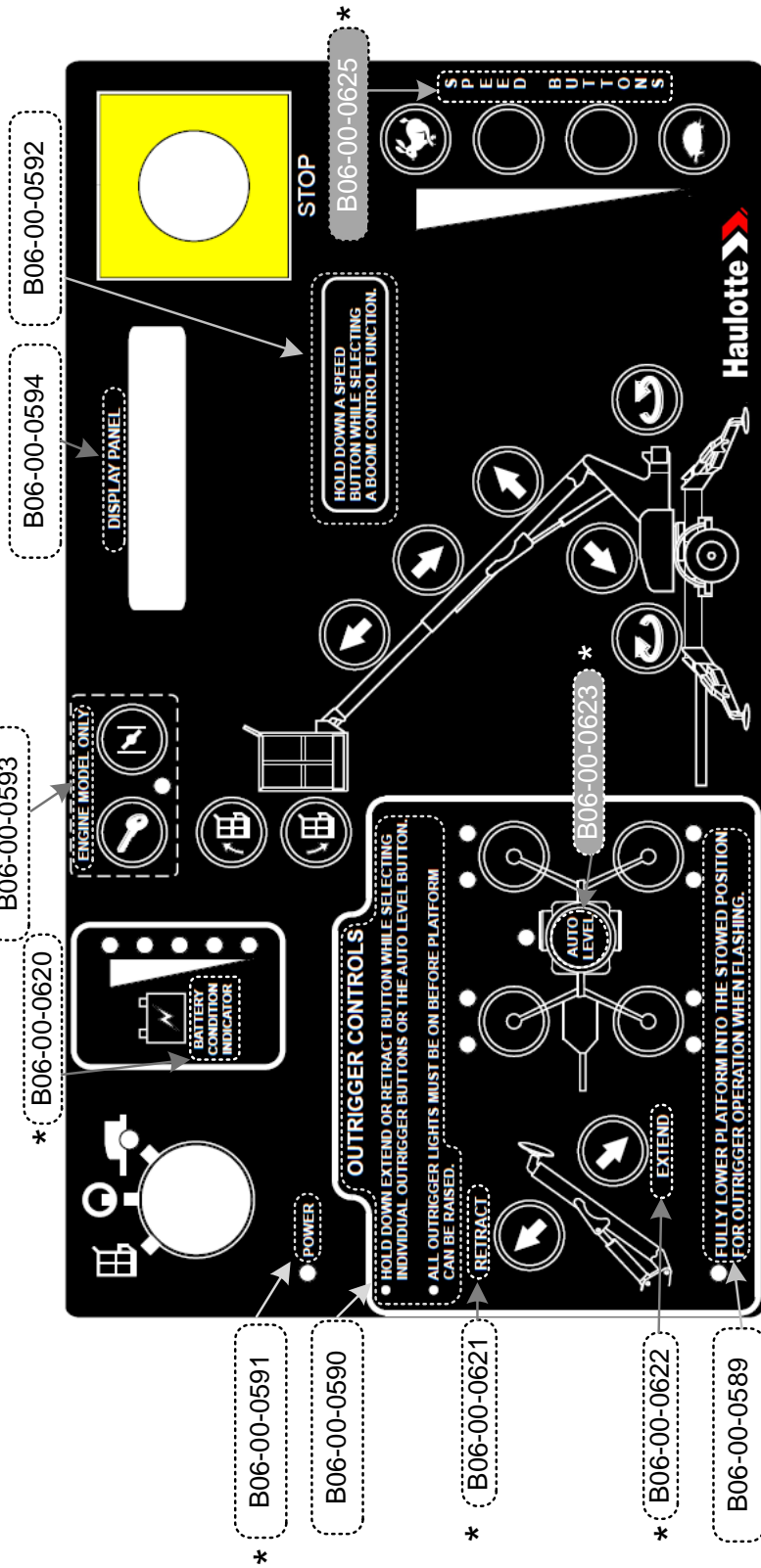
ITEM NO.	PART NUMBER	DESCRIPTION	QTY.
30	B06-00-0524	Annual Inspection Plate	1
31	B06-00-0490	VIN Plate	1
32	B06-00-0647	Serial Number Plate	1

### REPLACEMENT DECALS FOR OPTIONAL EQUIPMENT

ITEM NO.	PART NUMBER	DESCRIPTION	QTY.
33	B06-00-0529	Decal - Notice - Platform Rotate (Manual Rotation Option)	1
34	B06-00-0527	Decal - Warning - Drive and Set (Drive and Set Option)	1
35	B06-00-0528	Decal - Notice - Drive and Set (Drive and Set Option)	1
36	B06-00-0553	Decal - Warning - Jockey Wheel (Drive and Set Option)	1
37	B06-00-0657	Decal - Notice - Fuel Shut-Off (Gas Engine Option)	1
38	B06-00-0487	Decal - Notice - Unleaded Fuel Only (Gas Engine Option)	1
39	B06-00-0547	Decal - Warning - Eng Operate - Hot (Gas Engine Option)	1
40	B06-00-0495	Decal - Caution - Compartment Access (Gas Engine Option)	2

# LANGUAGE DECALS FOR GROUND CONTROL BOX

Telescopic



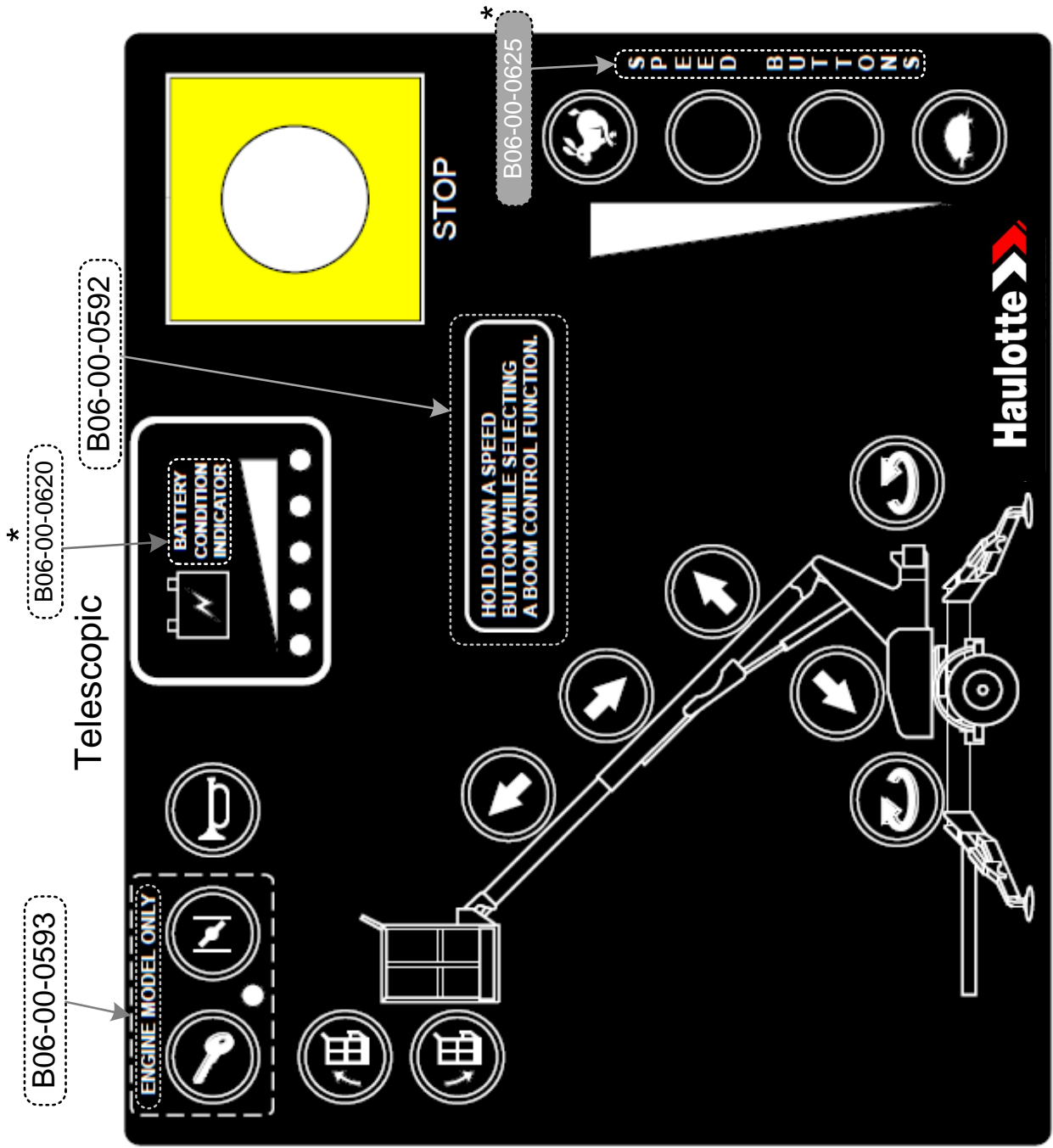
\* Not Needed For German Kit(GE)

**LANGUAGE DECALS FOR GROUND CONTROL BOX**

<b>PART NUMBER</b>	<b>DESCRIPTION</b>	<b>QTY.</b>
B06-01-4040-DE	Decal Kit - Ground Controls - German	1
B06-01-4040-DU	Decal Kit - Ground Controls - Dutch	1
B06-01-4040-FC	Decal Kit - Ground Controls - French (Canadian)	1
B06-01-4040-FR	Decal Kit - Ground Controls - French (European)	1
B06-01-4040-IT	Decal Kit - Ground Controls - Italian	1
B06-01-4040-KO	Decal Kit - Ground Controls - Korean	1
B06-01-4040-RU	Decal Kit - Ground Controls - Russian	1
B06-01-4040-SP	Decal Kit - Ground Controls - Spanish	1
B06-01-4040-SW	Decal Kit - Ground Controls - Swedish	1

\* Note: The image of the control box is provided to reference where the appropriate overlay decals should be placed.

# LANGUAGE DECALS FOR PLATFORM CONTROL BOX



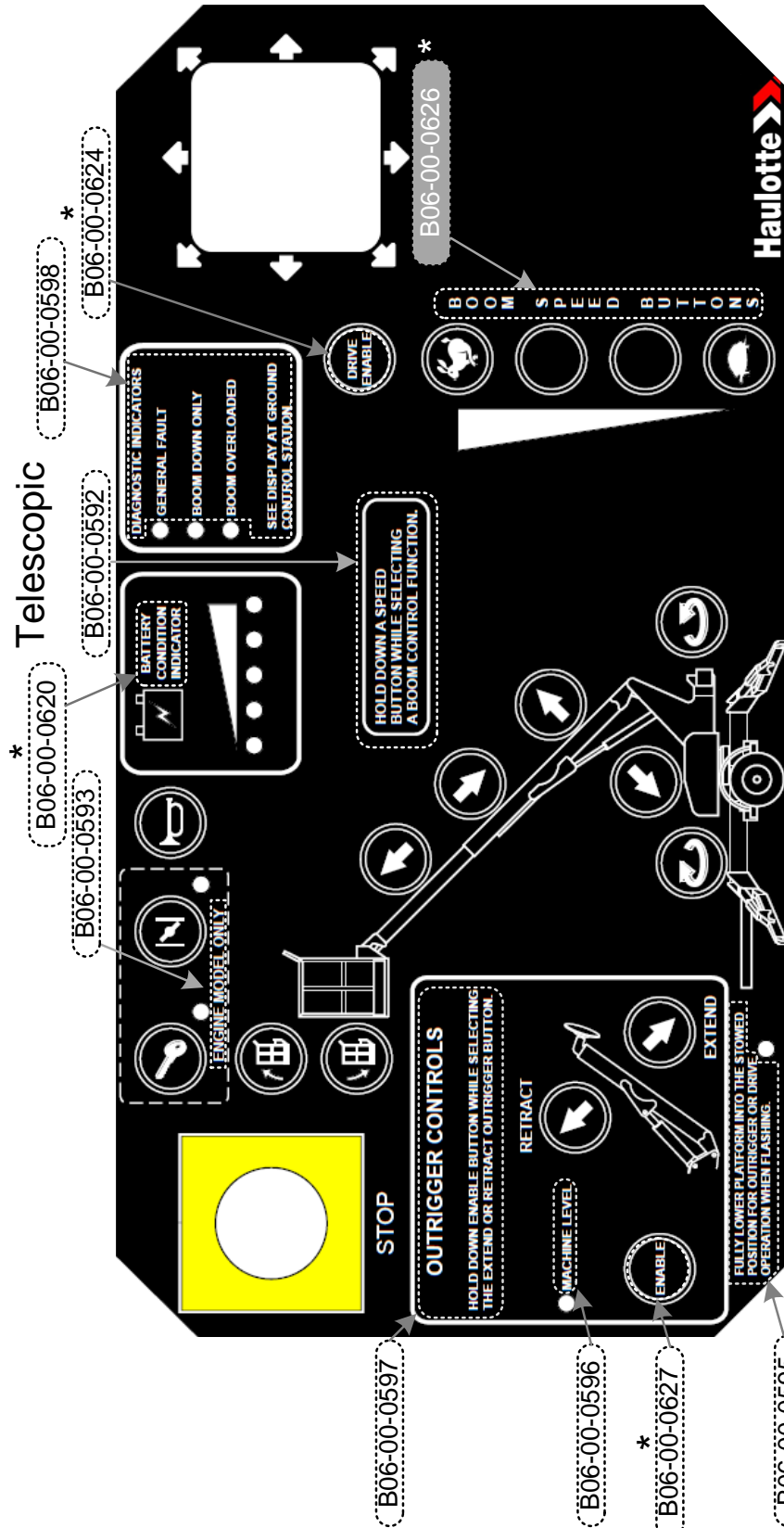
\*Not Needed For German Kit(GE)

**LANGUAGE DECALS FOR PLATFORM CONTROL BOX**

<b>PART NUMBER</b>	<b>DESCRIPTION</b>	<b>QTY.</b>
B06-01-4041-DE	Decal Kit - Platform Controls - German	1
B06-01-4041-DU	Decal Kit - Platform Controls - Dutch	1
B06-01-4041-FC	Decal Kit - Platform Controls - French (Canadian)	1
B06-01-4041-FR	Decal Kit - Platform Controls - French (European)	1
B06-01-4041-IT	Decal Kit - Platform Controls - Italian	1
B06-01-4041-KO	Decal Kit - Platform Controls - Korean	1
B06-01-4041-RU	Decal Kit - Platform Controls - Russian	1
B06-01-4041-SP	Decal Kit - Platform Controls - Spanish	1
B06-01-4041-SW	Decal Kit - Platform Controls - Swedish	1

\* Note: The image of the control box is provided to reference where the appropriate overlay decals should be placed.

# LANGUAGE DECALS FOR DRIVE & SET PLATFORM CONTROL BOX

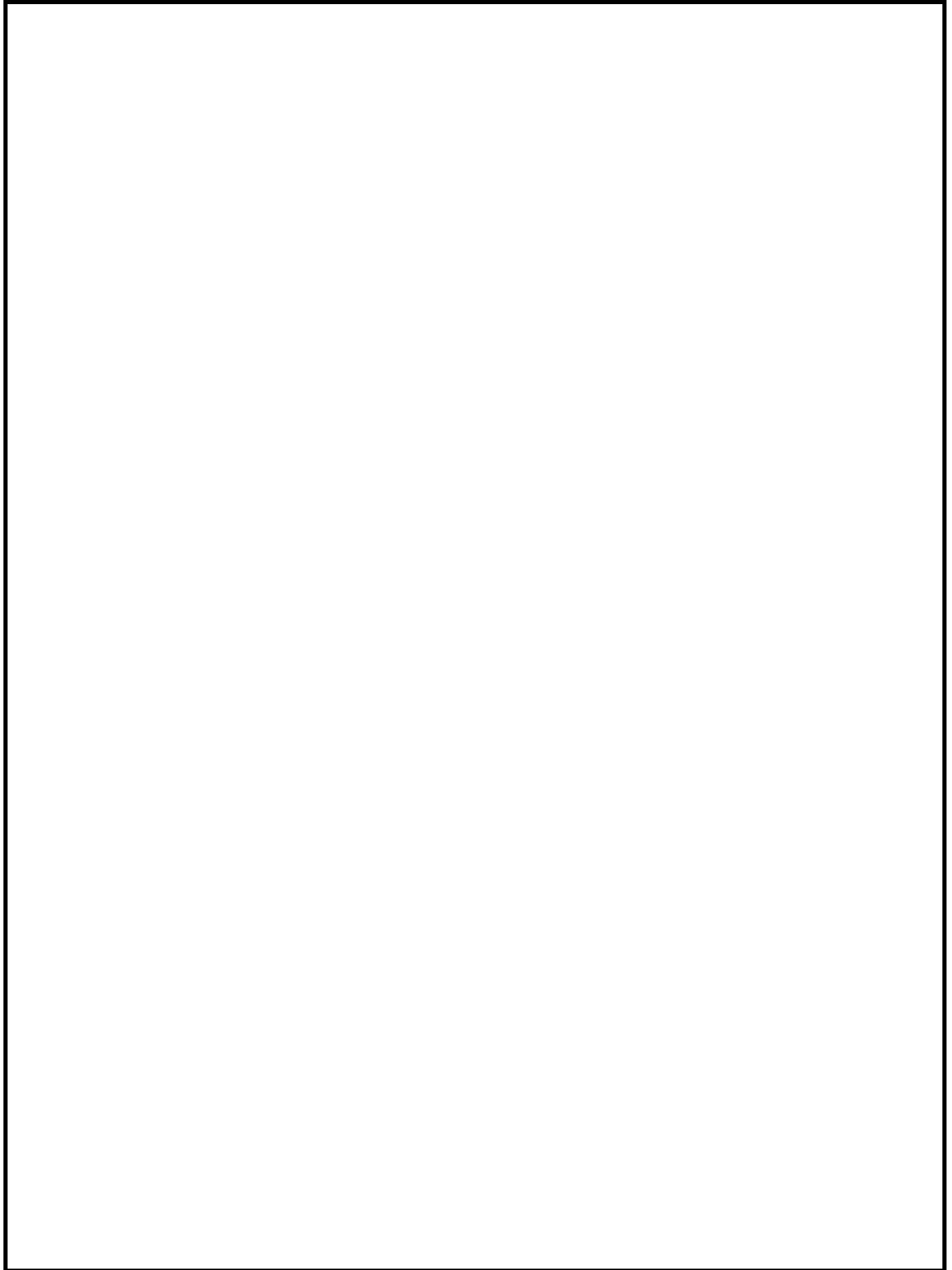


\*Not Needed For German Kit(GE)

## LANGUAGE DECALS FOR DRIVE & SET PLATFORM CONTROL BOX

PART NUMBER	DESCRIPTION	QTY.
B06-01-4042-DE	Decal Kit - Drive & Set Platform Controls - German	1
B06-01-4042-DU	Decal Kit - Drive & Set Platform Controls - Dutch	1
B06-01-4042-FC	Decal Kit - Drive & Set Platform Controls - French (Canadian)	1
B06-01-4042-FR	Decal Kit - Drive & Set Platform Controls - French (European)	1
B06-01-4042-IT	Decal Kit - Drive & Set Platform Controls - Italian	1
B06-01-4042-KO	Decal Kit - Drive & Set Platform Controls - Korean	1
B06-01-4042-RU	Decal Kit - Drive & Set Platform Controls - Russian	1
B06-01-4042-SP	Decal Kit - Drive & Set Platform Controls - Spanish	1
B06-01-4042-SW	Decal Kit - Drive & Set Platform Controls - Swedish	1

\* Note: The image of the control box is provided to reference where the appropriate overlay decals should be placed.

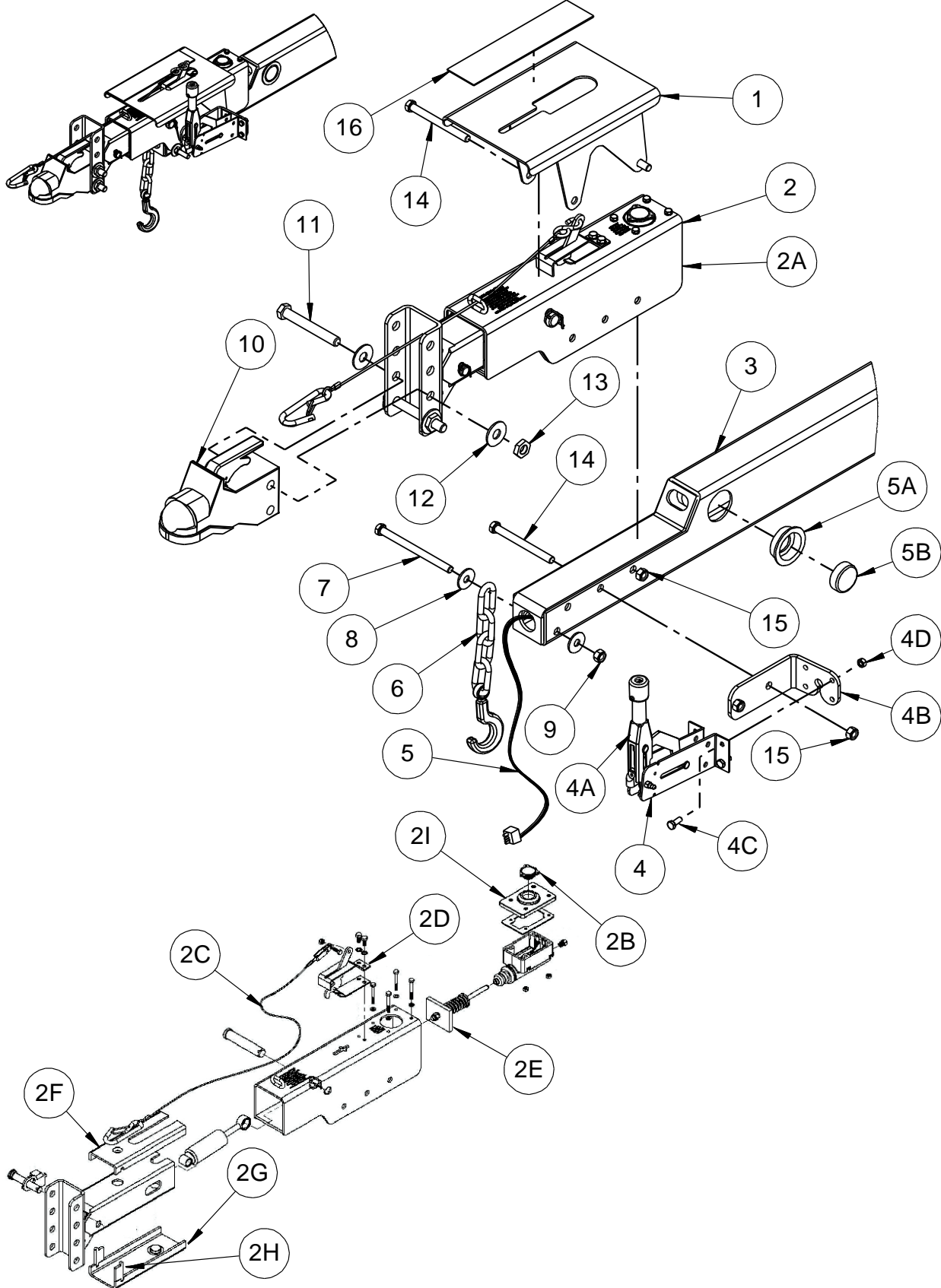


## 2 REPLACEMENT PARTS

Use only parts manufactured and/or authorized by Haulotte Group when replacing damaged components. See the back pages for replacement part ordering information.

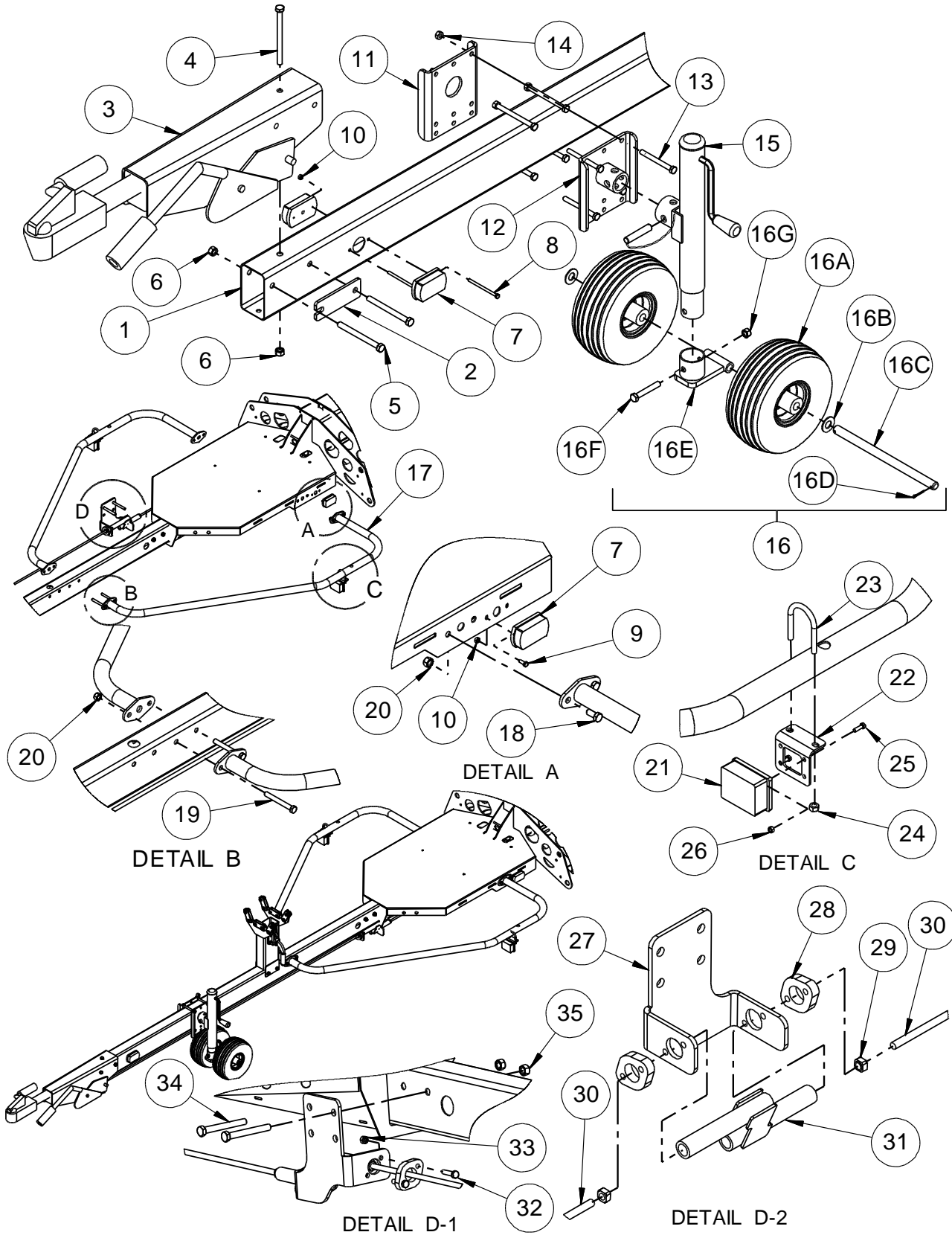
NOTE: Unless otherwise noted: High-strength Grade 5/Class 8.8 fasteners are used in the assembly of this equipment.

### TONGUE ASSEMBLY (ANSI)



<b>TONGUE ASSEMBLY (ANSI)</b>			
<b>ITEM NO.</b>	<b>PART NUMBER</b>	<b>DESCRIPTION</b>	<b>QTY.</b>
1	A-00172	Hitch Step Revised for Compatibility Effective 2007	1
2	B12-00-0211	Coupler, Hydraulic Surge Assembly Replaces B12-00-0169 Effective 2008	1
2A	B12-00-0218	Master Cylinder (Excludes Cap)	1
2B	B12-00-0219	Cylinder Fill Cap	1
2C	B12-00-0220	Safety Cable	1
2D	B12-00-0221	Safety Lever	1
2E	B12-00-0222	Push Rod Assembly	1
2F	B12-00-0223	Chanel Slide, Top	1
2G	B12-00-0224	Chanel Slide, Bottom	1
2H	B12-00-0225	Channel Spacer	2
2I	B12-00-0220	Cap for Master Cylinder	1
3	A-00170	Tongue Tube	1
4	B22-00-0074	Hand Brake Assembly	1
4A	A-00192	Brake Lever Replaces A-00167 Effective 2006	1
4B	A-02177	Brake Bracket	1
4C	0096-0010	Screw, Hex Head Cap - M8 x 20	4
4D	0096-0040	Hex Nut with Nylon Insert, M8	4
4E	B04-06-0033	Flat Washer - Not Shown	1
4F	B36-00-0088	Pin, Clevis - Not Shown	1
4G	0090-0144	Pin, Cotter - 3/32 x 3/4 - Not Shown Replaced B36-00-0089 Effective 2006	4
5	A-00198	Tail Light Kit	1
5A	B01-10-0239	Grommet, Marker Light	2
5B	B01-10-0297	Marker Light, Red	2
6	B03-00-0017	Safety Chain Assembly	2
7	0096-0186	Screw, Hex Head Cap - M12 x 160	1
8	0096-0076	Flat Washer, M12	2
9	0096-0042	Hex Nut with Nylon Insert, M12	1
10	B12-00-0066 B12-00-0068	2in Ball Coupler 2 5/16in Ball Coupler (Option) - Not Shown	1
11	0090-0878	Screw, Hex Head Cap - 5/8 -11 X 4 3/4	2
12	0090-0425	Flat Washer, SAE - 5/8	4
13	0090-0194	Hex Nut with Nylon Insert, 5/8-11	2
14	0096-0026	Screw, Hex Head Cap - M12 x 130	3
15	0096-0042	Hex Nut with Nylon Insert, M12	3
16	A-00185	Tape, Non-Skid -7 x 5 3/4	1

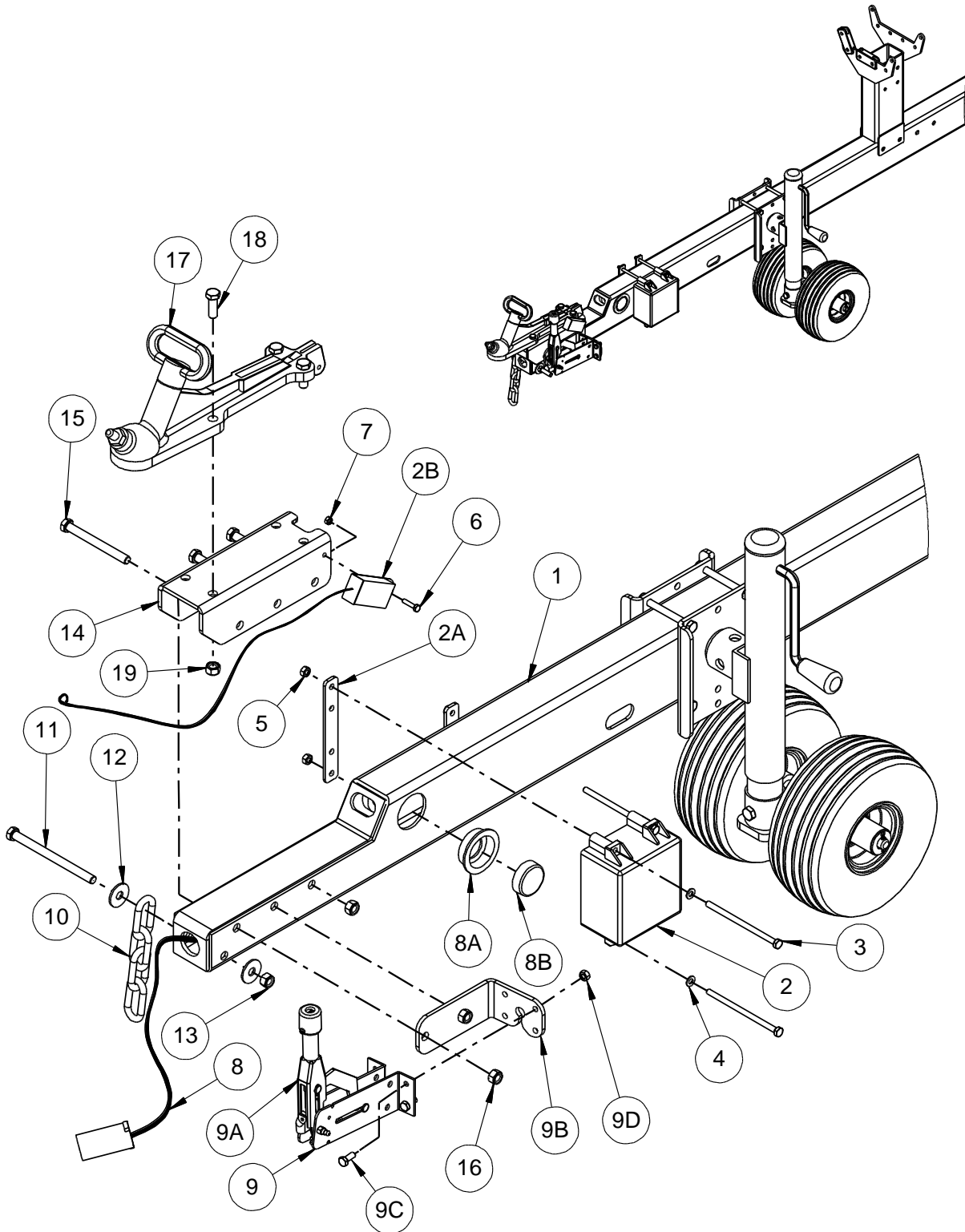
### TONGUE ASSEMBLY (CE)



**TONGUE ASSEMBLY (CE)**

ITEM NO.	PART NUMBER	DESCRIPTION	QTY.
1	A-03610	Tongue Tube	Ref.
2	A-03642	Side Shim	2
3	A-04662	Coupler - Replaces A-03616 Effective 2007	1
3A	B10-00-0157	Dampner - Not Shown	1
3B	B10-00-0147	Head Lock - Not Shown	1
4	0096-0122	Screw, Hex Head Cap - M12 x 150	1
5	0096-0026	Screw, Hex Head Cap - M12 x 130	2
6	0096-0042	Hex Nut with Nylon Insert, M12	3
7	A-03633	Side Marker Light - Amber	4
8	0096-0123	Screw, Hex Head Cap - M6 x 90	2
9	0096-0001	Screw, Hex Head Cap - M6 x 16	4
10	0096-0039	Hex Nut with Nylon Insert, M6	6
11	A-02166	Attach Plate	1
12	A-02167	Mount Assembly	1
13	0096-0105	Screw, Hex Head Cap - M10 x 100	4
14	0096-0041	Hex Nut with Nylon Insert, M10	4
15	A-02169	Jack Assembly - Replaces A-00144 Effective 2006	1
16	A-02160-K	Tire and Wheel Assembly	1
16A	A-02165	Tire and Wheel Only	2
16B	0096-0087	Flat Washer, M20	2
16C	A-02164	Axle	1
16D	0090-0147	Pin, Cotter - 1/8 x 1 1/4	2
16E	A-02160	Jack Wheel Weldment	1
16F	0096-0022	Screw, Hex Head Cap - M12 x 75	1
16G	0096-0042	Hex Nut with Nylon Insert, M12	1
17	A-03605	Bike Catcher Weldment	2
18	0096-0020	Screw, Hex Head Cap - M12 x 30	4
19	0096-0024	Screw, Hex Head Cap - M12 x 100	2
20	0096-0042	Hex Nut with Nylon Insert, M12	6
21	A-03643	Front Marker Light	2
22	A-03611	Bike Bar Light Bracket	2
23	0068-247	U-Bolt - 5/16-18	2
24	0090-0185	Hex Nut, Self-Locking, #5/16-18	4
25	0096-0125	Screw, Hex Head Cap - M5 x 16	4
26	0096-0126	Hex Nut with Nylon Insert, M5	4
27	A-03639	Guide Brake Link	1
28	A-03630	Slide Brake Link	2
29	A-01413	Weld Nut, M10	2
30	A-03640	Rod Threaded M10 X 1.5 X 92in	2
31	A-03637	Coupler Brake Link	1
32	0096-0056	Screw, Hex Head Cap - M8 x 30	4
33	0096-0040	Hex Nut with Nylon Insert - M8	4
34	0096-0024	Screw, Hex Head Cap - M12 x 100	2
35	0096-0042	Hex Nut with Nylon Insert, M12	2

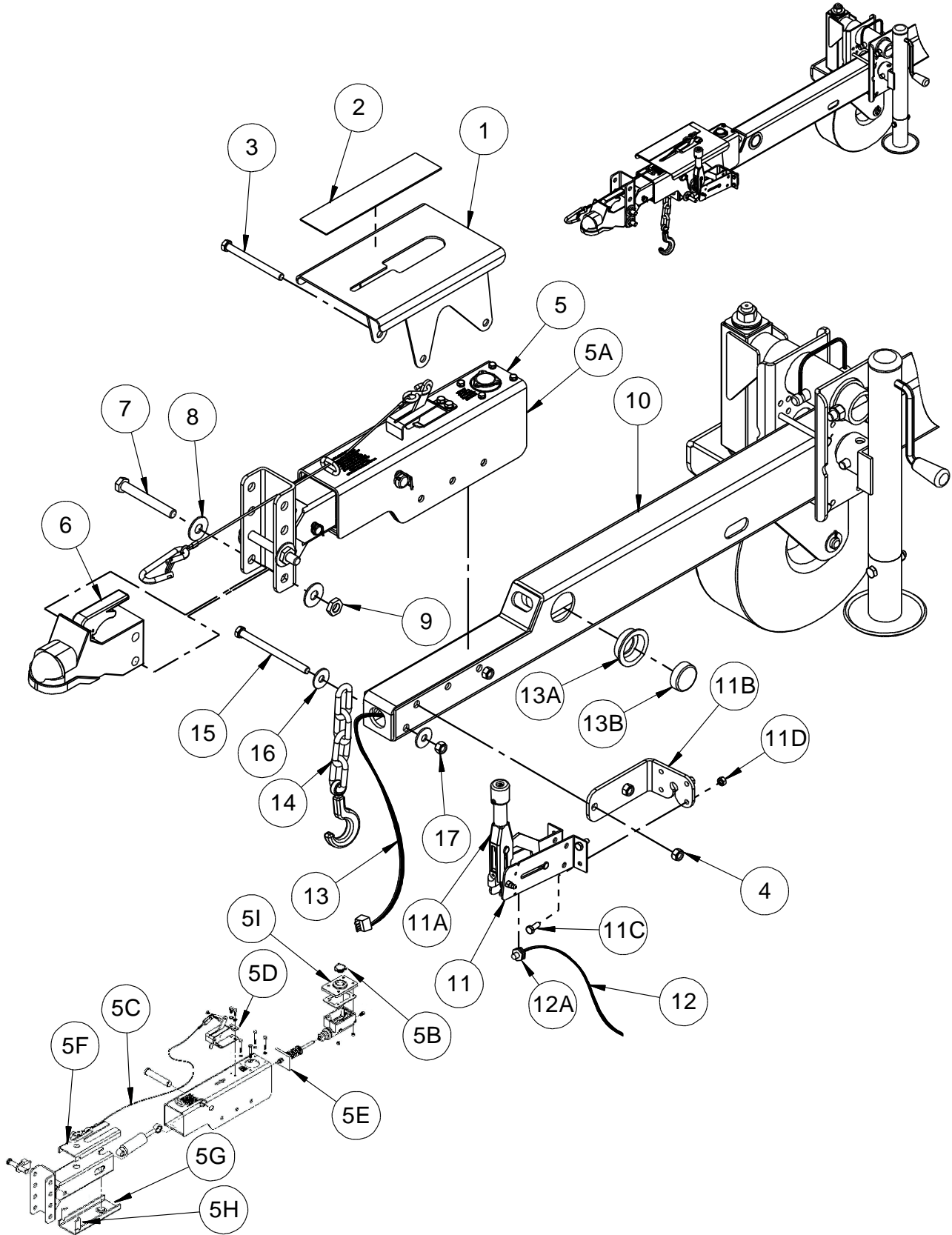
# TONGUE ASSEMBLY (AUSTRALIA)



## TONGUE ASSEMBLY (AUSTRALIA)

ITEM NO.	PART NUMBER	DESCRIPTION	QTY.
1	A-00170	Tongue Tube	Ref.
2	B01-10-0163	5 Amp Battery and Battery Charger	1
2A	B07-06-5865	Strap, Mount - Break Away	2
2B	B01-02-0062	Brake-Away Switch	1
3	0096-0103	Screw, Hex Head Cap - M8 x 140	4
4	0096-0104	Flat Washer, M8	4
5	0096-0040	Hex Nut with Nylon Insert, M8	4
6	0096-0004	Screw, Hex Head Cap - M6 x 25	1
7	0096-0039	Hex Nut with Nylon Insert, M6	1
8	A-03692	Harness, Australian Trailer Lights	1
8A	B01-10-0239	Grommet, Marker Light	2
8B	B01-10-0297	Marker Light, Red	2
9	B22-00-0074	Hand Brake Assembly	1
9A	A-00192	Brake Lever Replaces A-00167 Effective 2006	1
9B	A-02177	Brake Bracket	1
9C	0096-0010	Screw, Hex Head Cap - M8 x 20	4
9D	0096-0040	Hex Nut with Nylon Insert, M8	4
9E	B04-06-0033	Flat Washer - Not Shown	1
9F	B36-00-0088	Pin, Clevis - Not Shown	1
9G	0090-0144	Pin, Cotter - 3/32 x 3/4 - Not Shown Replaces B36-00-0089 Effective 2006	4
10	B40-00-0040	Safety Chain	2
11	0096-0186	Screw, Hex Head Cap - M12 x 160	1
12	0096-0076	Flat Washer, M12	2
13	0096-0042	Hex Nut with Nylon Insert, M12	1
14	A-01134	Coupler Bottom	1
15	0096-0025	Screw, Hex Head Cap - M12 x 120	3
16	0096-0042	Hex Nut with Nylon Insert, M12	3
17	-	Coupler - Please Contact a Haulotte Australia Service Center	1
18	0096-0176	Screw, Hex Head Cap - M12 x 35	4
19	0096-0042	Hex Nut with Nylon Insert, M12	4
20	B01-09-0104	Butt Splice (Heat Shrink) - Not Shown	3

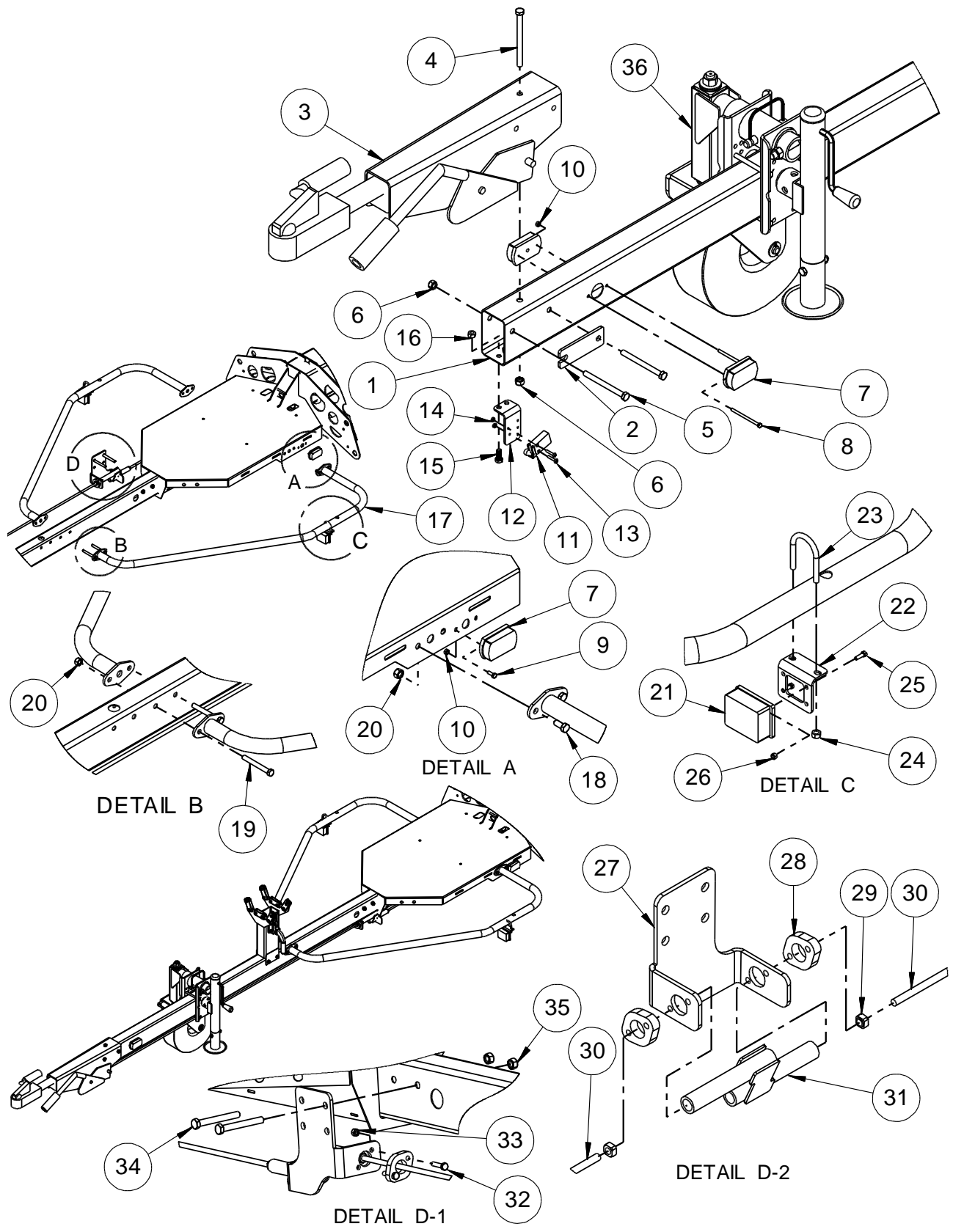
### TONGUE ASSEMBLY FOR DRIVE & SET OPTION (ANSI)



**TONGUE ASSEMBLY FOR DRIVE & SET OPTION (ANSI)**

ITEM NO.	PART NUMBER	DESCRIPTION	QTY.
1	A-00172	Hitch Step - Revised for Compatibility Effective 2007	1
2	A-00185	Tape, Non-Skid -7 x 5 3/4	1
3	0096-0026	Screw, Hex Head Cap - M12 x 130	3
4	0096-0042	Hex Nut with Nylon Insert, M12	3
5	B12-00-0211	Coupler, Hydraulic Surge Assembly Replaces B12-00-0169 Effective 2008	Ref
5A	B12-00-0218	Master Cylinder (Excludes Cap)	1
5B	B12-00-0219	Cylinder Fill Cap	1
5C	B12-00-0220	Safety Cable	1
5D	B12-00-0221	Safety Lever	1
5E	B12-00-0222	Push Rod Assembly	1
5F	B12-00-0223	Chanel Slide, Top	1
5G	B12-00-0224	Chanel Slide, Bottom	1
5H	B12-00-0225	Channel Spacer	2
5I	B12-00-0220	Cap for Master Cylinder	1
6	B12-00-0066 B12-00-0068	2in Ball Coupler 2 5/16in Ball Coupler (Option) - Not Shown	1
7	0090-0878	Screw, Hex Head Cap - 5/8 -11 X 4 3/4	2
8	0090-0425	Flat Washer, SAE - 5/8	4
9	0090-0194	Hex Nut with Nylon Insert, 5/8-11	2
10	A-00170	Tongue Tube	1
11	B22-00-0074	Hand Brake Assembly	1
11A	A-00192	Brake Lever Replaces A-00167 Effective 2006	1
11B	A-02177	Brake Bracket	1
11C	0096-0010	Screw, Hex Head Cap - M8 x 20	4
11D	0096-0040	Hex Nut with Nylon Insert, M8	4
11E	B04-06-0033	Flat Washer - Not Shown	1
11F	B36-00-0088	Pin, Clevis - Not Shown	1
11G	0090-0144	Pin, Cotter - 3/32 x 3/4 - Not Shown Replaced B36-00-0089 Effective 2006	4
12	A-00942	Brake Switch Assembly	1
12A	B01-03-0077	Switch, Brake NO & NC	1
12B	B01-09-0093	Seal, Wire - 16/18 Gauge - Green - Not Shown	2
12C	B01-09-0091	Terminal, Female - 16/18 Gage - Not Shown	2
12D	B01-09-0092	Connector Assembly - 2 Female - Not Shown	1
12E	B00-00-0170	Wire Casing - Not Shown	1
13	A-00198	Tail Light Kit	1
13A	B01-10-0239	Grommet, Marker Light	2
13B	B01-10-0297	Marker Light, Red	2
14	B03-00-0017	Safety Chain Assembly	2
15	0096-0186	Screw, Hex Head Cap - M12 x 160	1
16	0096-0076	Flat Washer, M12	2
17	0096-0042	Hex Nut with Nylon Insert, M12	1

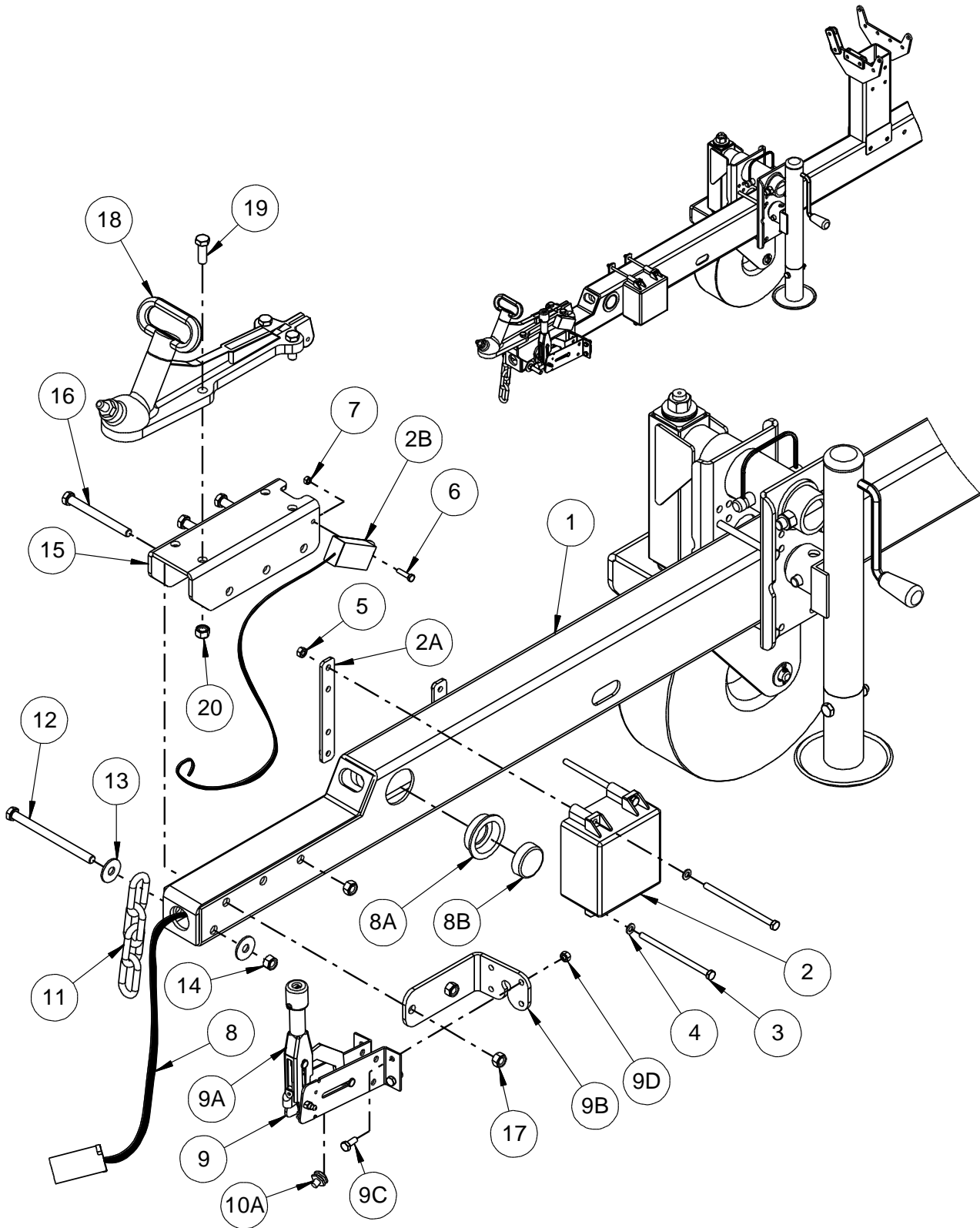
### TONGUE ASSEMBLY FOR DRIVE & SET OPTION (CE)



## TONGUE ASSEMBLY FOR DRIVE & SET OPTION (CE)

ITEM NO.	PART NUMBER	DESCRIPTION	QTY.
1	A-03610	Tongue Tube	Ref.
2	A-03642	Side Shim	2
3	A-04662	Coupler Replaces A-03616 Effective 2007	1
3A	B10-00-0157	Dampner - Not Shown	1
3B	B10-00-0147	Head Lock - Not Shown	1
4	0096-0122	Screw, Hex Head Cap - M12 x 150	1
5	0096-0026	Screw, Hex Head Cap - M12 x 130	2
6	0096-0042	Hex Nut with Nylon Insert, M12	3
7	A-03633	Side Marker Light - Amber	4
8	0096-0123	Screw, Hex Head Cap - M6 x 90	2
9	0096-0001	Screw, Hex Head Cap - M6 x 16	4
10	0096-0039	Hex Nut with Nylon Insert, M6	6
11	A-03647	Switch Assembly NC	1
12	A-03675	Brake Switch Mount	1
13	0090-0692	Screw, Round Head Machine - 8-32 X 1 1/4	2
14	0090-0181	Hex Nut with Nylon Insert - 8-32	2
15	0096-0014	Screw, Hex Head Cap - M10 x 20	2
16	0096-0041	Hex Nut with Nylon Insert, M10	2
17	A-03605	Bike Catcher Weldment	2
18	0096-0020	Screw, Hex Head Cap - M12 x 30	4
19	0096-0024	Screw, Hex Head Cap - M12 x 100	2
20	0096-0042	Hex Nut with Nylon Insert, M12	6
21	A-03643	Front Marker Light	2
22	A-03611	Bike Bar Light Bracket	2
23	0068-247	U-Bolt - 5/16-18	2
24	0090-0185	Hex Nut, Self-Locking, #5/16-18	4
25	0096-0125	Screw, Hex Head Cap - M5 x 16	4
26	0096-0126	Hex Nut with Nylon Insert, M5	4
27	A-03639	Guide Brake Link	1
28	A-03630	Slide Brake Link	2
29	A-01413	Weld Nut, M10	2
30	A-03640	Rod Threaded M10 X 1.5 X 92in	2
31	A-03637	Coupler Brake Link	1
32	0096-0056	Screw, Hex Head Cap - M8 x 30	4
33	0096-0040	Hex Nut with Nylon Insert - M8	4
34	0096-0024	Screw, Hex Head Cap - M12 x 100	2
35	0096-0042	Hex Nut with Nylon Insert, M12	2
36	A-02350	Dolly Wheel 15in. - Refer to the next page for the breakdown	Ref.

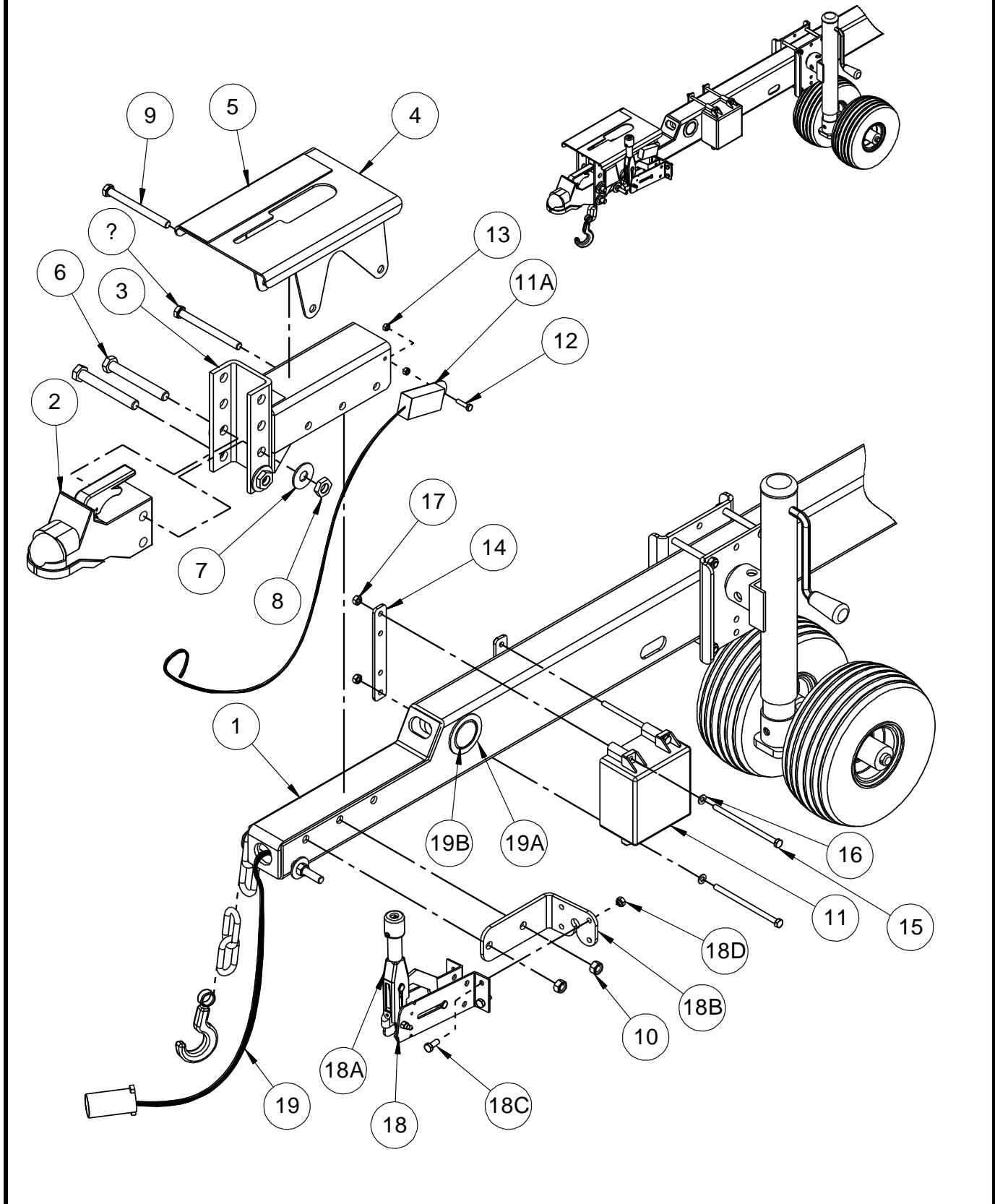
### TONGUE ASSEMBLY FOR DRIVE & SET OPTION (AUSTRALIA)



## TONGUE ASSEMBLY FOR DRIVE & SET OPTION (AUSTRALIA)

ITEM NO.	PART NUMBER	DESCRIPTION	QTY.
1	A-00170	Tongue Tube	1
2	B01-10-0163	5 Amp Battery and Battery Charger	1
2A	B07-06-5865	Strap, Mount - Break Away	2
2B	B01-02-0062	Brake-Away Switch	1
3	0096-0103	Screw, Hex Head Cap - M8 x 140	4
4	0096-0104	Flat Washer, M8	4
5	0096-0040	Hex Nut with Nylon Insert, M8	4
6	0096-0004	Screw, Hex Head Cap - M6 x 25	1
7	0096-0039	Hex Nut with Nylon Insert, M6	1
8	A-03692	Harness, Australian Trailer Lights	1
8A	B01-10-0239	Grommet, Marker Light	2
8B	B01-10-0297	Marker Light, Red	2
9	B22-00-0074	Hand Brake Assembly	1
9A	A-00192	Brake Lever Replaces A-00167 Effective 2006	1
9B	A-02177	Brake Bracket	1
9C	0096-0010	Screw, Hex Head Cap - M8 x 20	4
9D	0096-0040	Hex Nut with Nylon Insert, M8	4
9E	B04-06-0033	Flat Washer - Not Shown	1
9F	B36-00-0088	Pin, Clevis - Not Shown	1
9G	0090-0144	Pin, Cotter - 3/32 x 3/4 - Not Shown Replaces B36-00-0089 Effective 2006	4
10	A-00942	Brake Switch Assembly	1
10A	B01-03-0077	Switch, Brake NO & NC	1
10B	B01-09-0093	Seal, Wire - 16/18 Gauge - Green - Not Shown	2
10C	B01-09-0091	Terminal, Female - 16/18 Gage - Not Shown	2
10D	B01-09-0092	Connector Assembly - 2 Female - Not Shown	1
10E	B00-00-0170	Wire Casing - Not Shown	1
11	B40-00-0040	Safety Chain	2
12	0096-0186	Screw, Hex Head Cap - M12 x 160	1
13	0096-0076	Flat Washer, M12	2
14	0096-0042	Hex Nut with Nylon Insert, M12	1
15	A-01134	Coupler Bottom	1
16	0096-0025	Screw, Hex Head Cap - M12 x 120	3
17	0096-0042	Hex Nut with Nylon Insert, M12	3
18	-	Coupler - Please Contact a Haulotte Australia Service Center	1
19	0096-0176	Screw, Hex Head Cap - M12 x 35	4
20	0096-0042	Hex Nut with Nylon Insert, M12	4
21	B01-09-0104	Butt Splice (Heat Shrink) - Not Shown	3

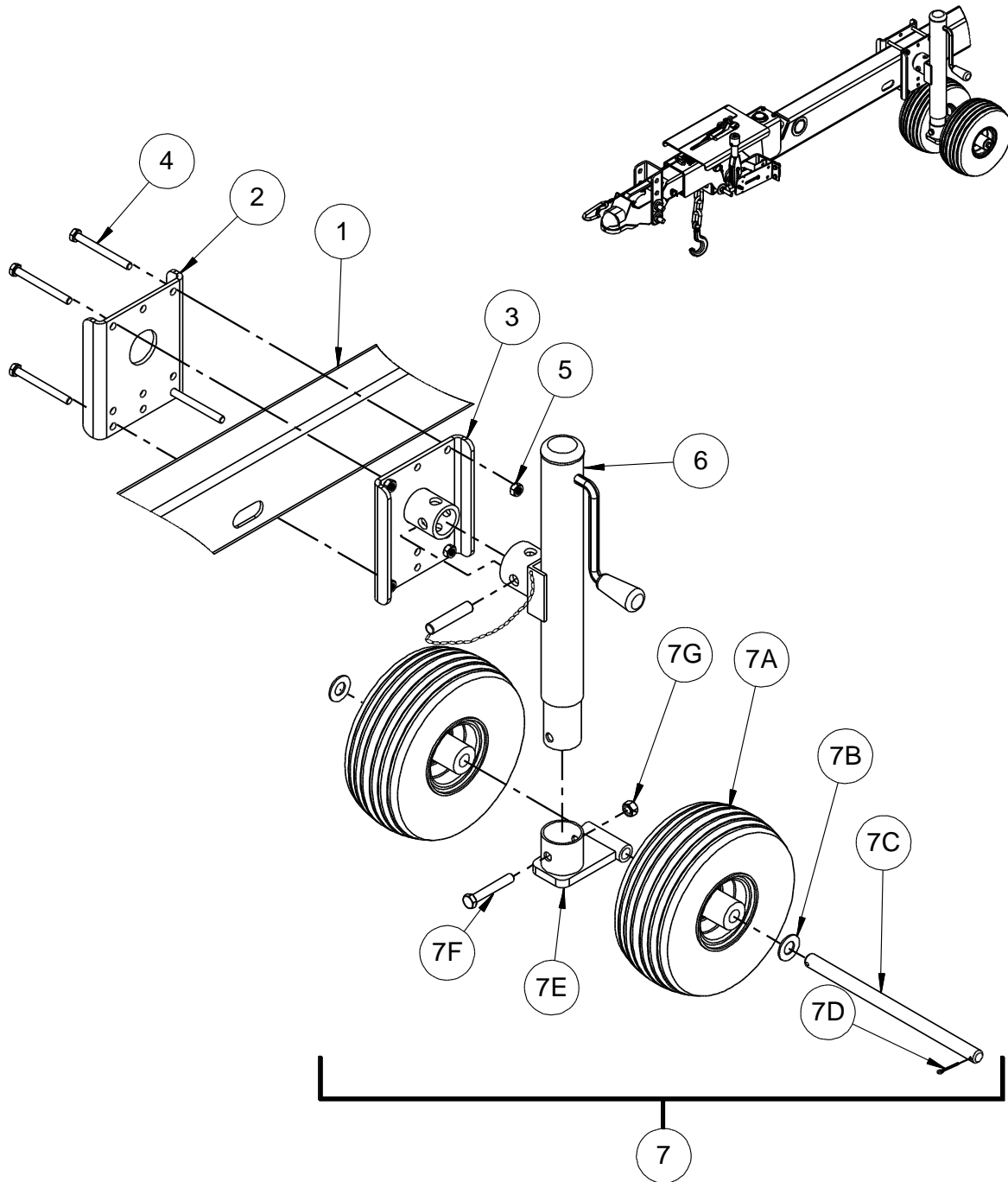
### TONGUE ASSEMBLY FOR ELECTRIC BRAKE OPTION



## TONGUE ASSEMBLY FOR ELECTRIC BRAKE OPTION

ITEM NO.	PART NUMBER	DESCRIPTION	QTY.
1	A-00170	Tongue Tube	Ref.
2	B12-00-0066 B12-00-0068	2in Ball Coupler 2 5/16in Ball Coupler (Option) - Not Shown	1
3	A-00196	Electric Brake Coupler	1
4	A-00172	Hitch Step Revised for Compatibility - Effective 2007	1
5	A-00185	Tape, Non-Skid -7 x 5 3/4	1
6	0090-0878	Screw, Hex Head Cap - 5/8 -11 X 4 3/4	2
7	0090-0425	Flat Washer, SAE - 5/8	4
8	0090-0194	Hex Nut with Nylon Insert, 5/8-11	2
9	0096-0026	Screw, Hex Head Cap - M12 x 130	3
10	0096-0042	Hex Nut with Nylon Insert, M12	3
11	B01-10-0163	5 Amp Battery and Battery Charger	1
11A	B01-02-0062	Brake-Away Switch	1
12	0096-0004	Screw, Hex Head Cap - M6 x 25	1
13	0096-0039	Hex Nut with Nylon Insert, M6	2
14	B07-06-5865	Strap, Mount - Break Away	2
15	0096-0103	Screw, Hex Head Cap - M8 x 140	4
16	0096-0104	Flat Washer, M8	4
17	0096-0040	Hex Nut with Nylon Insert, M8	4
18	B22-00-0074	Hand Brake Assembly	1
18A	A-00192	Brake Lever Replaces A-00167 Effective 2006	1
18B	A-02177	Brake Bracket	1
18C	0096-0010	Screw, Hex Head Cap - M8 x 20	4
18D	0096-0040	Hex Nut with Nylon Insert, M8	4
18E	B04-06-0033	Flat Washer - Not Shown	1
18F	B36-00-0088	Pin, Clevis - Not Shown	1
18G	0090-0144	Pin, Cotter - 3/32 x 3/4 - Not Shown	4
19	A-00782	Wire Harness,700ft with Electric Brake	1
19A	B01-10-0239	Grommet, Marker Light	2
19B	B01-10-0297	Marker Light, Red	2
20	B03-00-0017	Safety Chain Assembly	2
21	B01-09-0104	Butt Splice (Heat Shrink) - Not Shown	3

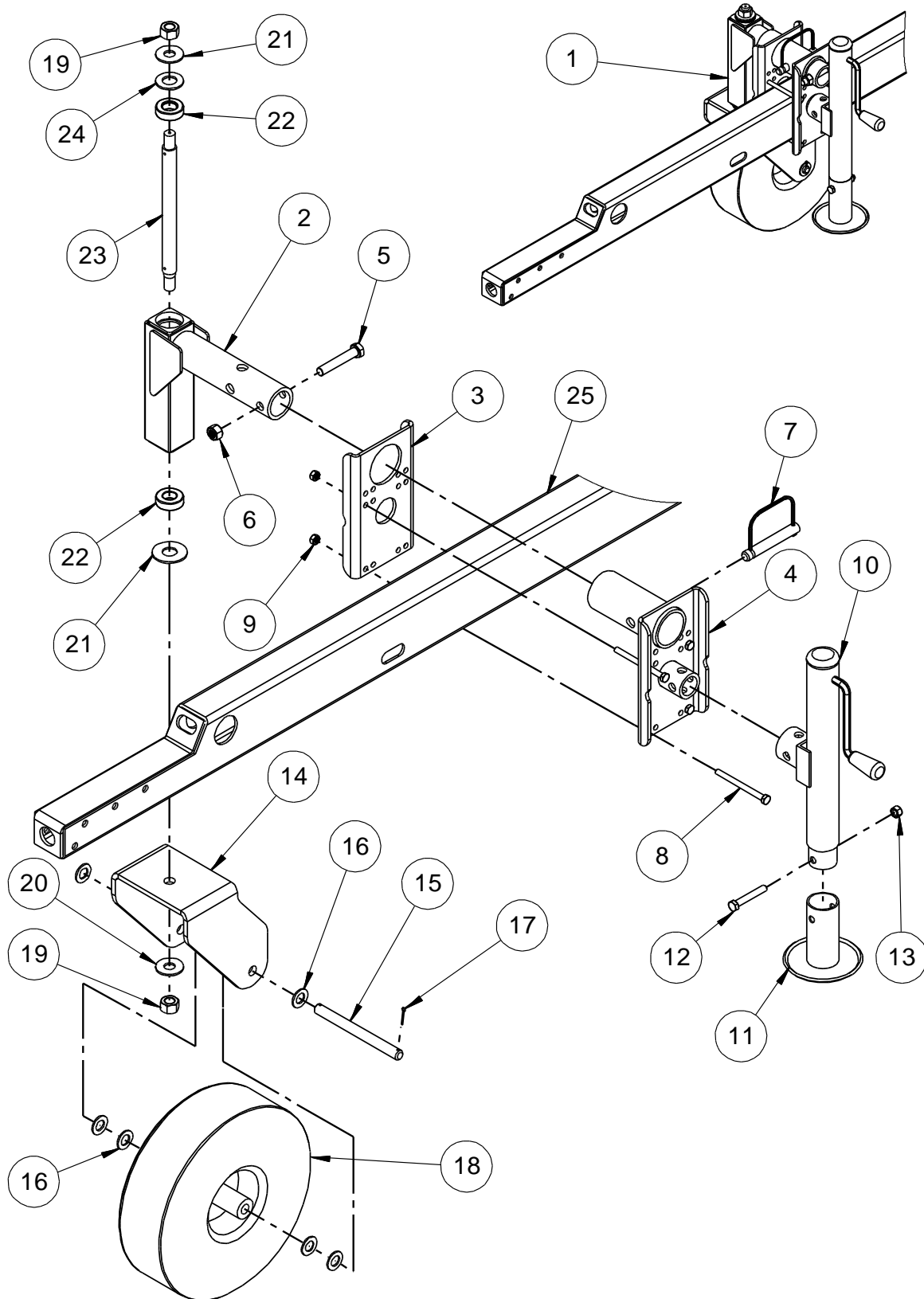
### DOLLY WHEEL ASSEMBLY



## DOLLY WHEEL ASSEMBLY

ITEM NO.	PART NUMBER	DESCRIPTION	QTY.
1	A-00170	Tongue Tube	1
2	A-02166	Attach Plate	1
3	A-02167	Mount Assembly	1
4	0096-0105	Screw, Hex Head Cap - M10 x 100 Replaces 0096-0075 Effective 2006	4
5	0096-0041	Hex Nut with Nylon Insert, M10	4
6	A-02169	Jack Assembly Replaces A-00144 Effective 2006	1
7	A-02160-K	Tire and Wheel Assembly	1
7A	A-02165	Tire and Wheel Only	2
7B	0096-0087	Flat Washer, M20	2
7C	A-02164	Axle	1
7D	0090-0147	Pin, Cotter - 1/8 x 1 1/4	2
7E	A-02160	Jack Wheel Weldment	1
7F	0096-0022	Screw, Hex Head Cap - M12 x 75	1
7G	0096-0042	Hex Nut with Nylon Insert, M12	1

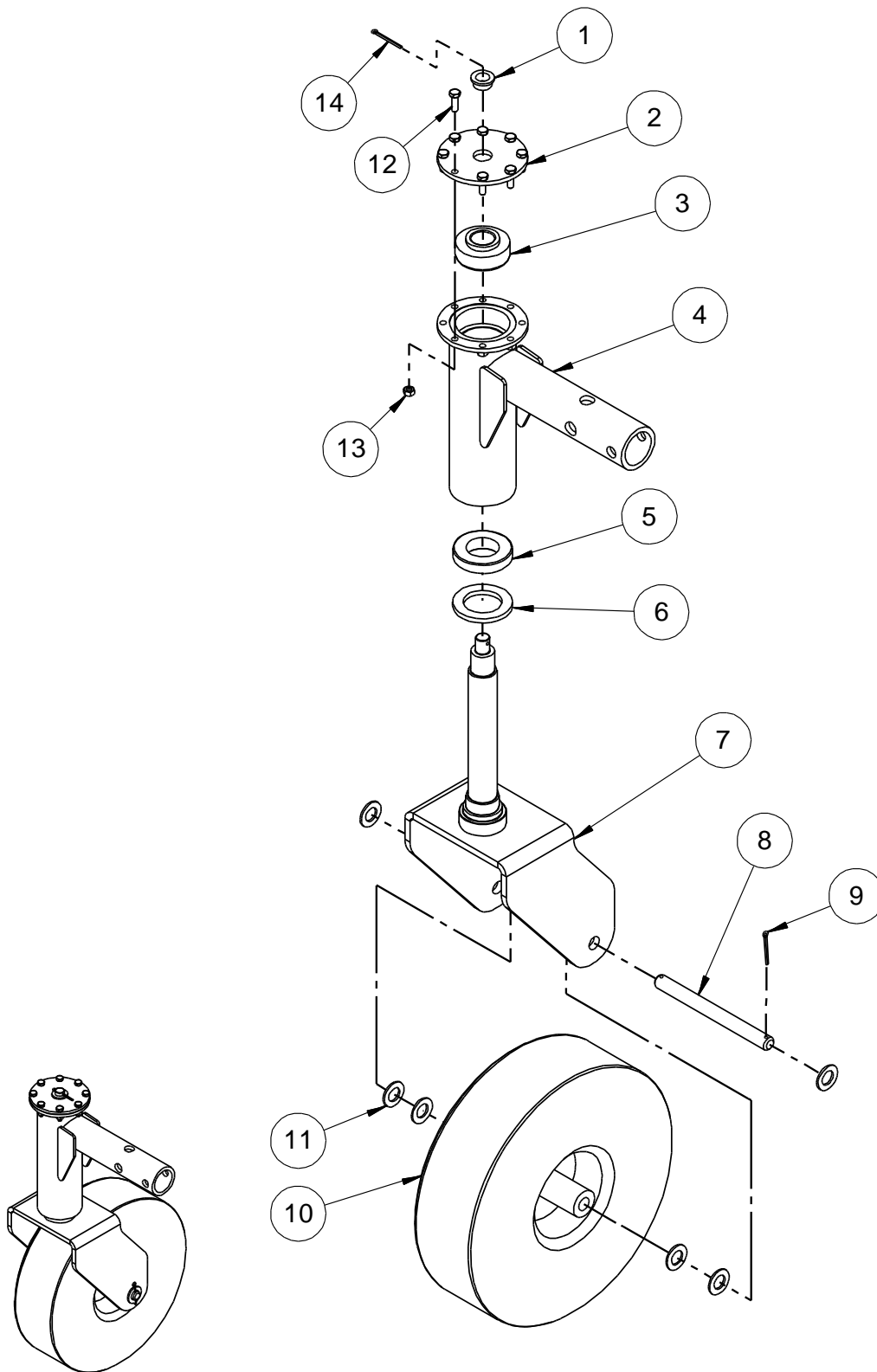
### DOLLY WHEEL ASSEMBLY FOR DRIVE & SET OPTION



## DOLLY WHEEL ASSEMBLY FOR DRIVE & SET OPTION

ITEM NO.	PART NUMBER	DESCRIPTION	QTY.
1	A-02350	Dolly Wheel 15in.	1
2	A-02359	Caster Mount	1
3	A-02351	Mount, Heavy Duty	1
4	A-02353	Attach Plate	1
5	0096-0035	Screw, Hex Head Cap - 16 X 90	1
6	0096-0044	Hex Nut with Nylon Insert - M16	1
7	0068-135	Lock Pin, Tension - 3/4 x 4	1
8	0096-0075	Screw, Hex Head Cap - M10 x 120	4
9	0096-0041	Hex Nut with Nylon Insert, M10	4
10	A-02169	Jack Assembly Replaces A-00144 Effective 2006	1
11	A-02354	Foot Pad	1
12	0096-0022	Screw, Hex Head Cap - M12 x 75	1
13	0096-0042	Hex Nut with Nylon Insert, M12	1
14	A-02365	Yoke, 15 Inch Wheel	1
15	A-02370	Jack Axle-8.25in	1
16	0096-0087	Flat Washer, M20	6
17	0090-0147	Pin, Cotter - 1/8 x 1 1/4	2
18	A-02367	Tire, Dolly Wheel 15 Inch	1
19	0096-0045	Hex Nut with Nylon Insert - M20	2
20	0090-0427	Flat Washer, 3/4	2
21	0090-0778	Flat Washer, 1	1
22	B25-00-0096	Bearing, Thrust	2
23	A-02363	Caster Pivot Shaft 15 Inch	1
24	0090-0429	Flat Washer, SAE 1	1
25	A-00170	Tongue Tube	Ref.

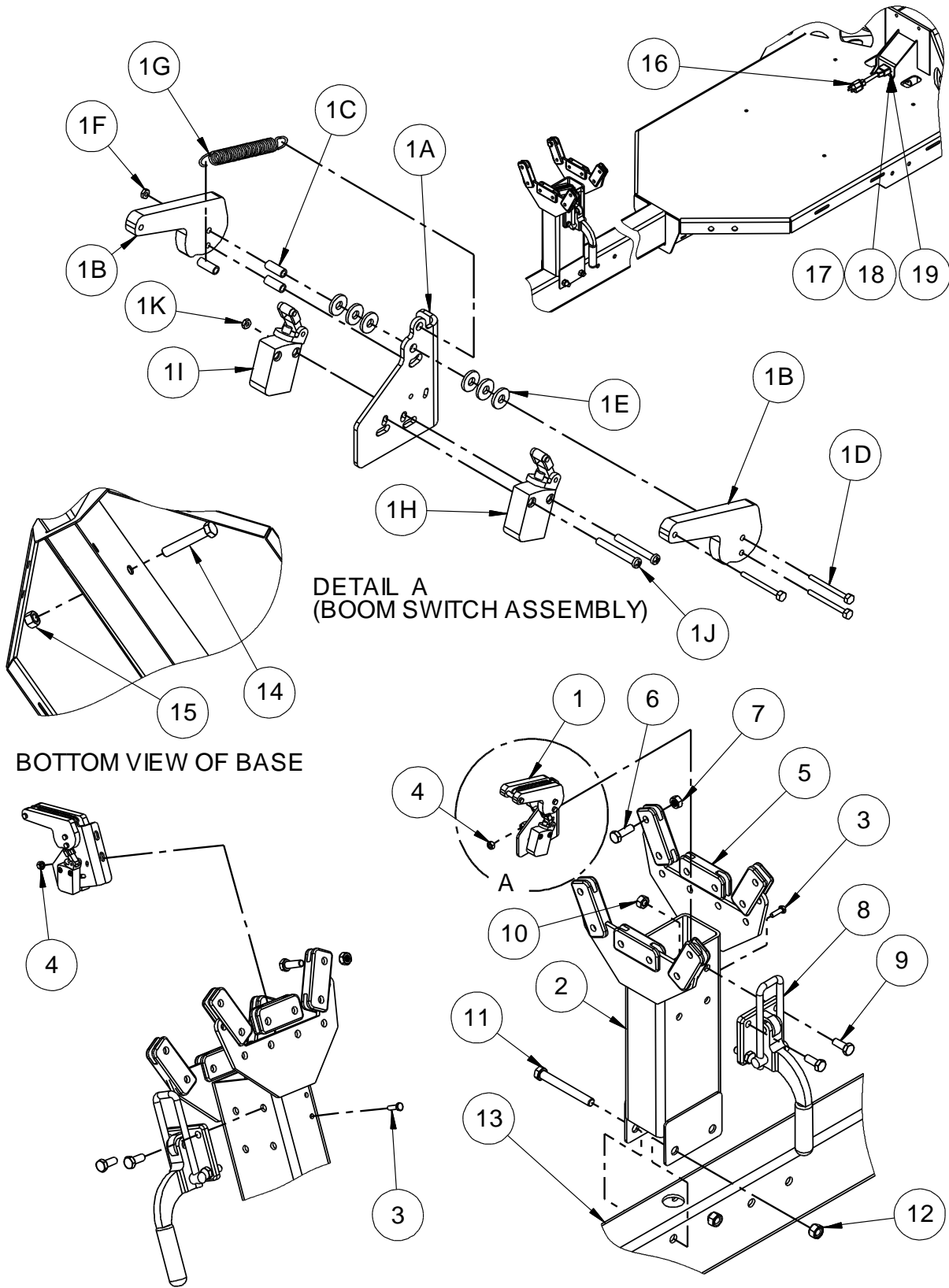
# DOLLY WHEEL WITH TAPERED SWIVEL & YOKE ASSEMBLY (OPTION)



**DOLLY WHEEL WITH TAPERED SWIVEL & YOKE ASSEMBLY (OPTION)**

ITEM NO.	PART NUMBER	DESCRIPTION	QTY.
	A-02337	Swivel and Yoke Assembly	1
1	A-00056	Bearing, .75 I.D. x .5 O.D. x .125	1
2	A-02343	Cap, Bearing Housing	1
3	A-02341	Bearing, 1.25 I.D. x 2.875 O.D. x 1.1563	1
4	A-02347	Swivel Yoke Weldment	1
5	A-02340	Bearing, 1.75 I.D. x 3.125 O.D. x .6875	1
6	A-02342	Seal, 3.154 I.D. x .270 O.D. x 2.058	1
7	A-02348	Yoke Weldment	1
8	A-02370	Jack Axle	1
9	0090-0147	Pin, Cotter - 1/8 x 1 1/4	2
10	A-02367	Tire Dolly Wheel 15 Inch	1
11	0096-0087	Flat Washer, M20	6
12	0096-0011	Screw, Hex Head Cap - M8 x 25	8
13	0096-0040	Hex Nut with Nylon Insert - M8	8
14	0090-0881	Pin, Cotter - 5/32 x 2	1

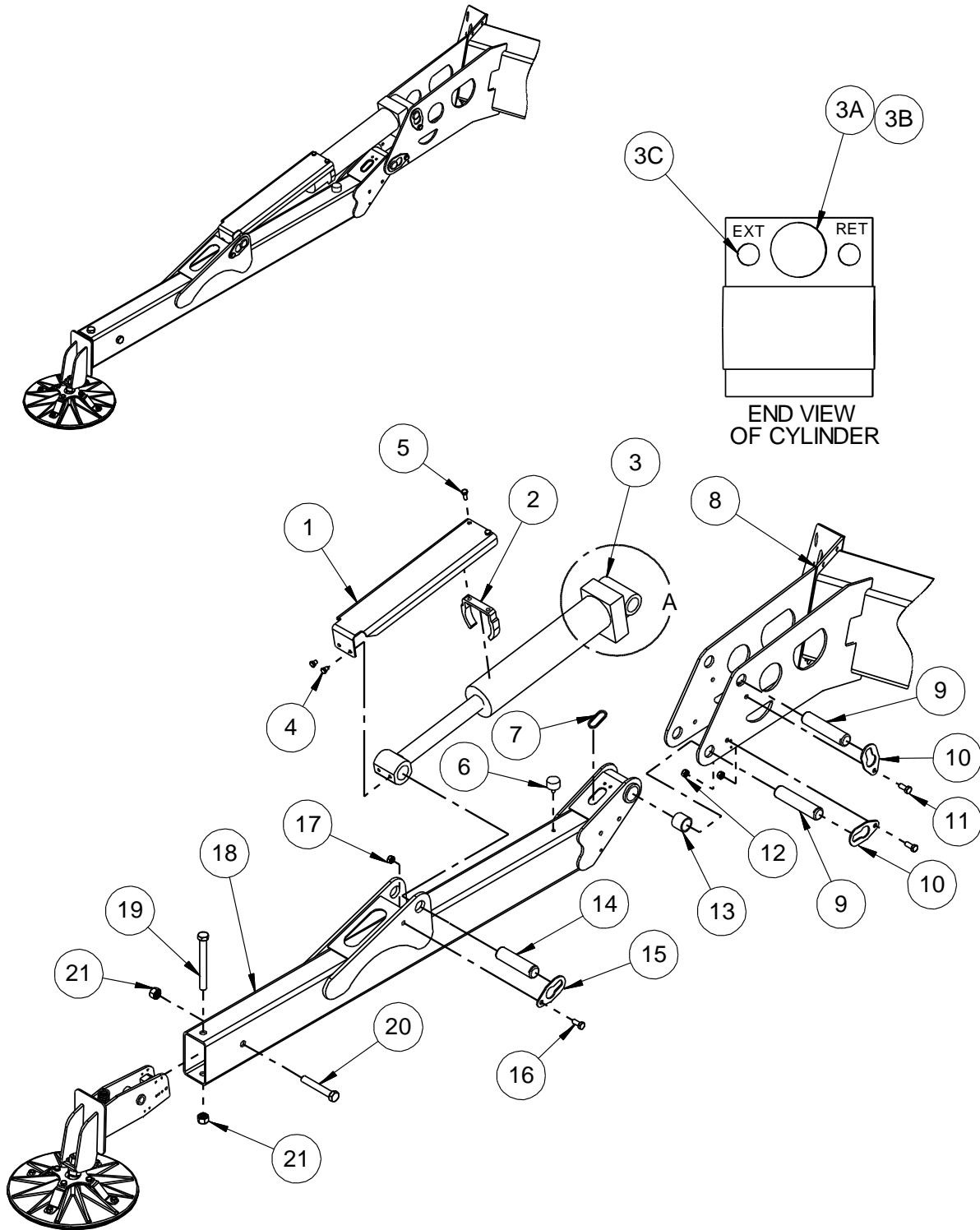
### BOOM REST SWITCH ASSEMBLY



## BOOM REST SWITCH ASSEMBLY

ITEM NO.	PART NUMBER	DESCRIPTION	QTY.
1	B03-00-0197	Boom Rest Switch Assembly	1
1A	A-00169	Switch Plate	1
1B	A-00188	Switch Cam	2
1C	A-00190	Spacer, Switch Cam Replaces A-00168 Effective 2007	3
1D	0096-0106	Screw, Hex Head Cap - M4 x 40	3
1E	0090-0419	Flat Washer, SAE - 1/4	6-7
1F	0096-0073	Hex Nut with Nylon Insert - M4	3
1G	A-00158	Spring, Extension	1
1H	A-03647	Switch Assembly NC Replaces B01-03-0079 Effective 2007	1
1I	A-03644	Switch Assembly NO Replaces B01-03-0078 Effective 2007	1
1J	0090-0821	Screw, Round Head Machine - 8-32 x 1 1/2	2
1K	0090-0181	Hex Nut with Nylon Insert - 8-32	2
2	A-00145	Front Rest	1
3	0096-0001	Screw, Hex Head Cap - M6 x 16	2
4	0096-0039	Hex Nut with Nylon Insert - M6	2
5	A-00157	Front Rest Pad	6
6	0096-0017	Screw, Hex Head Cap - M10 x 30	12
7	0096-0041	Hex Nut with Nylon Insert - M10	12
8	A-00159	Boom Latch	1
9	0096-0016	Screw, Hex Head Cap - M10 x 25	4
10	0096-0041	Hex Nut with Nylon Insert - M10	4
11	0096-0024	Screw, Hex Head Cap - M12 x 100	2
12	0096-0042	Hex Nut with Nylon Insert - M12	2
13	A-00170	Tongue Tube	Ref.
14	0096-0037	Screw, Hex Head Cap - M20 x 120	2
15	0096-0045	Hex Nut with Nylon Insert - M20	2
16	A-00179	Cord Assembly, 6"	1
17	A-00178	Connector, 16/20 Amp	1
18	A-00186	Lock, Connector	1
19	0090-1081	Screw, Pan Head Sheet Metal - # 4 x 3/4	2

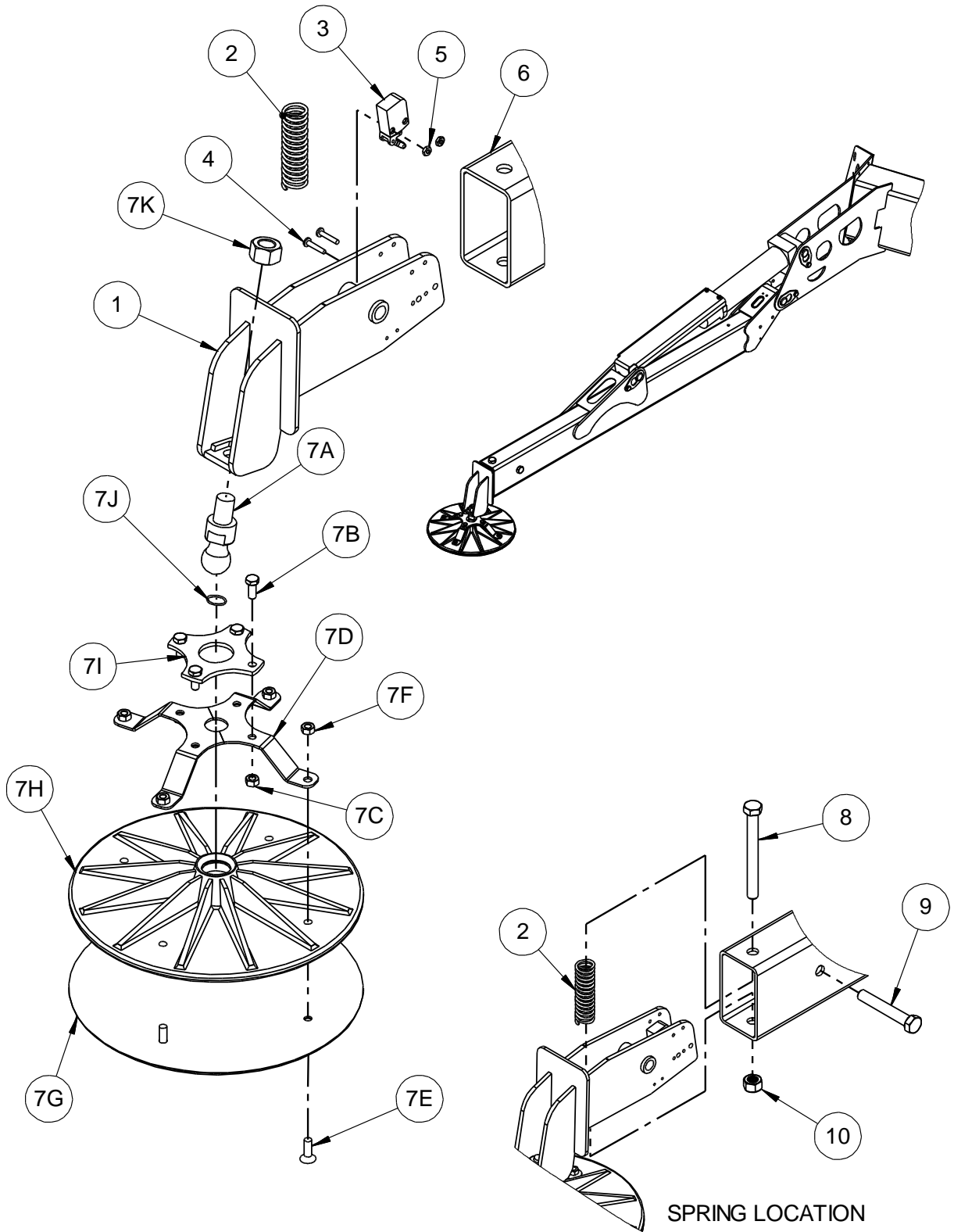
# OUTRIGGER LEG ASSEMBLY



## OUTRIGGER LEG ASSEMBLY

ITEM NO.	PART NUMBER	DESCRIPTION	QTY.
* Quantities listed reflect the number of parts needed for EACH Outrigger *			
1	A-00141	Outrigger Cylinder Guard	1
2	A-00142	Guard Slide	1
3	A-00138	Outrigger Cylinder	1
3A	B02-04-0118	Valve Replaces B02-04-0102 Effective 2007	1
3B	B01-08-0022	Coil Replaces B02-15-0493-A Effective 2007	1
<b>NOTE:</b> If the Coil is of <b>Metal</b> casing replace with B01-08-0022 Coil If the Coil is of <b>Plastic</b> casing replace with both B01-08-0022 Coil and B02-04-0118 Valve			
3C	B02-14-0087	Orifice Disc	1
3D	B02-14-0107	Check Valve - Not Shown	1
3E	B02-13-0129	Packing Kit - Not Shown	1
4	0096-0009	Screw, Hex Head Cap - M8 x 10	2
5	0096-0010	Screw, Hex Head Cap - M8 x 20	2
6	B20-00-0019	Bumper, Single Stud 1.25" Diameter	1
7	A-00046	Grommet, 1.5 x 1.25 x 1.75	1
8	A-00100	Base Weldment	Ref.
9	A-00020	Pin, 1.25 x 5.5	2
10	A-00019	Pin Retainer, 1.25	2
11	0096-0016	Screw, Hex Head Cap - M10 x 25	2
12	0096-0041	Hex Nut with Nylon Insert - M10	2
13	A-00032	Composite Bearing, 1.25 x 1.50 x 1.25	2
14	A-00022	Pin, 1.25 x 4.25	1
15	A-00019	Pin Retainer, 1.25	1
16	0096-0016	Screw, Hex Head Cap - M10 x 25	1
17	0096-0041	Hex Nut with Nylon Insert - M10	1
18	A-00120	Outrigger Weldment	1
19	0096-0036	Screw, Hex Head Cap - M16 x 150	1
20	0096-0051	Screw, Hex Head Cap - M16 x 100	1
21	0096-0044	Hex Nut with Nylon Insert - M16	2

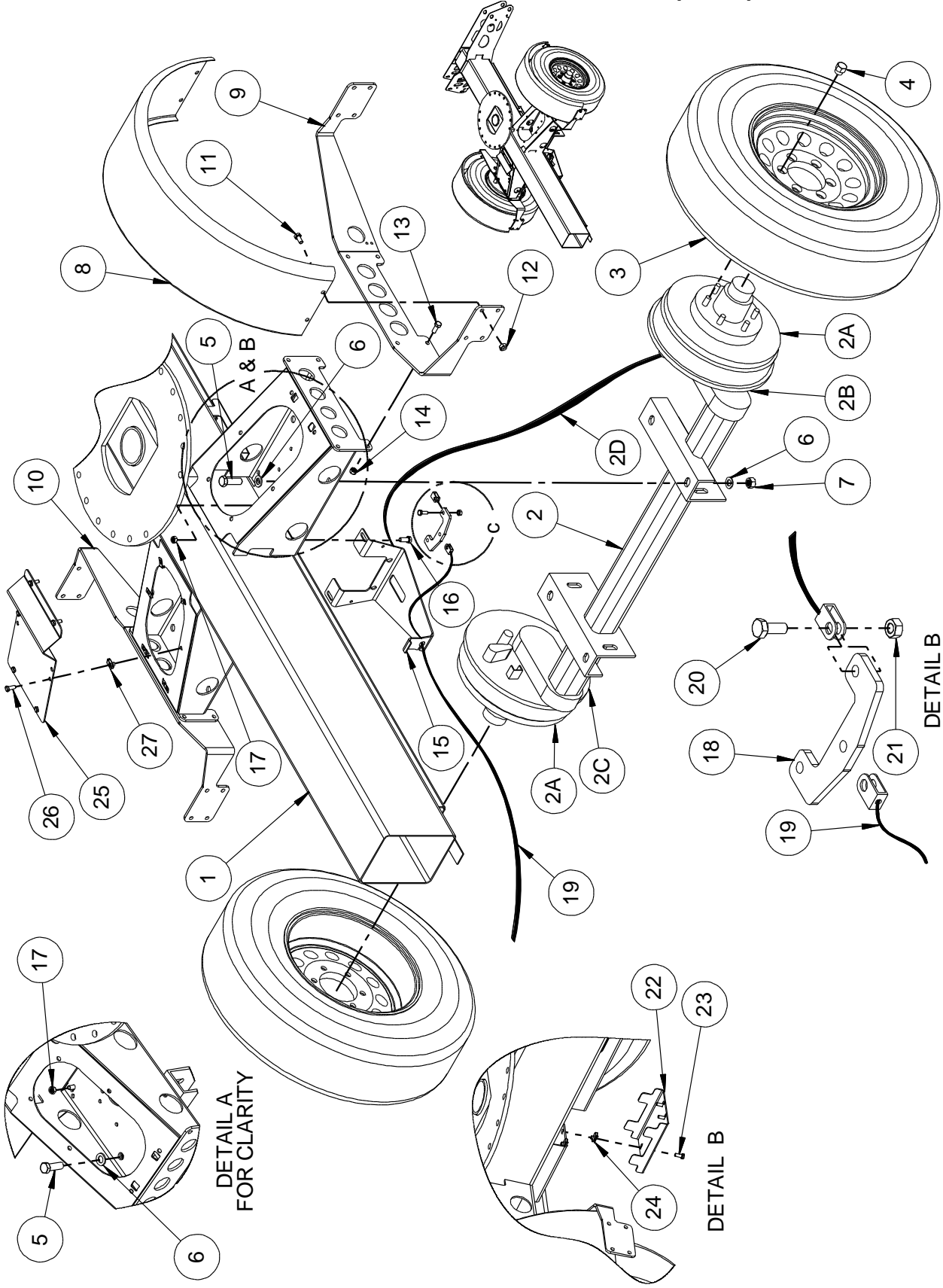
# OUTRIGGER FOOT ASSEMBLY



## OUTRIGGER FOOT ASSEMBLY

ITEM NO.	PART NUMBER	DESCRIPTION	QTY.
* Quantities listed reflect the number of parts needed for EACH Outrigger *			
1	A-00128	Pad Mount Weldment	1
2	A-00154	Spring, Outrigger Sensor	1
3	A-03644	Switch Assembly NO Replaces B01-03-0078 Effective 2007	1
4	0090-0692	Screw, Round Head Machine - 8-32 X 1 1/4	2
5	0090-0181	Hex Nut with Nylon Insert - 8-32	2
6	A-00120	Outrigger Weldment	1
7	A-00136-K	Foot Pad Kit	1
7A	A-00135	Foot Pad Ball	1
7B	0096-0010	Screw, Hex Head Cap - M8 x 20	4
7C	0096-0040	Hex Nut with Nylon Insert - M8	4
7D	A-00127	Foot Pad Lock Replaces A-00769 Effective 2007	2
7E	0096-0121	Screw, Flat Head Cap - M8 x 30	4
7F	0096-0040	Hex Nut with Nylon Insert - M8	4
7G	A-00137	Foot Pad Bottom - 12"	1
7H	A-00136	Foot Pad, Aluminum -12"	1
7I	A-00139	Footpad Cap	1
7J	A-00195	O-ring, 1 1/4 O.D. x 1 I.D.	1
7K	0096-0045	Hex Nut with Nylon Insert - M20	1
	B22-00-0053	Retrofit Kit - Footpad	1
7B	0096-0010	Screw, Hex Head Cap - M8 x 20	4
7C	0096-0040	Hex Nut with Nylon Insert - M8	8
7E	0096-0121	Screw, Flat Head Cap - M8 x 30 Replaces 0096-0012 Effective 2007	4
7D	A-00127	Foot Pad Lock Replaces A-00769 Effective 2007	2
7I	A-00139	Footpad Cap Replaces A-00769 Effective 2007	1
8	0096-0036	Screw, Hex Head Cap - M16 x 150	1
9	0096-0051	Screw, Hex Head Cap - M16 x 100	1
10	0096-0044	Hex Nut with Nylon Insert - M16	2

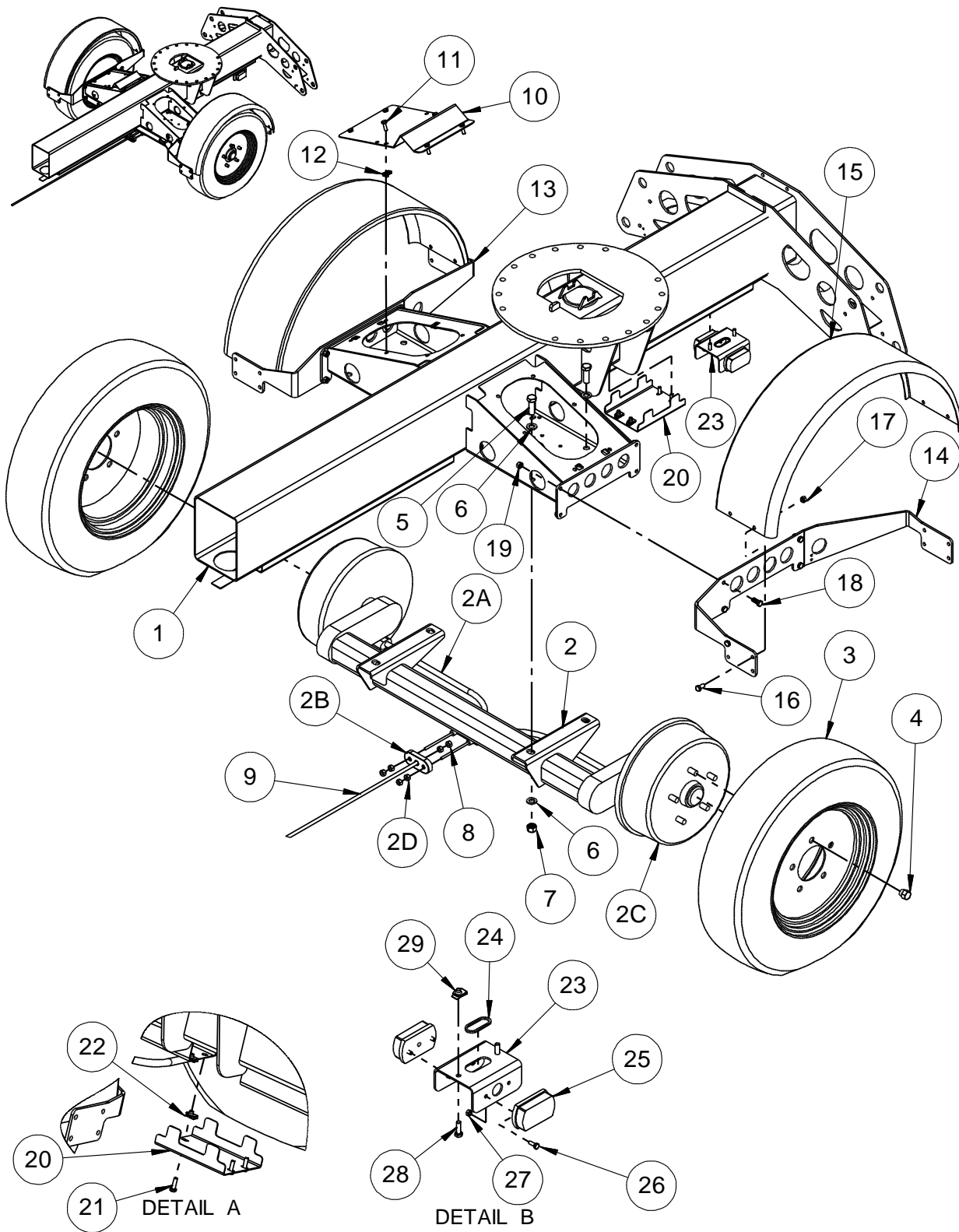
### BRAKE AND AXLE ASSEMBLY (ANSI)



## BRAKE AND AXLE ASSEMBLY (ANSI)

ITEM NO.	PART NUMBER	DESCRIPTION	QTY.
1	A-00100	Base Weldment	Ref.
2	A-05119	Axle Replaces A-00119 Effective 2008	1
2A	B10-00-0049	Brake Drum and Wheel Hub Assembly	2
2B	B10-00-0047	Brake Assembly, Left - Driver Side Replaces B10-00-0042 Effective 2008	1
2C	B10-00-0048	Brake Assembly, Right - Passenger Side Replaces B10-00-0043 Effective 2008	1
2D	B40-00-0035	Brake Cable	2
2 - 1	A-05119-E	Axle, Electric Brakes - Option	1
3	B08-02-0031	Wheel Assembly	2
3A	B08-02-0004	Tire	2
3B	B32-00-0016	Hub Cap - Not Shown	2
4	0090-1075	Lug Nut	12
5	0096-0034	Screw, Hex Head Cap - M16 x 40	4
6	0096-0050	Flat Washer, M16	8
7	0096-0044	Hex Nut with Nylon Insert - M16	4
8	A-00143	Fender	2
9	A-00151-1	Fender Mount – Left	1
10	A-00151-2	Fender Mount – Right	1
11	0096-0014	Screw, Hex Head Cap - M10 x 20	8
12	0096-0041	Hex Nut with Nylon Insert - M10	8
13	0096-0016	Screw, Hex Head Cap - M10 x 25	8
14	0096-0041	Hex Nut with Nylon Insert - M10	8
15	A-00176	Cable Bracket Mount	1
16	0096-0016	Screw, Hex Head Cap - M10 x 25	2
17	0096-0041	Hex Nut with Nylon Insert - M10	2
18	A-00184	Equalizer Bracket	1
19	A-00187	Cable Assembly, Parking Brake	1
20	0096-0010	Screw, Hex Head Cap - M8 x 20	3
21	0096-0040	Hex Nut with Nylon Insert - M8	3
22	A-00175	Hydraulic Cover	1
23	0096-0011	Screw, Hex Head Cap - M8 x 25	4
24	0096-0067	Nut Clip, M8	4
25	A-00932	Manifold Cover	1
26	0096-0067	Screw, Hex Head Cap - M8 x 25	12
27	0096-0011	Nut Clip, M8	12
28	B21-00-0026	Brake Line Kit - Hydraulic Brakes - Not Shown	1

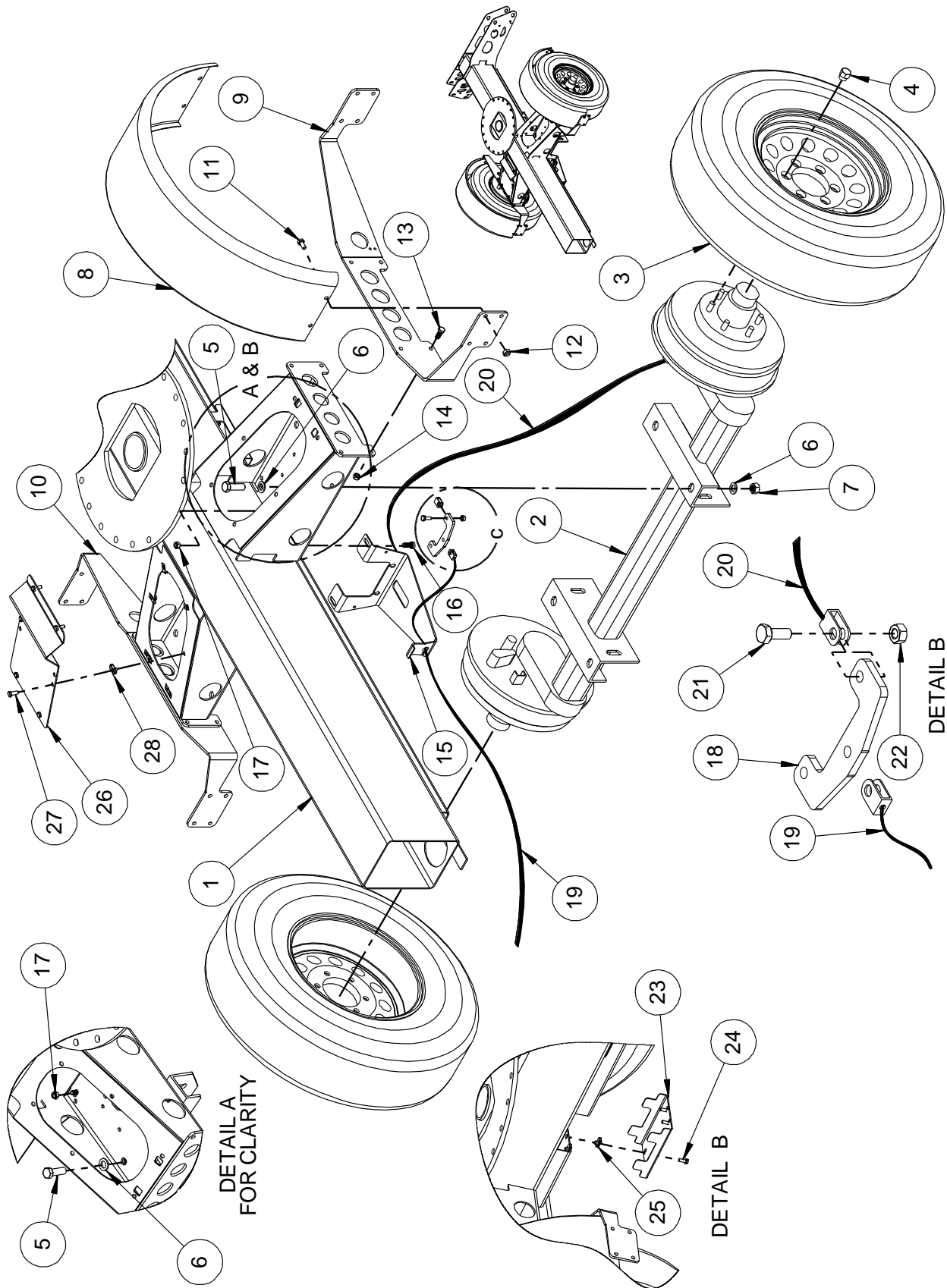
### BRAKE AND AXLE ASSEMBLY (CE)



## BRAKE AND AXLE ASSEMBLY (CE)

ITEM NO.	PART NUMBER	DESCRIPTION	QTY.
1	A-03601	Base Weldment	Ref.
2	A-05618	Axle Replaces A-03618 Effective 2007	1
2A	B10-00-0156	Brake Cable	1
2B	B10-00-0158	Balance Bar	1
2C	B10-00-0148	Drum	1
2D	0096-0149	Hex Nut - M8	4
2E	B10-00-0149	Hub Cap - Not Shown	1
2F	B10-00-0150	Bearings - Not Shown	1
2G	B10-00-0151	Brake Shoes - Not Shown	1
2H	B10-00-0152	Brake Spring - Not Shown	1
2I	B10-00-0153	Brake Adjuster - Not Shown	1
2J	B10-00-0154	Brake Expander - Not Shown	1
3	A-05617	Wheel Assembly Replaces A03617 Effective 2007	2
4	B10-00-0155	Lug Nut	12
5	0096-0034	Screw, Hex Head Cap - M16 x 40	4
6	0096-0050	Flat Washer, M16	8
7	0096-0044	Hex Nut with Nylon Insert - M16	4
8	0096-0114	Hex Nut - M10	2
9	A-03640	Rod Threaded M10 X 1.5 X 92in	Ref.
10	A-00932	Manifold Cover	1
11	0096-0067	Screw, Hex Head Cap - M8 x 25	12
12	0096-0011	Nut Clip, M8	12
13	A-00151-2	Fender Mount – Right	1
14	A-00151-1	Fender Mount – Left	1
15	A-00143	Fender	2
16	0096-0014	Screw, Hex Head Cap - M10 x 20	8
17	0096-0041	Hex Nut with Nylon Insert - M10	8
18	0096-0016	Screw, Hex Head Cap - M10 x 25	8
19	0096-0041	Hex Nut with Nylon Insert - M10	8
20	A-00175	Hydraulic Cover	1
21	0096-0011	Screw, Hex Head Cap - M8 x 25	4
22	0096-0067	Nut Clip, M8	4
23	A-04668	Side Marker Light Bracket	1
24	A-00046	Grommet - 1.5 x .125 x 1.75	1
25	A-03633	Side Marker Light - Amber	2
26	0096-0001	Screw, Hex Head Cap - M6 x 16	4
27	0096-0039	Hex Nut with Nylon Insert, M6	4
28	0096-0011	Screw, Hex Head Cap - M8 x 25	2
29	0096-0067	Nut Clip, M8	2
30	A-02860	Spare Tire Kit - Not Shown	1

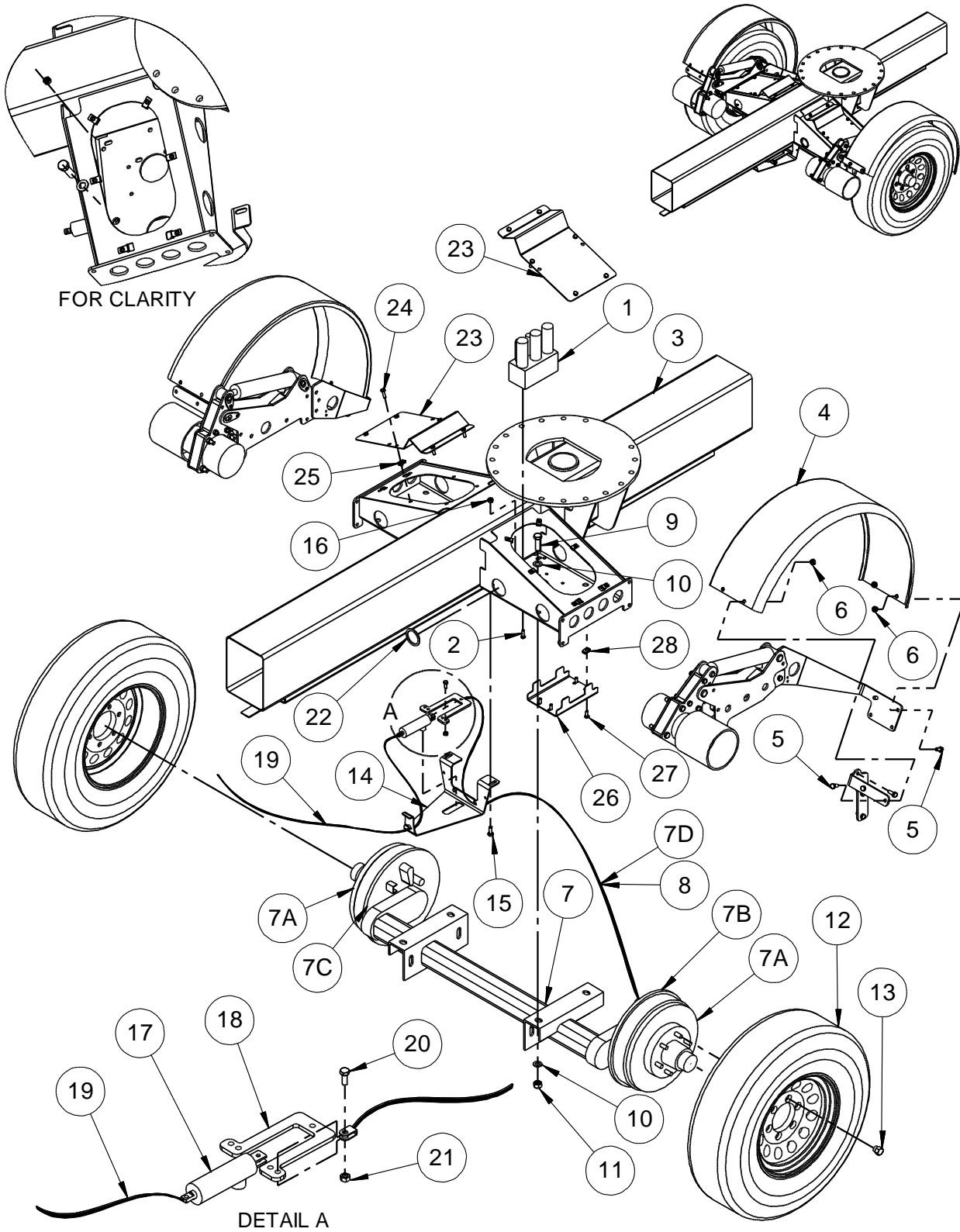
# BRAKE AND AXLE ASSEMBLY (AUSTRALIA)



## BRAKE AND AXLE ASSEMBLY (AUSTRALIA)

ITEM NO.	PART NUMBER	DESCRIPTION	QTY.
1	A-00100	Base Weldment	Ref.
2	A-05119-E	Axle, Electric Brake	1
3	B08-02-0031	Wheel Assembly	2
3A	B08-02-0004	Tire	2
3B	B32-00-0016	Hub Cap - Not Shown	2
4	0090-1075	Lug Nut	12
5	0096-0034	Screw, Hex Head Cap - M16 x 40	4
6	0096-0050	Flat Washer, M16	8
7	0096-0044	Hex Nut with Nylon Insert - M16	4
8	A-00143	Fender	2
9	A-00151-1	Fender Mount – Left	1
10	A-00151-2	Fender Mount – Right	1
11	0096-0014	Screw, Hex Head Cap - M10 x 20	8
12	0096-0041	Hex Nut with Nylon Insert - M10	8
13	0096-0016	Screw, Hex Head Cap - M10 x 25	8
14	0096-0041	Hex Nut with Nylon Insert - M10	8
15	A-00176	Cable Bracket Mount	1
16	0096-0016	Screw, Hex Head Cap - M10 x 25	2
17	0096-0041	Hex Nut with Nylon Insert - M10	2
18	A-00184	Equalizer Bracket	1
19	A-00187	Cable Assembly, Parking Brake	1
20	A-00223	Cable Assembly, Parking Brake	1
21	0096-0010	Screw, Hex Head Cap - M8 x 20	3
22	0096-0040	Hex Nut with Nylon Insert - M8	3
23	A-00175	Hydraulic Cover	1
24	0096-0011	Screw, Hex Head Cap - M8 x 25	4
25	0096-0067	Nut Clip, M8	4
26	A-00932	Manifold Cover	1
27	0096-0067	Screw, Hex Head Cap - M8 x 25	12
28	0096-0011	Nut Clip, M8	12

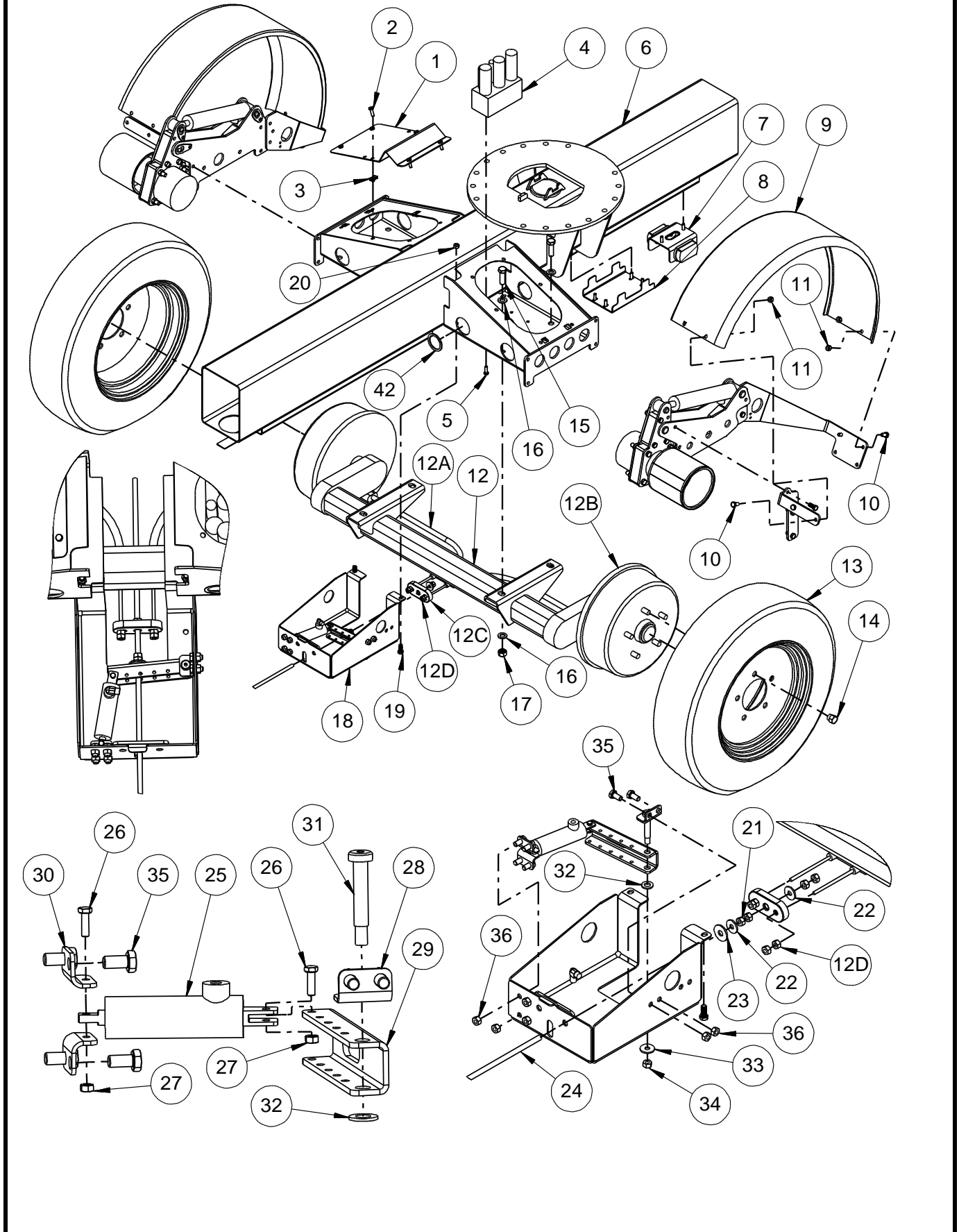
# BRAKE AND AXLE ASSEMBLY FOR DRIVE & SET OPTION (ANSI)



## BRAKE AND AXLE ASSEMBLY FOR DRIVE & SET OPTION (ANSI)

ITEM NO.	PART NUMBER	DESCRIPTION	QTY.
1	A-00928	Manifold	1
2	0096-0011	Screw, Hex Head Cap - M8 x 25	2
3	A-00100	Base Weldment	Ref.
4	A-00143	Fender	2
5	0096-0014	Screw, Hex Head Cap - M10 x 20	8
6	0096-0041	Hex Nut with Nylon Insert - M10	8
7	A-05119	Axle Replaces A-00119 Effective 2008	1
7A	B10-00-0049	Brake Drum and Wheel Hub Assembly	2
7B	B10-00-0047	Brake Assembly, Left - Driver Side Replaces B10-00-0042 Effective 2008	1
7C	B10-00-0048	Brake Assembly, Right - Passenger Side Replaces B10-00-0043 Effective 2008	1
7D	B40-00-0035	Brake Cable - Hydraulic Surge Brake	2
7 - 1	A-05119-E	Axle, Electric Brakes	1
8	A-00223	Cable - Parking Brake - Electric Surge Brake	2
9	0096-0034	Screw, Hex Head Cap - M16 x 40	4
10	0096-0050	Flat Washer, M16	8
11	0096-0044	Hex Nut with Nylon Insert - M16	4
12	B08-02-0031	Wheel Assembly Replaces B08-02-0023 Effective 2008	2
12A	B08-02-0004	Tire	2
12B	B32-00-0016	Hub Cap - Not Shown	2
13	0090-1075	Lug Nut	12
14	A-00176	Cable Brake Mount - Hydraulic Surge Brake	1
14A	A-00166	Cable Brake Mount - Electric Surge Brake	1
15	0096-0010	Screw, Hex Head Cap - M8 x 20	3
16	0096-0040	Hex Nut with Nylon Insert - M8	3
17	A-00930	Cylinder, Brake - Hydraulic Surge Brake	1
17A	A-00945	Cylinder Brake - Electric Surge Brake	1
18	A-00936	Equalizer Bracket	1
19	A-00187	Cable Assembly, Parking Brake	1
20	0096-0016	Screw, Hex Head Cap - M10 x 25	2
21	0096-0041	Hex Nut with Nylon Insert - M10	2
22	A-00941	Grommet,	7
23	A-00932	Manifold Cover	2
24	0096-0011	Screw, Hex Head Cap - M8 x 25	12
25	0096-0067	Nut Clip, M8	12
26	A-00175	Hydraulic Cover	1
27	0096-0011	Screw, Hex Head Cap - M8 x 25	4
28	0096-0067	Nut Clip, M8	4
29	B21-00-0026	Brake Line Kit - Hydraulic Brakes - Not Shown	1

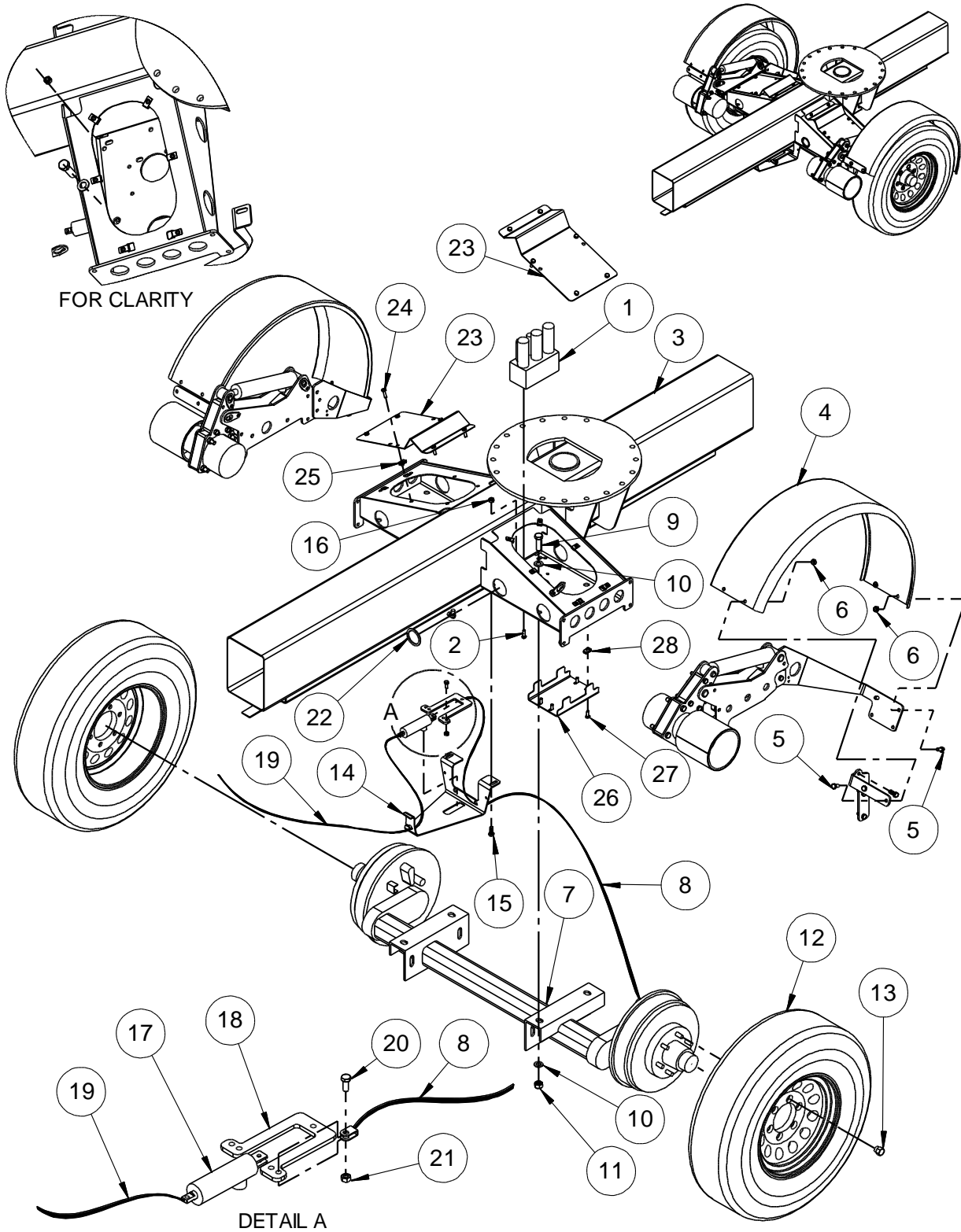
### BRAKE AND AXLE ASSEMBLY FOR DRIVE & SET OPTION (CE)



## BRAKE AND AXLE ASSEMBLY FOR DRIVE & SET OPTION (CE)

ITEM NO.	PART NUMBER	DESCRIPTION	QTY.
1	A-00932	Manifold Cover	2
2	0096-0011	Screw, Hex Head Cap - M8 x 25	12
3	0096-0067	Nut Clip, M8	12
4	A-00928	Manifold	1
5	0096-0011	Screw, Hex Head Cap - M8 x 25	2
6	A-03601	Base Weldment	Ref.
7	A-04668	Side Marker Light Bracket	Ref.
8	A-00175	Hydraulic Cover	Ref.
9	A-00143	Fender	Ref.
10	0096-0014	Screw, Hex Head Cap - M10 x 20	8
11	0096-0041	Hex Nut with Nylon Insert - M10	8
12	A-05618	Axle Replaces A-03618 Effective 2007	Ref.
2A	B10-00-0156	Brake Cable	1
2B	B10-00-0158	Balance Bar	1
2C	B10-00-0148	Drum	1
2D	0096-0149	Hex Nut - M8	4
13	A-05617	Wheel Assembly Replaces A03617 Effective 2007	Ref.
14	0090-1075	Lug Nut	12
15	0096-0034	Screw, Hex Head Cap - M16 x 40	4
16	0096-0050	Flat Washer, M16	8
17	0096-0044	Hex Nut with Nylon Insert - M16	4
18	A-04666	Cable Brake Mount	1
19	0096-0016	Screw, Hex Head Cap - M10 x 25	2
20	0096-0041	Hex Nut with Nylon Insert - M10	2
21	0096-0114	Hex Nut - M10	4
22	0096-0093	Flat Washer - M10 - Large O.D.	2
23	0096-0046	Flat Washer, M12	1
24	A-03640	Rod Threaded M10 X 1.5 X 92in	Ref.
25	A-00930CE	Cylinder	1
26	0096-0004	Screw, Hex Head Cap - M6 x 25	2
27	0096-0039	Hex Nut with Nylon Insert, M6	2
28	A-03672	Pivot Bolt Mount	1
29	A-03667	Brake Release Bracket	1
30	A-03668	Brake Cylinder Mount CE	2
31	A-03669	Bolt, Shoulder - M12 x 55	1
32	0096-0046	Flat Washer, M12	1
33	0096-0093	Flat Washer - M10 - Large O.D.	1
34	0096-0041	Hex Nut with Nylon Insert - M10	1
35	0096-0014	Screw, Hex Head Cap - M10 x 20	6
36	0096-0041	Hex Nut with Nylon Insert - M10	6
37	A-00941	Grommet	7

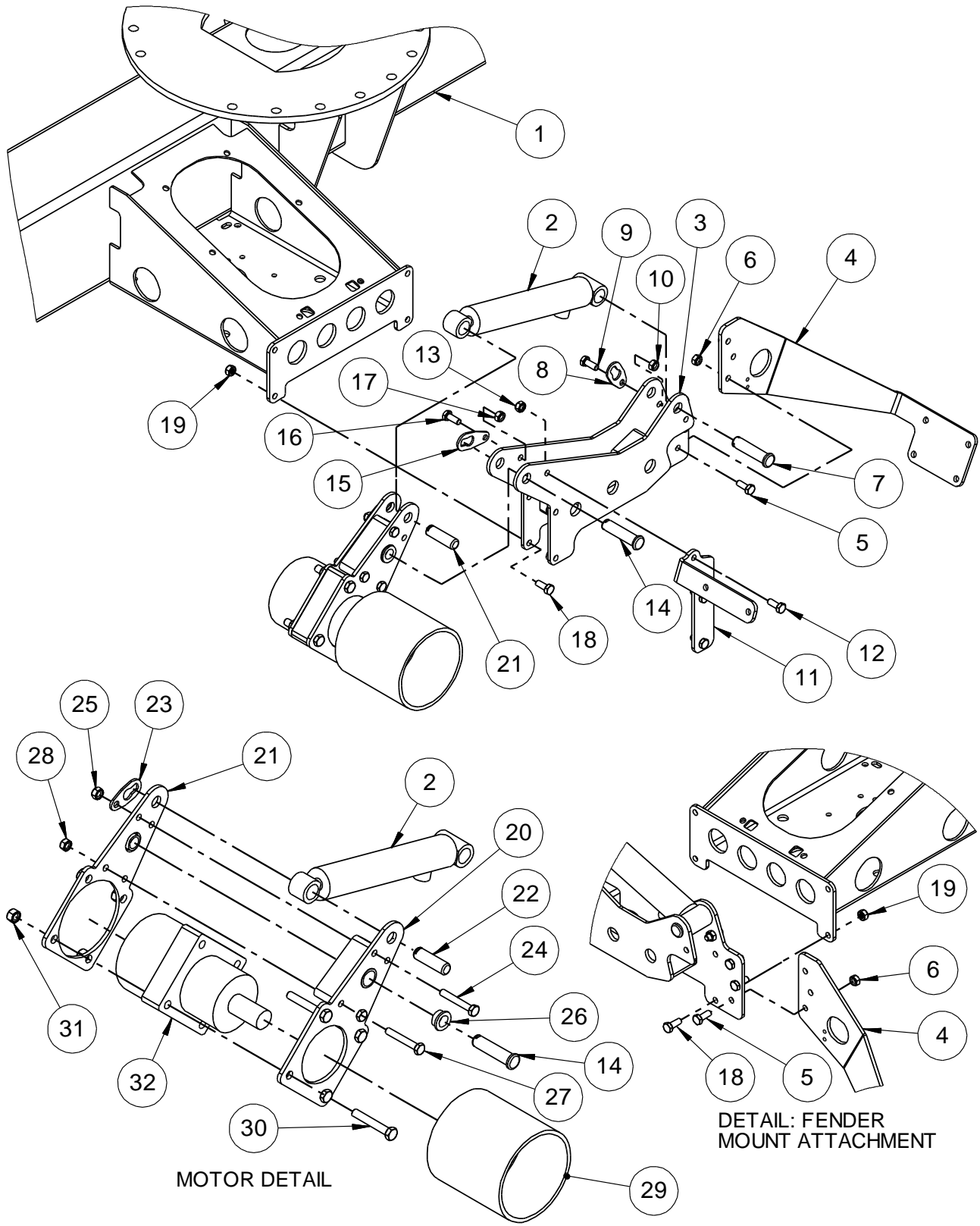
# BRAKE AND AXLE ASSEMBLY FOR DRIVE & SET OPTION (AUSTRALIA)



**BRAKE AND AXLE ASSEMBLY FOR DRIVE & SET OPTION (AUSTRALIA)**

ITEM NO.	PART NUMBER	DESCRIPTION	QTY.
1	A-00928	Manifold	1
2	0096-0011	Screw, Hex Head Cap - M8 x 25	2
3	A-00100	Base Weldment	Ref.
4	A-00143	Fender	2
5	0096-0014	Screw, Hex Head Cap - M10 x 20	8
6	0096-0041	Hex Nut with Nylon Insert - M10	8
7	A-05119-E	Axle, Electric Brake	1
8	A-00223	Cable - Parking Brake	2
9	0096-0034	Screw, Hex Head Cap - M16 x 40	4
10	0096-0050	Flat Washer, M16	8
11	0096-0044	Hex Nut with Nylon Insert - M16	4
12	B08-02-0031	Wheel Assembly Replaces B08-02-0023 Effective 2008	2
12A	B08-02-0004	Tire	2
12B	B32-00-0016	Hub Cap - Not Shown	2
13	0090-1075	Lug Nut	12
14	A-00166	Cable Brake Mount	1
15	0096-0010	Screw, Hex Head Cap - M8 x 20	3
16	0096-0040	Hex Nut with Nylon Insert - M8	3
17	A-00945	Cylinder, Brake	1
18	A-00936	Equalizer Bracket	1
19	A-00187	Cable Assembly, Parking Brake	1
20	0096-0016	Screw, Hex Head Cap - M10 x 25	2
21	0096-0041	Hex Nut with Nylon Insert - M10	2
22	A-00941	Grommet,	7
23	A-00932	Manifold Cover	2
24	0096-0011	Screw, Hex Head Cap - M8 x 25	12
25	0096-0067	Nut Clip, M8	12
26	A-00175	Hydraulic Cover	1
27	0096-0011	Screw, Hex Head Cap - M8 x 25	4
28	0096-0067	Nut Clip, M8	4

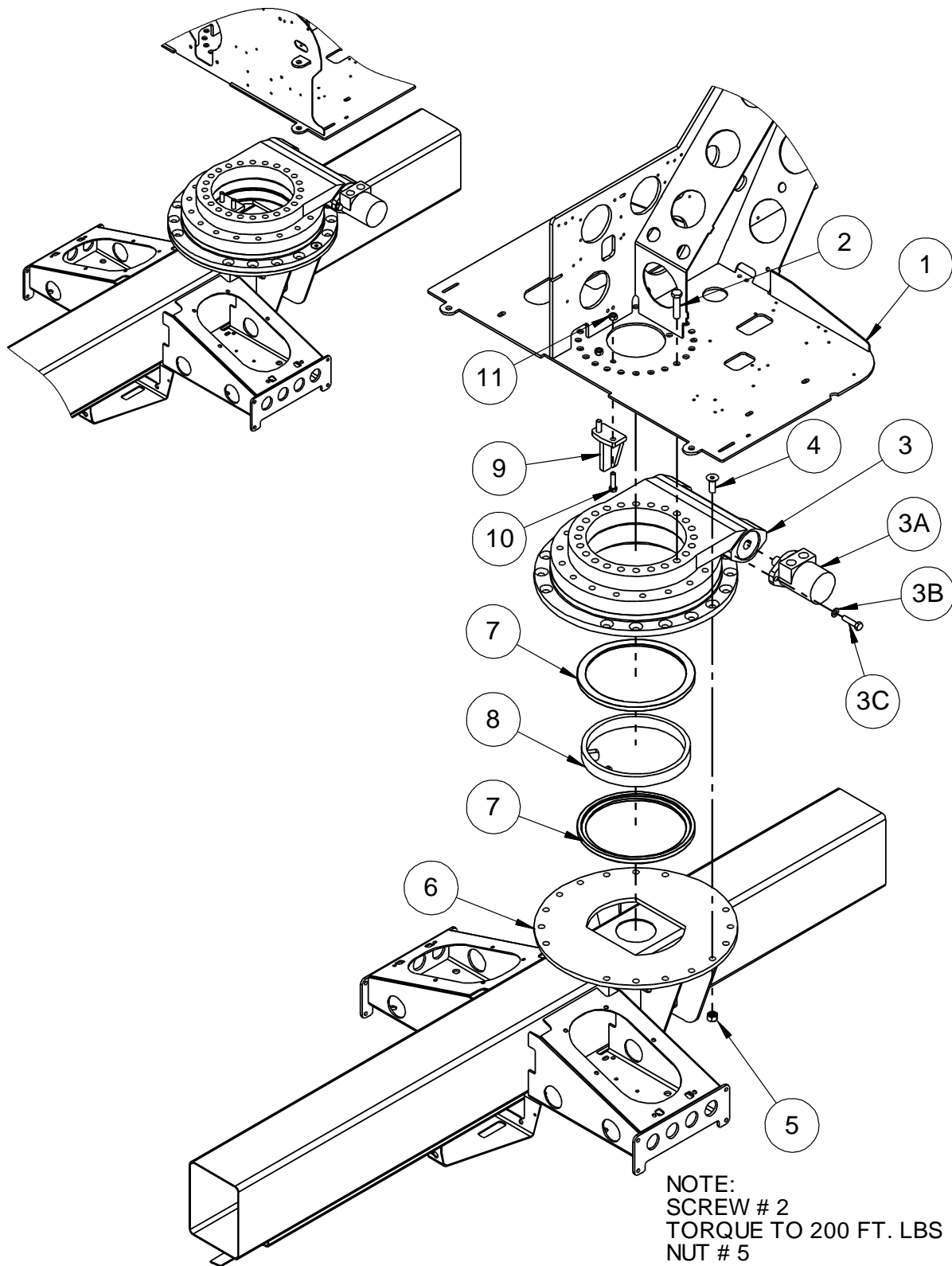
# DRIVE MOTOR ASSEMBLY FOR DRIVE & SET OPTION



## DRIVE MOTOR ASSEMBLY FOR DRIVE & SET OPTION

ITEM NO.	PART NUMBER	DESCRIPTION	QTY.
1	A-00100	Base Weldment	Ref.
2	A-00906	Cylinder	2
3	A-00901L	Mount Weldment, Driver Side - Hydraulic Surge Brake	1
3A	A-00950L	Mount Weldment, Driver Side - Electric Surge Brake	1
3B	A-00901R	Mount Weldment, Passenger Side - Hydraulic Surge Brake	1
3C	A-00950R	Mount Weldment, Passenger Side - Electric Surge Brake	1
4	A-00908L	Fender Mount, Rear - Driver Side	1
4A	A-00908R	Fender Mount, Rear - Passenger Side	1
5	0096-0016	Screw, Hex Head Cap - M10 x 25	6
6	0096-0041	Hex Nut with Nylon Insert - M10	6
7	A-00927	Pin with Head, .75 X 3.25	2
8	A-00017	Pin, Retainer .75	2
9	0096-0016	Screw, Hex Head Cap - M10 x 25	2
10	0096-0041	Hex Nut with Nylon Insert - M10	2
11	A-00907-1	Fender Mount, Left	1
11A	A-00907-2	Fender Mount, Right	1
12	0096-0016	Screw, Hex Head Cap - M10 x 25	6
13	0096-0041	Hex Nut with Nylon Insert - M10	6
14	A-00927	Pin with Head, .75 X 3.25	2
15	A-00017	Pin, Retainer .75	2
16	0096-0016	Screw, Hex Head Cap - M10 x 25	2
17	0096-0041	Hex Nut with Nylon Insert - M10	2
18	0096-0016	Screw, Hex Head Cap - M10 x 25	8
19	0096-0041	Hex Nut with Nylon Insert - M10	8
20	A-00910	Pivot Weldment	2
21	A-00912	Pivot Arm "B"	2
22	A-00926	Pin, .75 X 2.5	2
23	A-00925	Pin Retainer, .75	2
24	0096-0066	Screw, Hex Head Cap - M10 x 60	4
25	0096-0041	Hex Nut with Nylon Insert - M10	4
26	A-00056	Bearing	4
27	0096-0066	Screw, Hex Head Cap - M10 x 60	4
28	0096-0041	Hex Nut with Nylon Insert - M10	4
29	A-00920	Friction Wheel	2
30	0096-0022	Screw, Hex Head Cap - M12 x 75	8
31	0096-0042	Hex Nut with Nylon Insert - M12	8
32	A-00915	Motor, Hydraulic	2

### SLEW RING ASSEMBLY

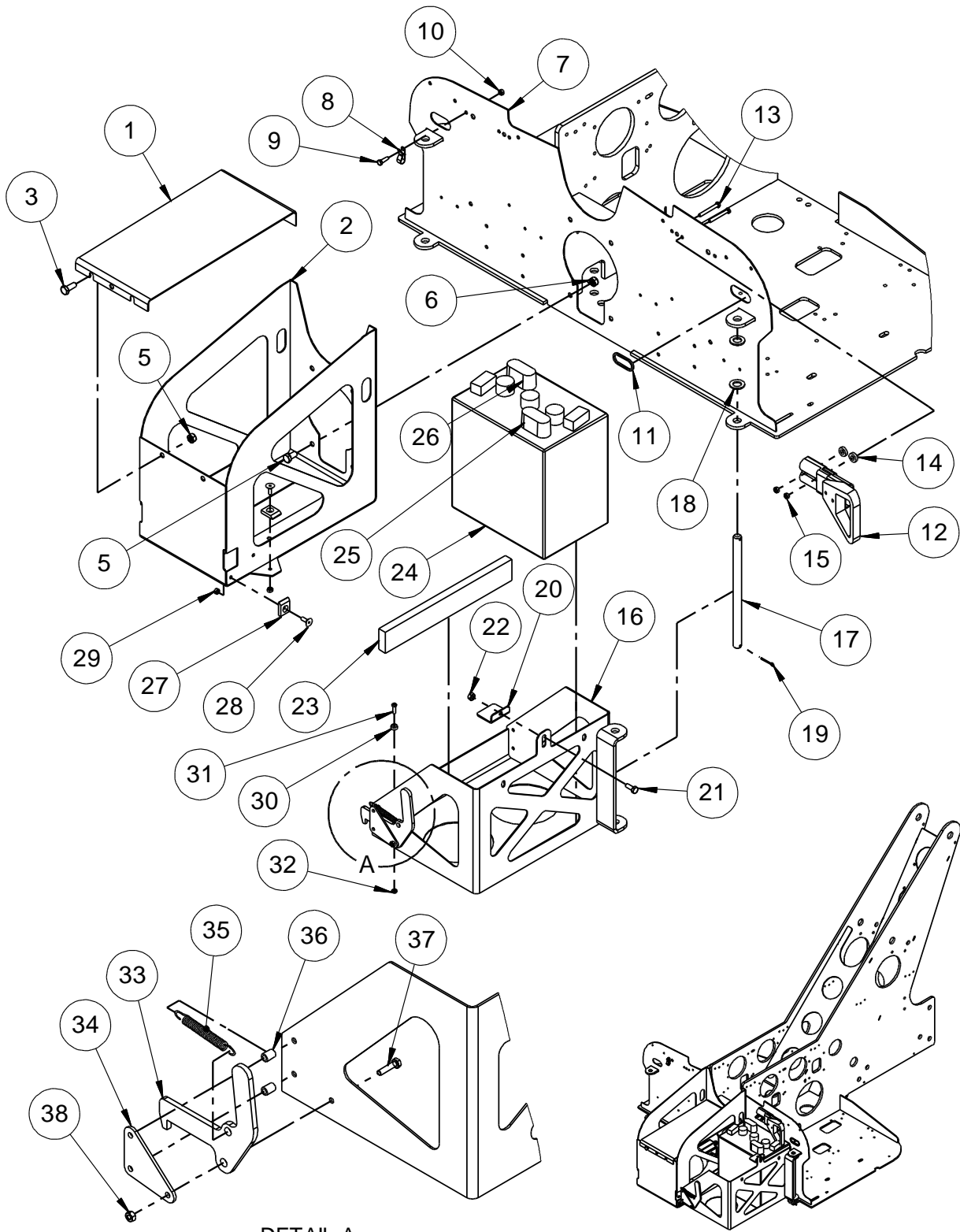


NOTE:  
SCREW # 2  
TORQUE TO 200 FT. LBS  
NUT # 5  
TORQUE TO 200 FT. LBS

## SLEW RING ASSEMBLY

ITEM NO.	PART NUMBER	DESCRIPTION	QTY.
1	A-00200	Turntable Weldment	Ref.
2	0090-0643	Screw, Hex Head Cap - 5/8-11 x 2 3/4 – Grade 8 NOTE: Torque to 200 ft-lb	19
3	A-02189	Slew Ring and Adapter Assembly	1
3A	B02-06-0018	Drive Motor - 80cc	1
3B	0090-0461	Screw, Hex Head Cap - 1/2-13 x 2	2
3C	0090-0212	Washer, Lock - 1/2	2
4	0096-0054	Screw, Flat Head Cap - M16 x 50	16
5	0090-0044	Hex Nut with Nylon Insert, M16 NOTE: Torque to 200 ft-lb	16
6	A-00100	Base Weldment	Ref.
7	A-00351	Nylon Ring	2
8	A-00352	Ring	1
9	A-00356	Ring Stop Weldment	1
10	0096-0021	Screw, Hex Head Cap - M12 x 45	2
11	0096-0042	Hex Nut with Nylon Insert, M12	2
12	B02-01-0282	Hose, Hydraulic # 2 x 20 in - Not Shown	1
13	B00-00-0061	Zerk Grease 1/8 in NPT 90° - Not Shown	1
14	B02-02-0241	Coupling, Fitting - Not Shown	1
15	B02-13-0144	Seal Kit - Not Shown	1
16	A-00191	Cap Seal for Slew Ring - Not Shown	1

# BATTERY COMPARTMENT ASSEMBLY

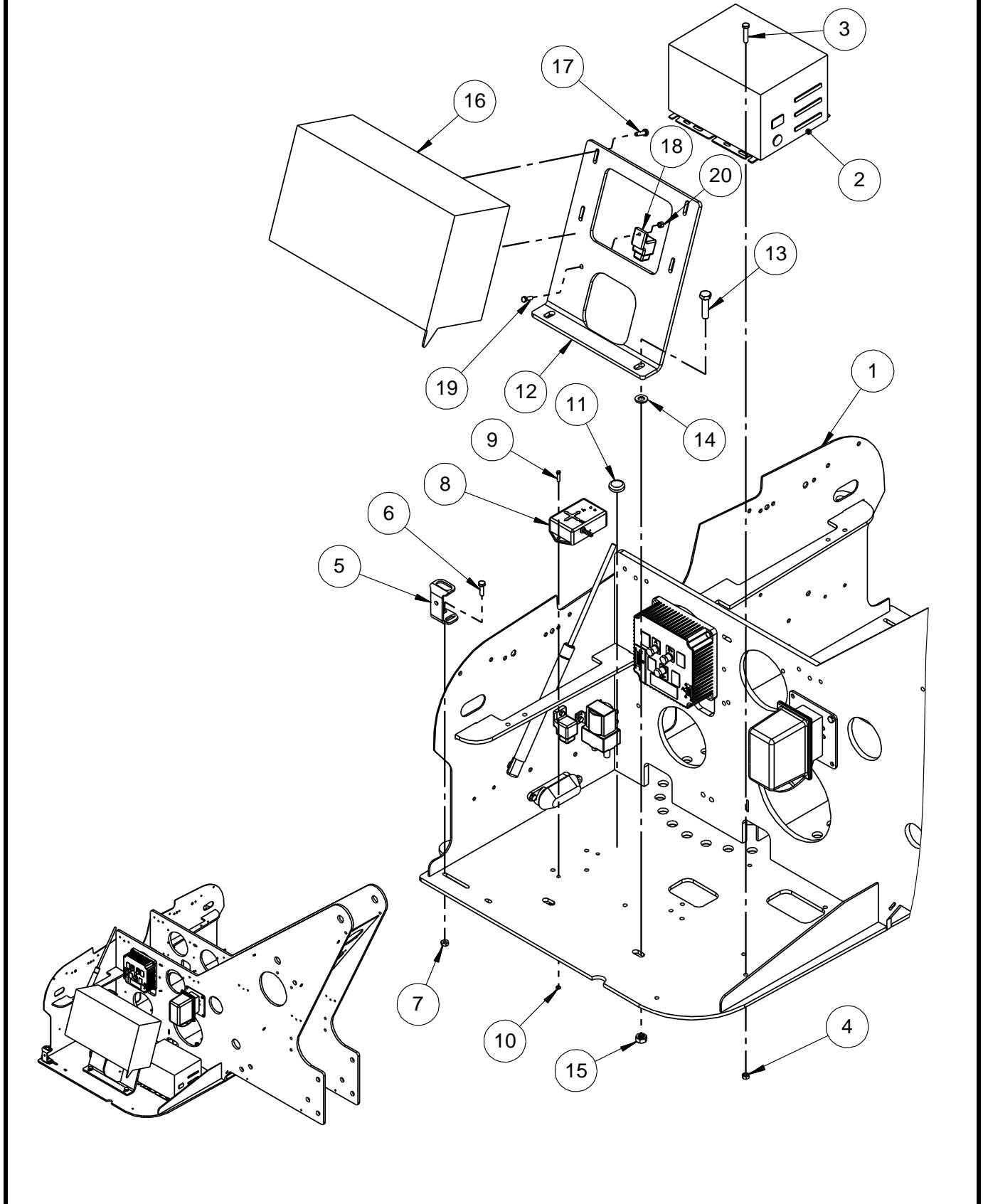


DETAIL A

## BATTERY COMPARTMENT ASSEMBLY

ITEM NO.	PART NUMBER	DESCRIPTION	QTY.
1	A-00256	Motor Cover	1
2	A-00225	Nose Weldment	1
3	0096-0016	Screw, Hex Head Cap - M10 x 25	2
4	0096-0041	Hex Nut with Nylon Insert, M10	2
5	0096-0014	Screw, Hex Head Cap - M10 x 20	4
6	0096-0041	Hex Nut with Nylon Insert, M10	4
7	A-00200	Turntable Weldment	Ref.
8	B04-07-0036	Clamp	2
9	0096-0002	Screw, Hex Head Cap - M6 x 20	2
10	0096-0039	Hex Nut with Nylon Insert, M6	2
11	A-00046	Grommet	4
12	A-00272	Battery Cable Kit	1
12A	B01-09-0132	A-Frame Connector Handle	1
12B	B01-09-0131	Connector Plug	1
13	0096-0052	Screw, Hex Head Cap - M6 x 40	2
14	0096-0047	Washer, Nylon - M10	2
15	0096-0039	Hex Nut with Nylon Insert, M6	2
16	A-00215	Battery Box Weldment – Driver Side	1
16A	A-00220	Battery Box Weldment – Passenger Side	1
17	A-00278	Hinge Pin	2
18	0096-0050	Washer, Flat, M16	4
19	0090-0147	Cotter Pin, 1/8 x 1 1/4	4
20	A-00271	Battery Hold Down Plate	2
21	0096-0010	Screw, Hex Head Cap - M8 x 20	2
22	0096-0040	Hex Nut with Nylon Insert, M8	2
23	A-00222	Battery Tray Spacer	2
24	A-00242	Battery, 6 Volt	4
25	B01-09-0133	Terminal Boot – Black	4
26	B01-09-0134	Terminal Boot – Red	4
27	A-00037	Ramp – Short	4
28	0096-0003	Screw, Flat Head Cap - M6 x 20	4
29	0096-0039	Hex Nut with Nylon Insert, M6	4
30	A-00209	Rubber Bumper	4
31	0096-0236	Screw, Round Head Machine - 10-24 x 3/4	4
32	0090-0182	Hex Nut with Nylon Insert, #10-24	4
33	A-00219	Battery Box Latch	2
34	A-00229	Battery Latch Plate	2
35	A-00244	Tension Spring	2
36	A-00234	Spacer	4
37	0096-0004	Screw, Hex Head Cap - M6 x 25	6
38	0096-0039	Hex Nut with Nylon Insert, M6	6

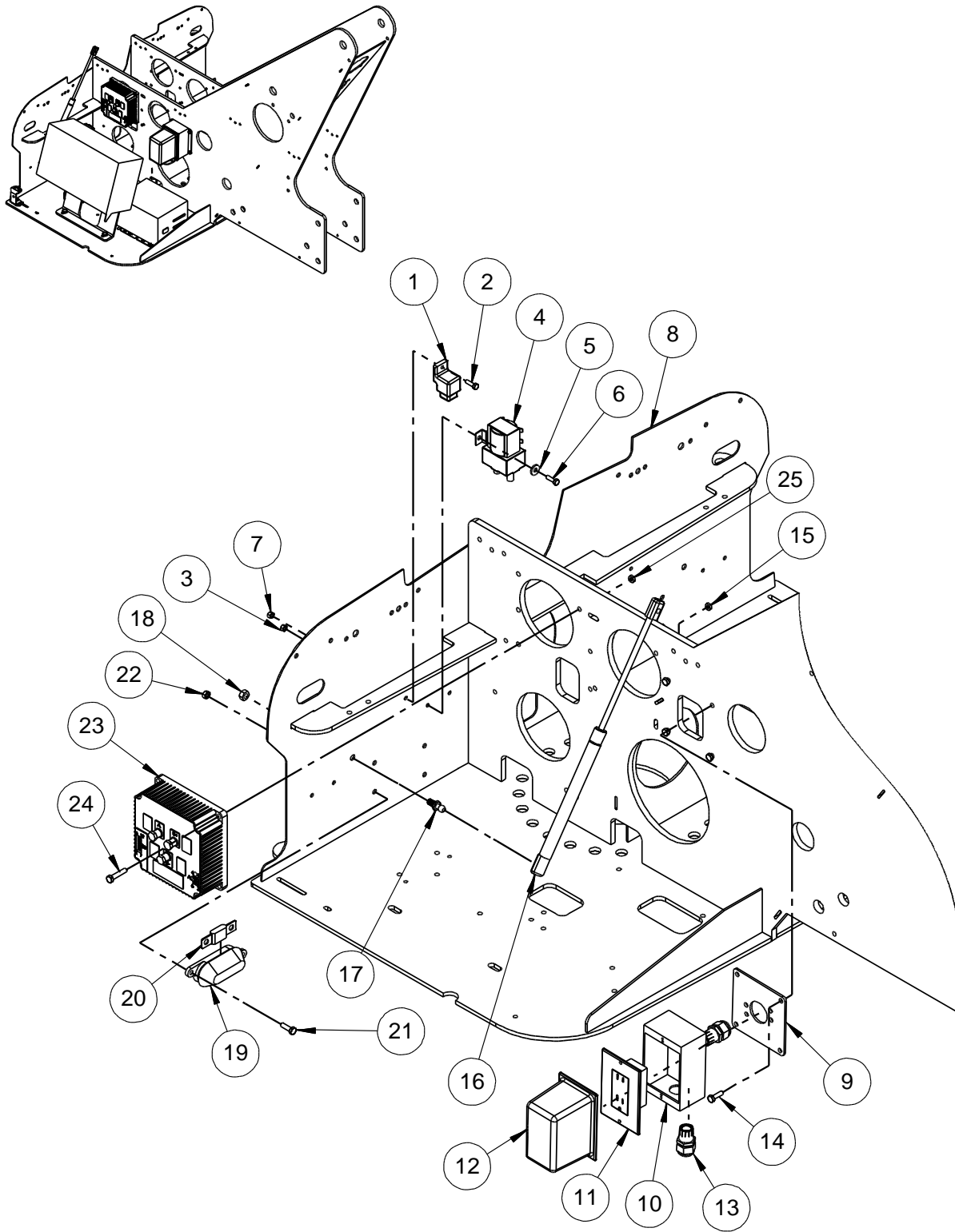
# CONTROL COMPARTMENT ASSEMBLY



## CONTROL COMPARTMENT ASSEMBLY

ITEM NO.	PART NUMBER	DESCRIPTION	QTY.
1	A-00200	Turntable Weldment	Ref.
2	B01-05-0056 or B01-05-0027	Battery Charger 24V / 40A Linear, 110Volt or Battery Charger 24V / 40A Linear, 230 Volt	1
3	0096-0002	Screw, Hex Head Cap - M6 x 20	4
4	0096-0039	Hex Nut with Nylon Insert, M6	4
5	A-00290	Cover Stop Bracket Replaces A-00277L Effective 2007	1
6	0096-0002	Screw, Hex Head Cap - M6 x 20	2
7	0096-0039	Hex Nut with Nylon Insert, M6	2
8	A-00294	Level Sensor Replaces A-00259 Effective 2007	1
9	0096-0113	Screw, Hex Head Cap - M4 x 16	2
10	0096-0073	Hex Nut with Nylon Insert, M4	2
11	B00-00-0001	Bubble Level, Bull's-eye	1
12	A-00233	Lower Control Mount	1
13	0096-0018	Screw, Hex Head Cap - M10 x 40	2
14	0096-0047	Washer, Nylon - M10	2
15	0096-0041	Hex Nut with Nylon Insert, M10	2
16	A-00238	Lower Control Box	1
16A	A-00082	Loop Back Plug	1
16B	B38-00-0001	Replacement Key - Not Shown	2
17	0096-0002	Screw, Hex Head Cap - M6 x 20	4
18	B01-06-0053	Relay, 24Volts DC 20 Amp with Mounting Bracket	1
19	0096-0125	Screw, Hex Head Cap - M5 x 16	1
20	0096-0126	Hex Nut with Nylon Insert, M5	1

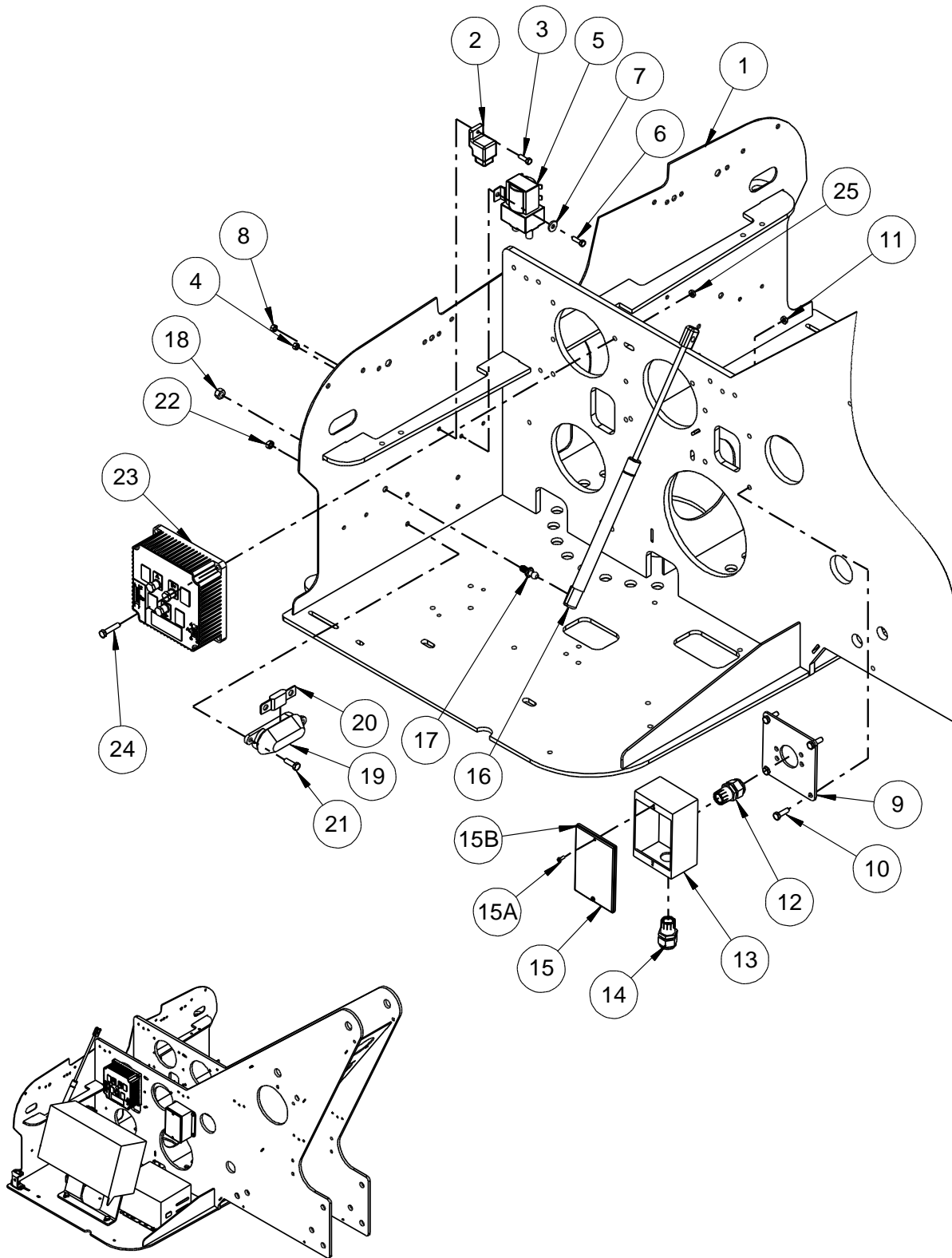
# CONTROL COMPARTMENT ASSEMBLY (CONTINUED) - ANSI ONLY



**CONTROL COMPARTMENT ASSEMBLY (ANSI CONTINUED) - ANSI ONLY**

ITEM NO.	PART NUMBER	DESCRIPTION	QTY.
1	B01-06-0053	Relay, 24V DC 20 Amp with Mounting Bracket	1
2	0096-0125	Screw, Hex Head Cap - M5 x 16	2
3	0096-0126	Hex Nut with Nylon Insert, M5	2
4	B01-06-0058	Contactor, 24 Volts DC	1
5	0096-0061	Washer, Flat - M4	4
6	0096-0113	Screw, Hex Head Cap - M4 x 16	2
7	0096-0073	Hex Nut with Nylon Insert, M4	2
8	A-00200	Turntable Weldment	Ref.
9	A-00287	GFI Mount Plate	1
10	B01-10-0046	Outlet Box - Weather Tite	1
10A	0096-0002	Screw, Hex Head Cap - M6 x 20 - Not Shown	2
10B	0096-0039	Hex Nut with Nylon Insert, M6 - Not Shown	2
11	B01-10-0034	Receptacle - GFI	1
12	A-00288	Cover, Clear Plastic	1
13	B01-09-0029	Cord Grip, Plastic 1/2in	2
14	0096-0002	Screw, Hex Head Cap - M6 x 20	4
15	0096-0039	Hex Nut with Nylon Insert, M6	4
16	A-00274	Gas Spring	1
17	0090-0920	Ball Stud, 10MM	1
18	0090-0185	Hex Nut, Self-Locking, #5/16-18	1
19	B01-10-0331	Fuse Holder	1
20	B01-10-0330	Fuse, 200 Amp	1
21	0096-0001	Screw, Hex Head Cap - M6 x 16	2
22	0096-0039	Hex Nut with Nylon Insert, M6	2
23	A-00297	Motor Controller Replaces A-00255 Effective 2008	1
24	0096-0131	Screw, Hex Head Cap - M6 x 30	4
25	0096-0039	Hex Nut with Nylon Insert, M6	4

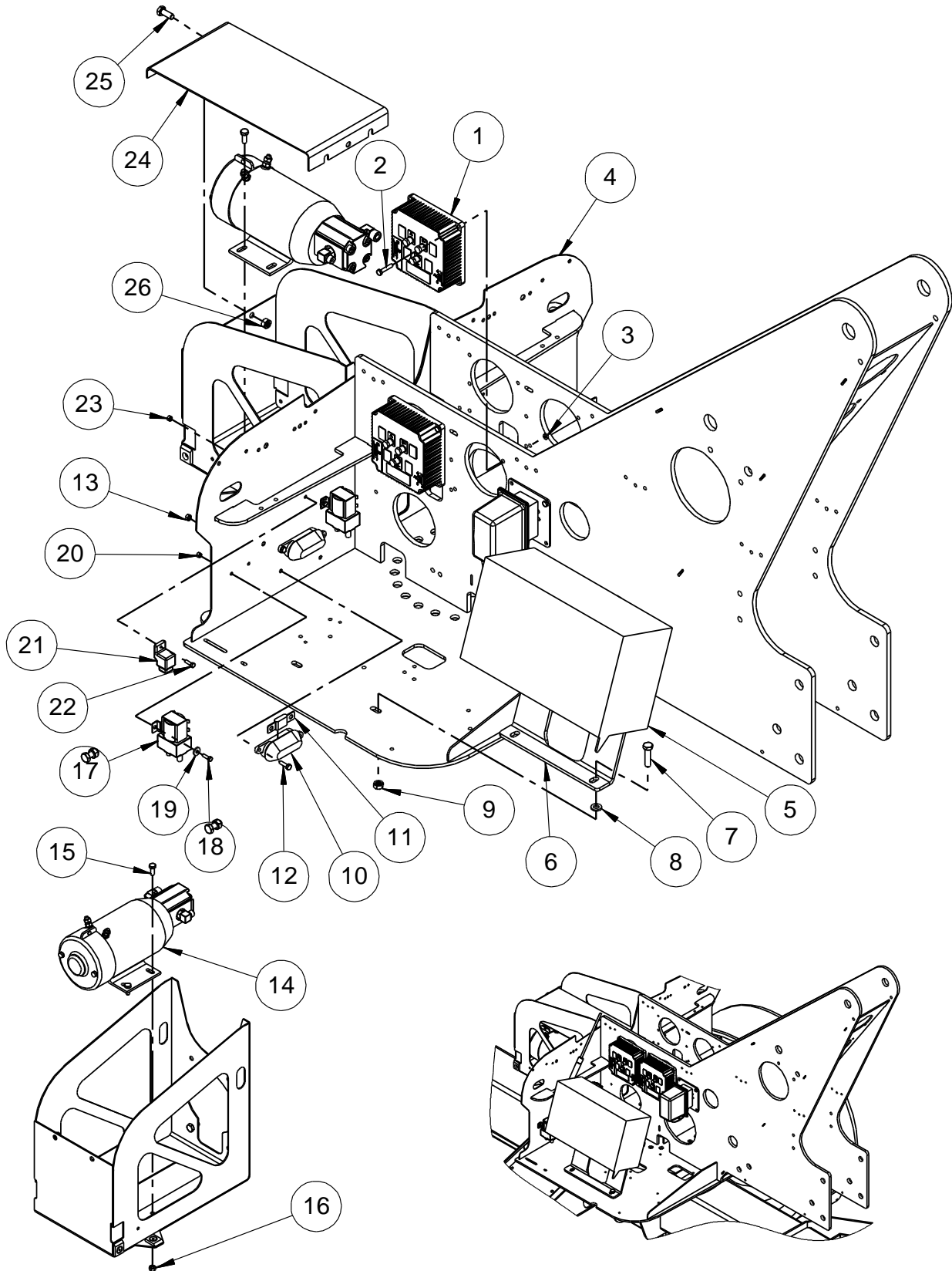
# CONTROL COMPARTMENT ASSEMBLY (CONTINUED) - CE & AUSTRALIA



**CONTROL COMPARTMENT ASSEMBLY (CONTINUED) - CE & AUSTRALIA**

ITEM NO.	PART NUMBER	DESCRIPTION	QTY.
1	A-00200	Turntable Weldment	Ref.
2	B01-06-0053	Relay, 24Volts DC 20 Amp with Mounting Bracket	1
3	0096-0125	Screw, Hex Head Cap - M5 x 16	1
4	0096-0126	Hex Nut with Nylon Insert, M5	1
5	B01-06-0058	Contacto, 24 Volts DC	1
6	0096-0113	Screw, Hex Head Cap - M4 x 16	2
7	0096-0061	Washer, Flat - M4	2
8	0096-0073	Hex Nut with Nylon Insert, M4	2
9	A-00287	GFI Mount Plate	1
10	0096-0002	Screw, Hex Head Cap - M6 x 20	4
11	0096-0039	Hex Nut with Nylon Insert, M6	4
12	B01-09-0029	Cord Grip, Plastic 1/2in	1
13	B01-10-0046	Outlet Box - Weather Tite	1
13A	0096-0002	Screw, Hex Head Cap - M6 x 20 - Not Shown	2
13B	0096-0039	Hex Nut with Nylon Insert, M6 - Not Shown	2
14	B01-09-0009	Cord Grip, Aluminum	1
15	B01-10-0332	Cover	1
15A	-	Screw - Comes with Cover	2
15B	-	Gasket - Comes with Cover	1
16	A-00274	Gas Spring	1
17	0090-0920	Ball Stud, 10MM	1
18	0090-0185	Hex Nut, Self-Locking, #5/16-18	1
19	B01-10-0331	Fuse Holder	1
20	B01-10-0330	Fuse, 200 Amp	1
21	0096-0001	Screw, Hex Head Cap - M6 x 16	2
22	0096-0039	Hex Nut with Nylon Insert, M6	2
23	A-00297	Motor Controller Replaces A-00255 Effective 2008	1
24	0096-0131	Screw, Socket Head Cap - M6 x 30	4
25	0096-0039	Hex Nut with Nylon Insert, M6	4

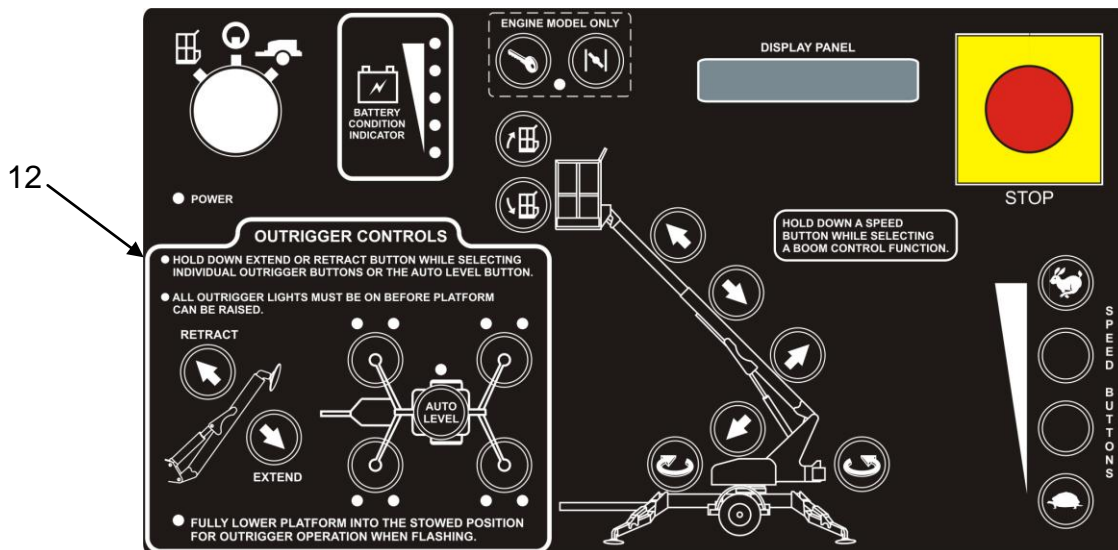
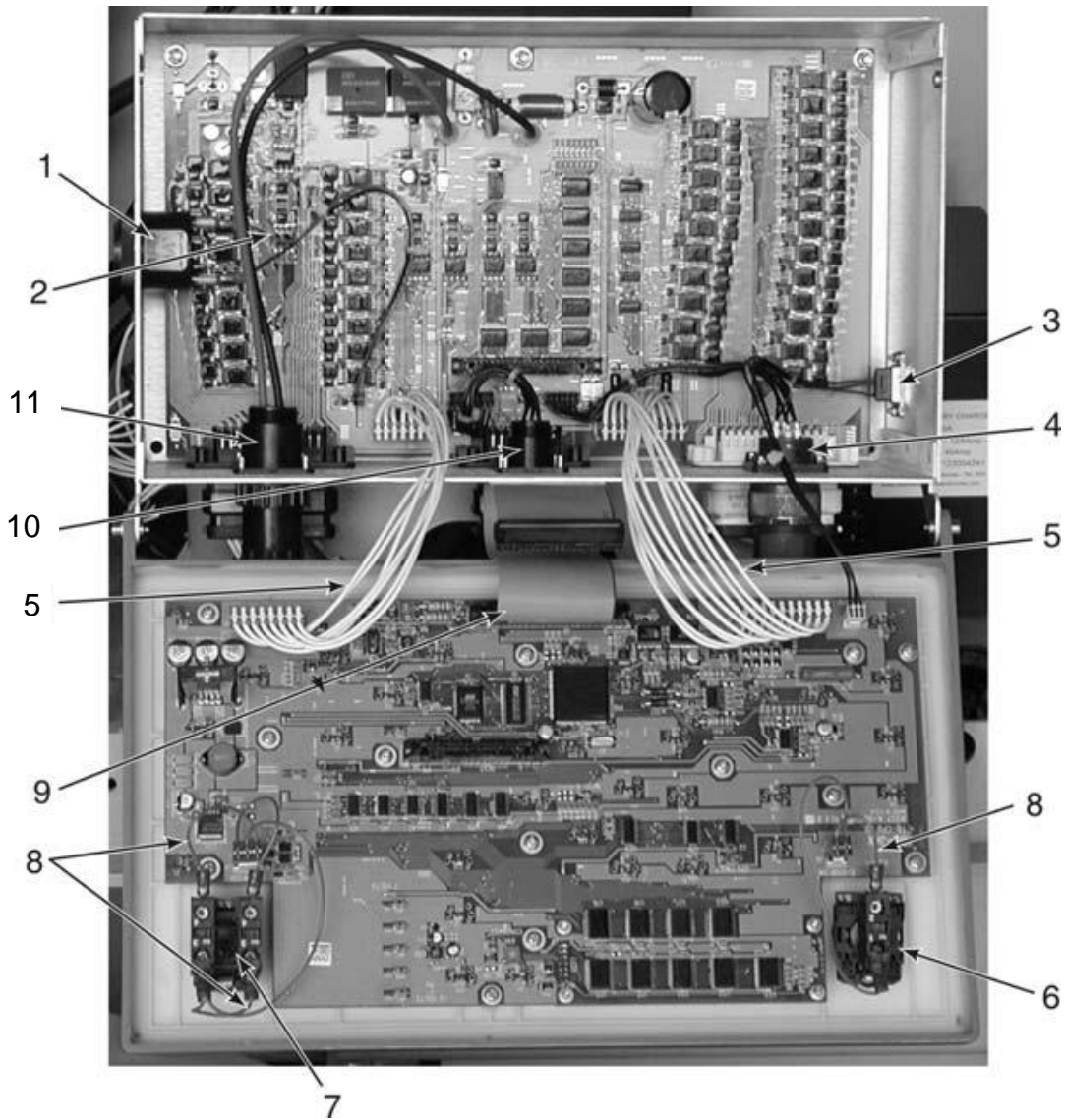
# CONTROL COMPARTMENT ASSEMBLY FOR DRIVE & SET OPTION



## CONTROL COMPARTMENT ASSEMBLY FOR DRIVE & SET OPTION

ITEM NO.	PART NUMBER	DESCRIPTION	QTY.
1	A-00297	Motor Controller Replaces A-00255 Effective 2008	2
2	0096-0131	Screw, Hex Head Cap - M6 x 30	8
3	0096-0039	Hex Nut with Nylon Insert, M6	8
4	A-00200	Turntable Weldment	Ref.
5	A-00238	Lower Control Box	1
5A	A-00082	Loop Back Plug	1
5B	B38-00-0001	Replacement Key - Not Shown	2
6	A-00233	Lower Control Mount	1
7	0096-0018	Screw, Hex Head Cap - M10 x 40	2
8	0096-0047	Washer, Nylon - M10	2
9	0096-0041	Hex Nut with Nylon Insert, M10	2
10	B01-10-0331	Fuse Holder	2
11	B01-10-0330	Fuse, 200 Amp	2
12	0096-0001	Screw, Hex Head Cap - M6 x 16	4
13	0096-0039	Hex Nut with Nylon Insert, M6	4
14	A-00235	Power Unit	1
15	0096-0010	Screw, Hex Head Cap - M8 x 20	4
16	0096-0040	Hex Nut with Nylon Insert - M8	4
17	B01-06-0058	Contactor, 24 Volts DC	2
18	0096-0113	Screw, Hex Head Cap - M4 x 16	4
19	0096-0061	Washer, Flat - M4	8
20	0096-0073	Hex Nut with Nylon Insert, M4	4
21	B01-06-0053	Relay, 24 Volts DC 20 Amp with Mounting Bracket	1
22	0096-0125	Screw, Hex Head Cap - M5 x 16	2
23	0096-0126	Hex Nut with Nylon Insert, M5	2
24	A-00256	Motor Cover	1
25	0096-0016	Screw, Hex Head Cap - M10 x 25	2
26	0096-0041	Hex Nut with Nylon Insert, M10	2

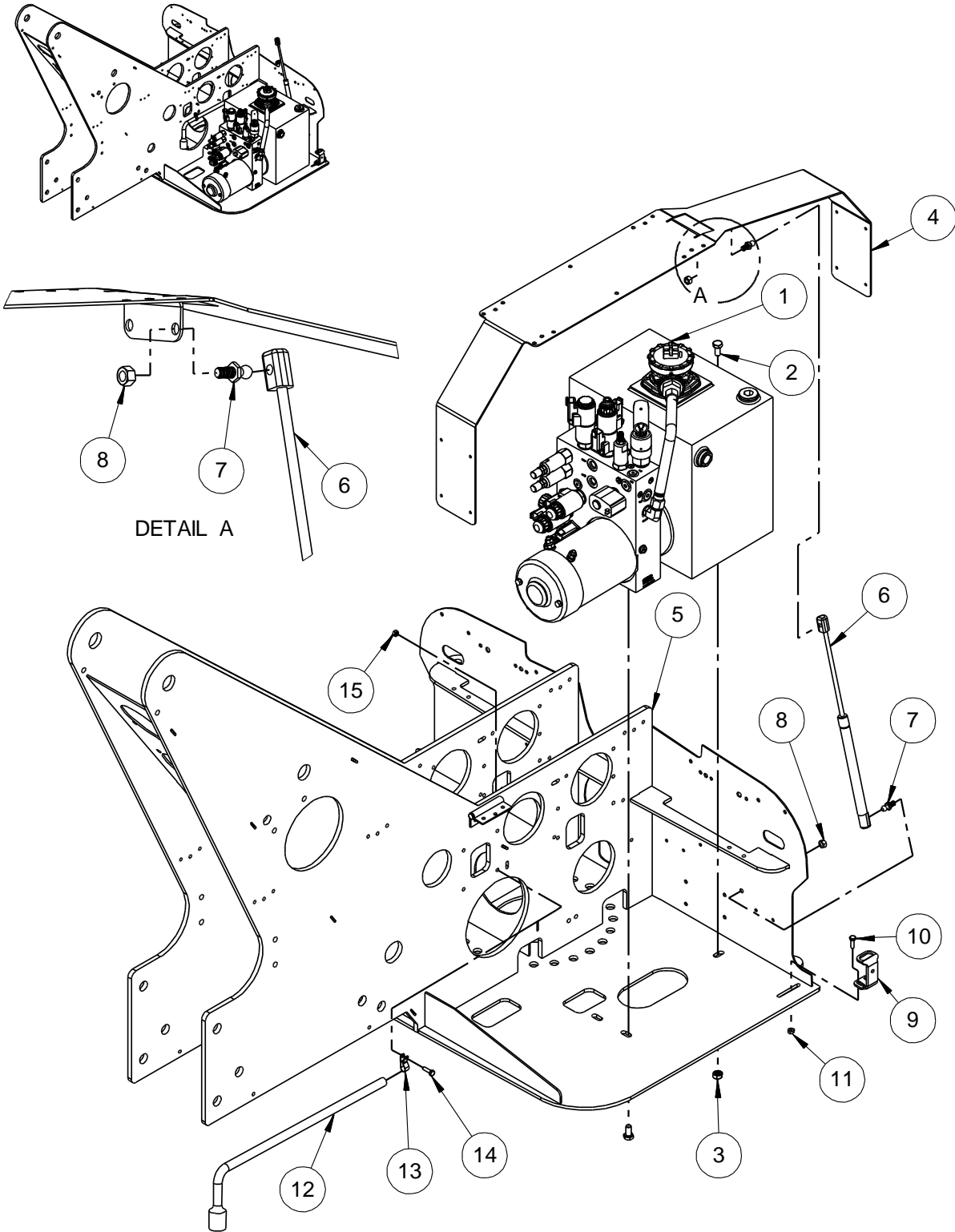
### GROUND (LOWER) CONTROL BOX



## GROUND (LOWER) CONTROL BOX

ITEM NO.	PART NUMBER	DESCRIPTION	QTY.
	A-00238	Ground (Lower) Control Box Complete	1
	A-00238-B	Ground (Lower) Control Box Only	1
1	B01-10-0194	Alarm	1
2	B01-01-0147	Wiring Harness, Alarm	1
3	B01-01-0152	Wiring Harness, DB9	1
4	B01-01-0145	Wiring Harness, Communication	1
5	B01-01-0149	Wiring Harness, MTA	2
6	B01-02-0119	Emergency Stop Button with Contact and Mount	1
7	B01-02-0118	Key Switch, 3 Position	1
8	B01-01-0150	Wiring Harness, Key Switch and Emergency Stop	1
9	B01-01-0151	Ribbon Cable	1
10	B01-01-0146	Wiring Harness, Communication	1
11	B01-01-0148	Wiring Harness, Power	1
12	A-00238-D	Decal, Ground (Lower) Control Box Overlay	1
12A	A-00238-L	Lid with Decal Only – Not Shown	1
13	B01-10-0342	Switch Activating Disk - Not Shown	21
14	B01-10-0400	Standoff, Circuit Board – Not Shown	17
15	B38-00-0001	Replacement Key - Not Shown	1
16	B01-10-0335	CPU Board - Attached to Lid	1
17	B01-10-0336	Driver Board – Attached to Box	1

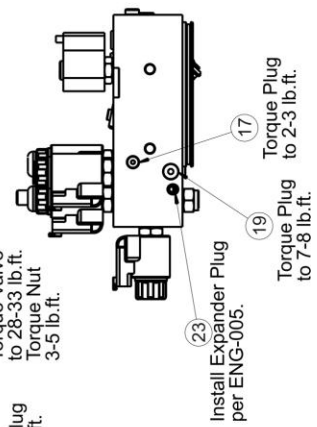
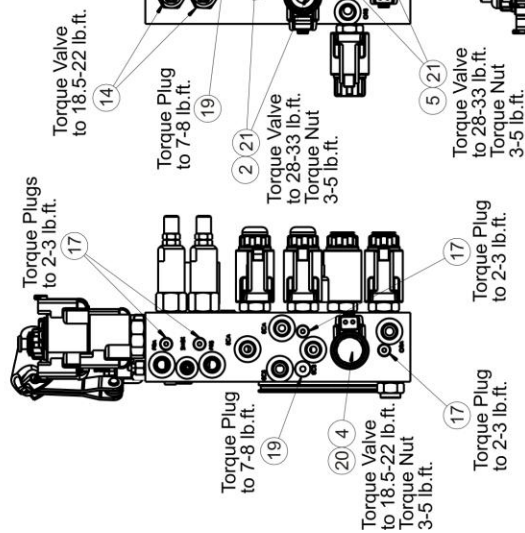
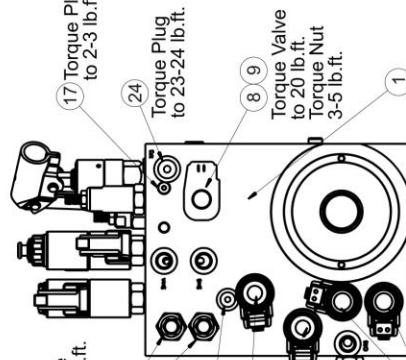
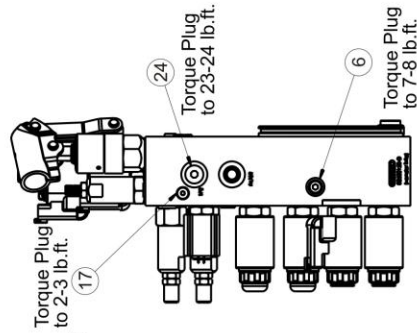
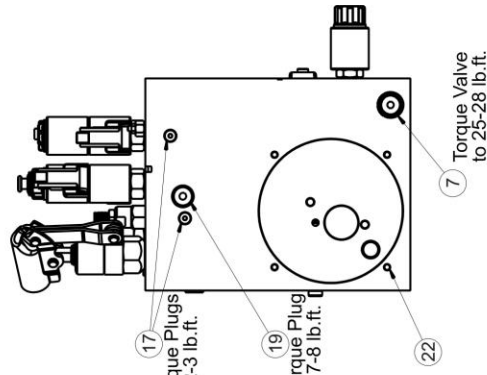
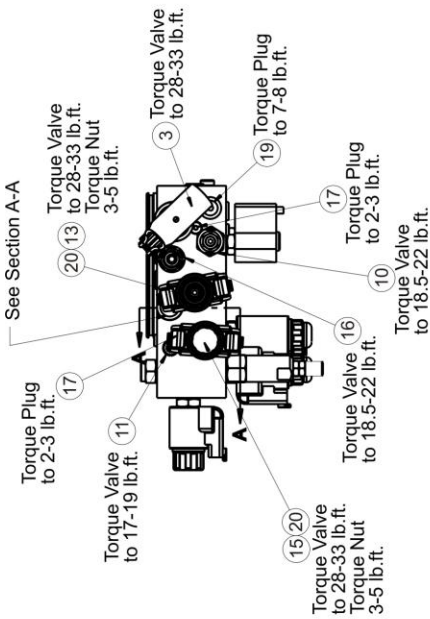
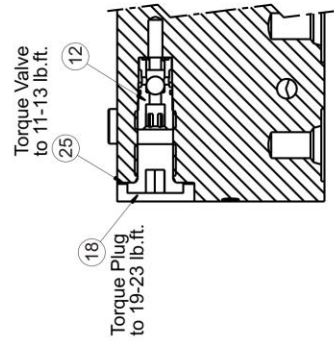
# POWER UNIT COMPARTMENT ASSEMBLY



## POWER UNIT COMPARTMENT ASSEMBLY

ITEM NO.	PART NUMBER	DESCRIPTION	QTY.
1	A-00254HS	Hydraulic Power Unit	1
2	0096-0014	Screw, Hex Head Cap - M10 x 20	3
3	0096-0041	Hex Nut with Nylon Insert - M10	1
4	A-00228	Cover Brace	1
5	A-00200	Turntable Weldment	Ref.
6	A-00274	Gas Spring	1
7	0090-0920	Ball Stud, 10MM	2
8	0090-0185	Hex Nut with Nylon Insert, 5/16-18	2
9	A-00290	Cover Stop Bracket	1
10	0096-0002	Screw, Hex Head Cap - M6 x 20	2
11	0096-0039	Hex Nut with Nylon Insert, M6	2
12	A-00268	Tire Iron / Jack Handle	1
13	B04-07-0033	Clamp	1
14	0096-0002	Screw, Hex Head Cap - M6 x 20	1
15	0096-0039	Hex Nut with Nylon Insert, M6	1

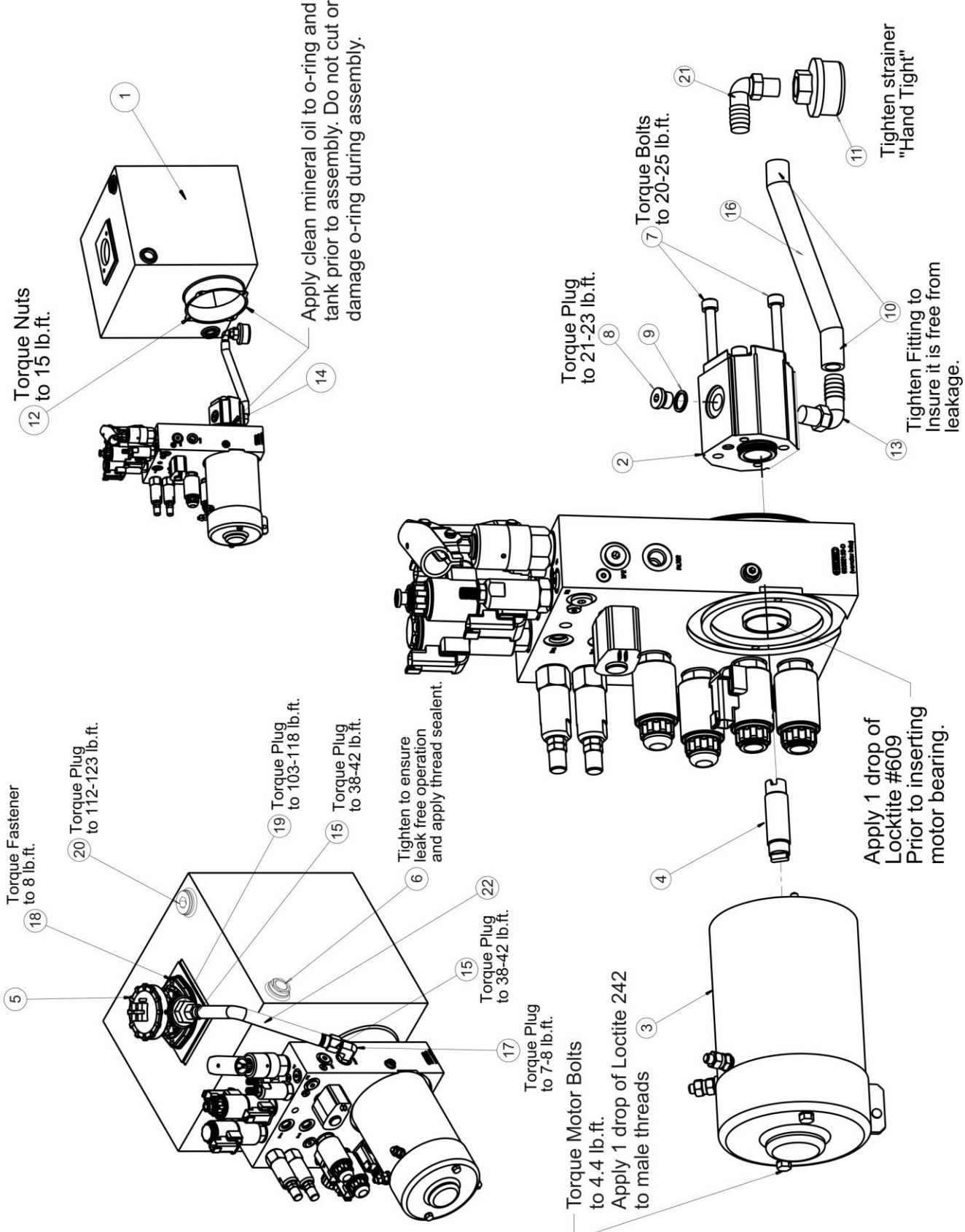
# POWER UNIT COMPONENTS



## POWER UNIT COMPONENTS

ITEM NO.	PART NUMBER	DESCRIPTION	QTY.
1	B02-15-0496	Manifold, Valve Housing	1
2	B02-14-0108	Valve, Counterbalance	2
3	B02-15-0472	Manual Pump, Extend / Retract / Rotate	1
4	B02-14-0089	Valve, Cartridge - Outrigger Check	1
5	B02-14-0109	Valve, Cartridge - Outrigger	2
6	B02-14-0091	Valve, Check	1
7	B02-14-0110	Valve, Check	1
8	B02-14-0094L	Valve, Proportional	1
9	B02-14-0095	Coil Sterling, Proportional Valve	1
10	B02-14-0111	Valve, Relief	1
11	B02-14-0097	Valve, Relief	1
12	B02-14-0098	Valve, Shuttle	1
13	B02-14-0099	Valve, Cartridge - Rotator	1
14	B02-14-0100	Valve, Counterbalance	1
15	B02-14-0101	Valve, Cartridge - Basket Compensate	2
16	B02-14-0114	Valve, Flow Control - Rotator	1
17	B02-02-0245	Fitting, Plug - #2 ORB	11
18	B02-02-0246	Fitting, Hex Plug	1
19	B02-02-0248	Fitting, Plug - #4 ORB	5
20	B02-14-0112	Coil, 20 VDC - #8	5
21	B02-14-0113	Coil, 20 VDC - #10	5
22	B02-15-0497	Stud, #1/4-20 x 5/8	4
23	B02-15-0498	Expansion Plug	1
24	B02-02-0235	Fitting, Plug - #6 ORB	2
25	B02-15-0478	Seal Ring	1

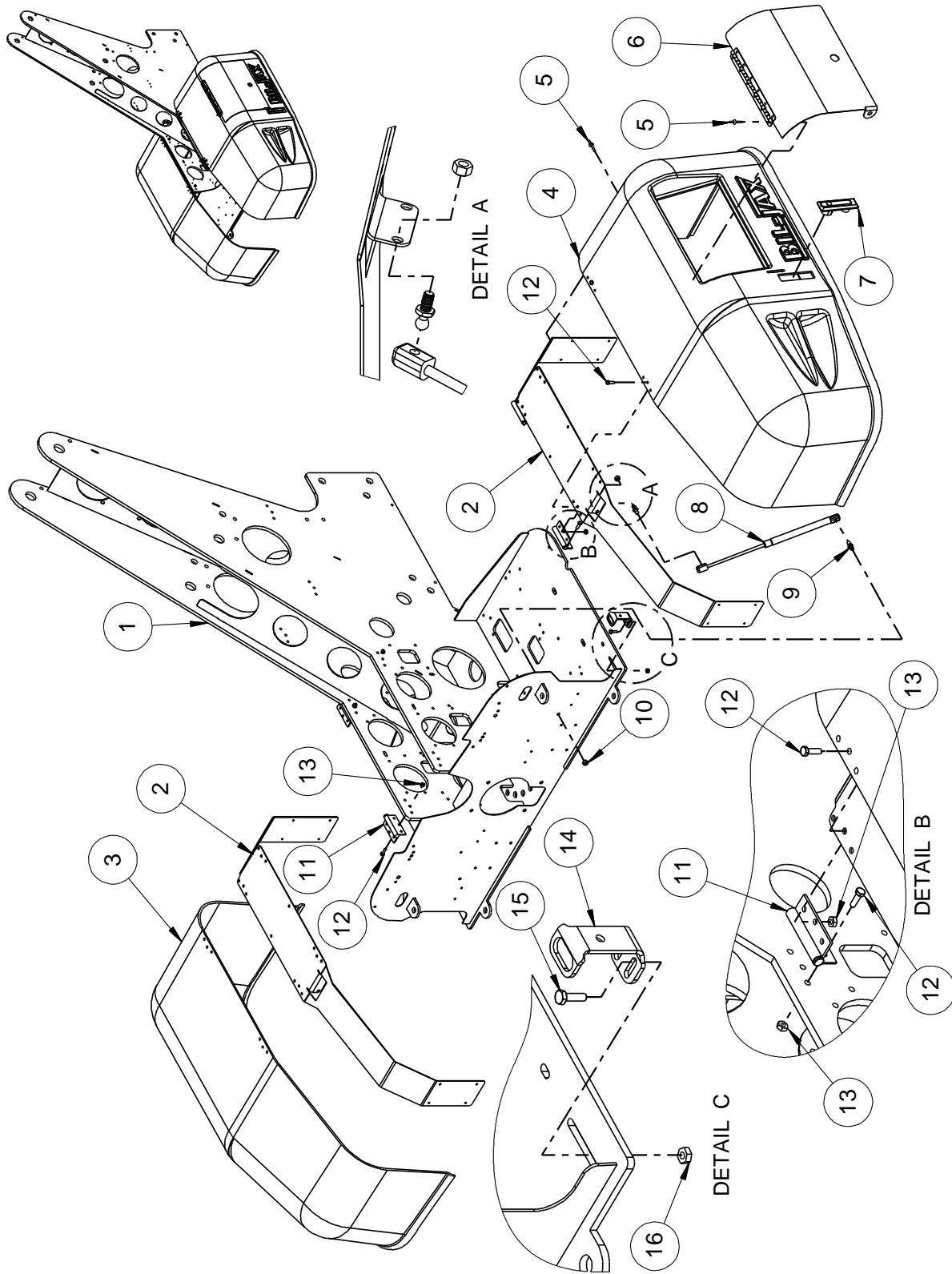
### POWER UNIT COMPONENTS (CONTINUED)



## POWER UNIT COMPONENTS (CONTINUED)

ITEM NO.	PART NUMBER	DESCRIPTION	QTY.
1	B02-15-0513	Reservoir	1
2	B02-15-0470	Pump Assembly, 2.09 CCM	1
3	B02-15-0471	Motor, Pump - 24 V DC	1
4	B02-15-0500	Coupling, .875 x 2.795	1
5	B02-15-0501	Filter, Hydraulic	1
5A	B02-00-0070	Filter Only - Replacement	1
5B	B02-15-0532	Cap & "O" Ring	
5C	B02-15-0533	"O" Ring only	
6	B02-15-0476	Sight Glass	1
7	B02-15-0477	Screw, Socket Head Cap - M8 x 85	2
8	B02-02-0247	Fitting, Plug - M14 x 1.5 x 5.8	1
9	B02-15-0478	Seal Ring	1
10	B02-15-0485	Clamp, Band - #10-16	2
11	B02-15-0480	Filter, Suction	1
12	B02-15-0504	Allen Nut, 1/4-20	4
13	B02-02-0255	Fitting, M18 x HB-90M x HB-90	1
14	B02-15-0503	O-Ring, 110.72 x 3.53 NBR 70 D	1
15	B02-02-0279	Fitting, JIC-8 x Push On FS x PO	2
16	B02-15-0505	Hose, Black - 1/2 x 6"	1
17	B02-02-0280	Fitting, JIC-8 x #6 M x M	1
18	B02-15-0506	Screw, Hex Head Cap - #5/16-18 x 1 1/4	2
19	B02-02-0283	Fitting, JIC-8 x G 3/4 M x M	1
20	B02-02-0281	Fitting, Plug - #12 ORB	2
21	B02-02-0282	Fitting, 3/8 NPT x 1/2 M x HB	1
22	B02-15-0507	Hose, Black - 1/2 x 15"	1
	B02-02-0276	Fitting, Plug - #8 ORB - Under Reservoir	1

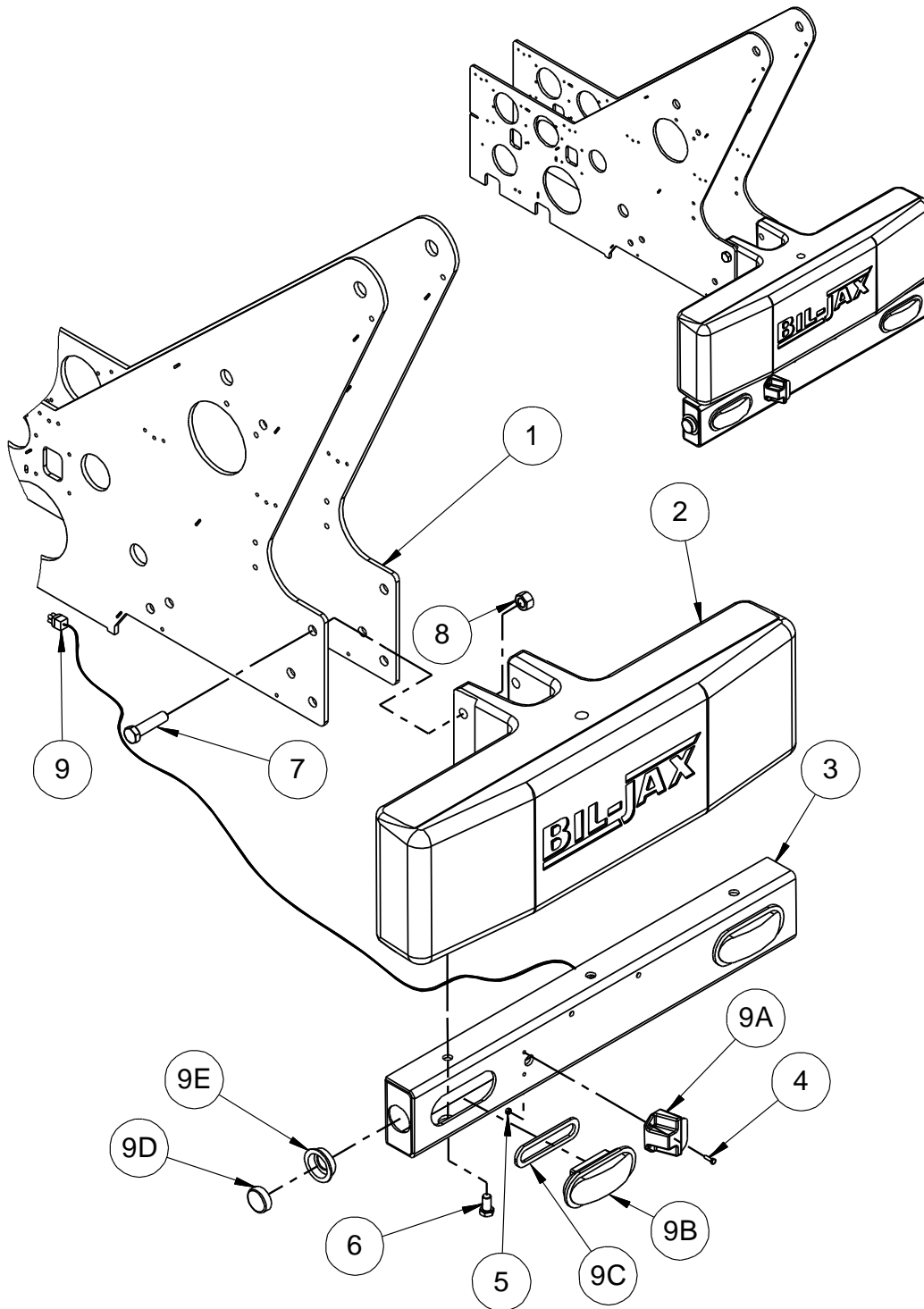
### COVER ASSEMBLY



## COVER ASSEMBLY

ITEM NO.	PART NUMBER	DESCRIPTION	QTY.
1	A-00200	Turntable Weldment	Ref.
2	A-00228	Cover Brace	2
3	A-00239	Cover, Right - Power Unit Replaces A03239 Effective 2007	1
4	A-00240	Cover, Left - Control Replaces A-03240 Effective 2007	1
5	0090-1080	Pop Rivet	22
6	A-00284	Controls Cover Weldment Replaces A-00258 Effective 2007	1
7	A-00292	Cover Latch Assembly Replaces A-00250 Effective 2007	2
7A	A-00293	Key - Not Shown	2
8	A-00274	Gas Spring	2
9	0090-0920	Ball Stud, 10MM	4
10	0090-0185	Hex Nut with Nylon Insert, 5/16-18	4
11	A-00252	Hinge	4
12	0096-0002	Screw, Hex Head Cap - M6 x 20	24
13	0096-0039	Hex Nut with Nylon Insert, M6	24
14	A-00290	Cover Stop Bracket	2
15	0096-0002	Screw, Hex Head Cap - M6 x 20	4
16	0096-0039	Hex Nut with Nylon Insert, M6	4

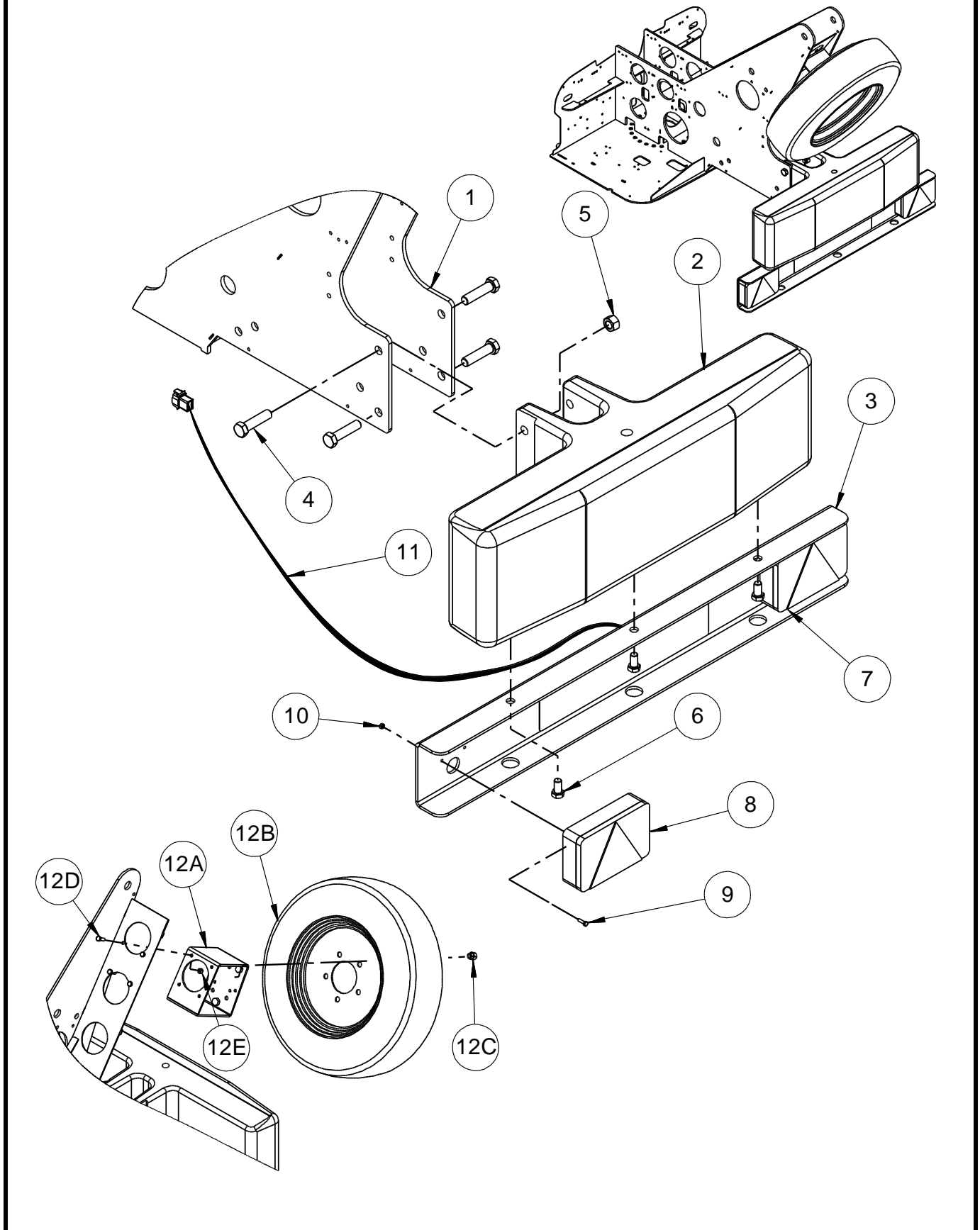
### COUNTER WEIGHT ASSEMBLY (ANSI)



## COUNTER WEIGHT ASSEMBLY (ANSI)

ITEM NO.	PART NUMBER	DESCRIPTION	QTY.
1	A-00200	Turntable Weldment	Ref.
2	A-00270	Counterweight	1
3	A-00285	Light Bracket Weldment	1
4	0096-0002	Screw, Hex Head Cap - M6 x 20	2
5	0096-0039	Hex Nut with Nylon Insert, M6	2
6	0096-0032	Screw, Hex Head Cap - M16 x 30	3
7	0096-0065	Screw, Hex Head Cap - M20 x 80	4
8	0096-0045	Hex Nut with Nylon Insert, M20	4
9	A-00210	Tail Light Kit	1
9A	B01-10-0240	License Plate Lamp	1
9B	B01-10-0235	Tail Light	2
9C	B01-10-0236	Grommet, Tail Light	2
9D	B01-10-0238	Marker Light, Red	2
9E	B01-10-0239	Grommet, Marker Light	2

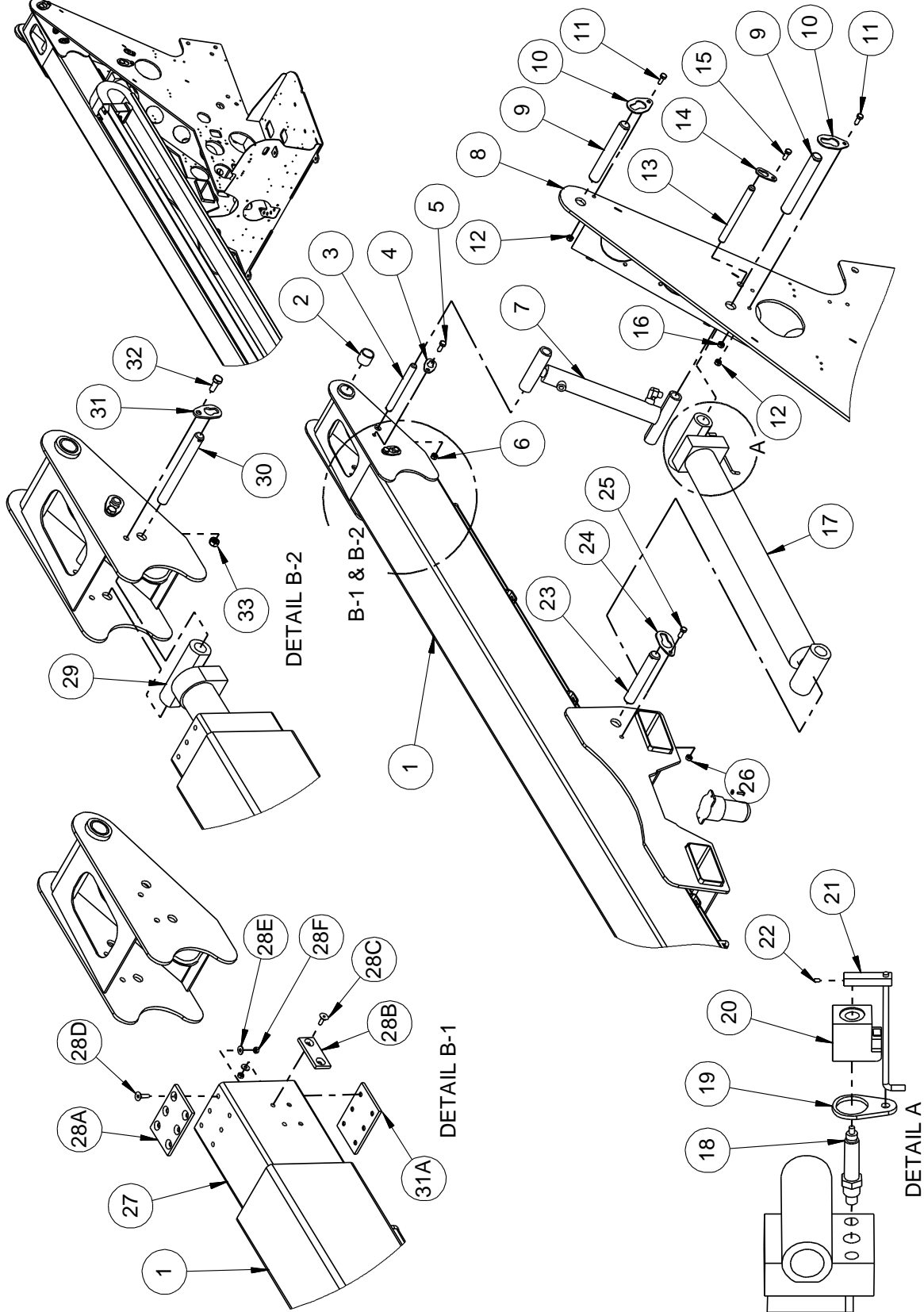
### COUNTER WEIGHT ASSEMBLY (CE & AUSTRALIA)



## COUNTER WEIGHT ASSEMBLY (CE & AUSTRALIA)

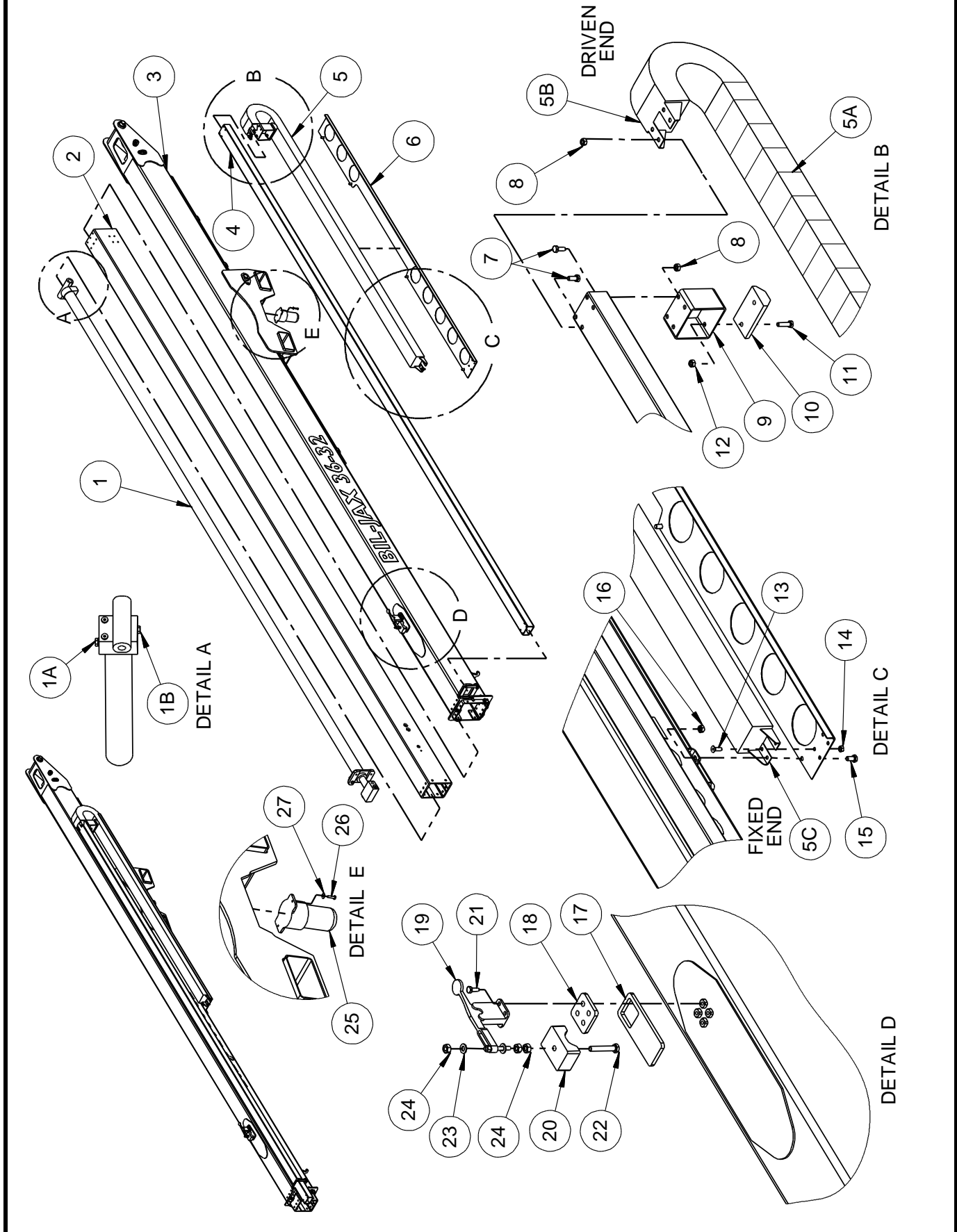
ITEM NO.	PART NUMBER	DESCRIPTION	QTY.
1	A-00200	Turntable Weldment	Ref.
2	A-00270	Counterweight	1
3	A-03621	Light Bracket	1
4	0096-0065	Screw, Hex Head Cap - M20 x 80	4
5	0096-0045	Hex Nut with Nylon Insert, M20	4
6	0096-0032	Screw, Hex Head Cap - M16 x 30	3
7	A-03622R	Tail Light - Right Side	1
8	A-03622L	Tail Light - Left Side	1
9	0096-0002	Screw, Hex Head Cap - M6 x 20	4
10	0096-0039	Hex Nut with Nylon Insert, M6	4
11	A-03609	Harness - Tail Light to Tower	1
12	A-00860	Spare Tire and Mount Kit (Option)	1
12A	A-03331CE	Spare Tire Mount Weldment	1
12B	A-05617	Wheel Assembly	1
12C	0096-0134	Lug Nut - M16	3
12D	0096-0017	Screw, Hex Head Cap - M10 x 30	4
12E	0096-0041	Hex Nut with Nylon Insert, M10	4

# BOOM ASSEMBLY



<b>BOOM ASSEMBLY</b>			
<b>ITEM NO.</b>	<b>PART NUMBER</b>	<b>DESCRIPTION</b>	<b>QTY.</b>
1	A-00502	Telescopic Boom Weldment	1
2	A-00032	Composite Bearing, 1.25 x 1.50 x 1.25	2
3	A-00026	Pin, .75 x 7.0	1
4	A-00017	Pin Retainer, .75	1
5	0096-0016	Screw, Hex Head Cap - M10 x 25	1
6	0096-0041	Hex Nut with Nylon Insert, M10	1
7	A-00552	Hydraulic Master Cylinder	1
7A	B02-13-0130	Seal Kit	1
8	A-00200	Turntable Weldment	Ref.
9	A-00021	Pin, 1.25 x 8.5	2
10	A-00019	Pin Retainer, 1.25	4
11	0096-0016	Screw, Hex Head Cap - M10 x 25	4
12	0096-0041	Hex Nut with Nylon Insert, M10	4
13	A-00024	Pin, .75 x 8.5	1
14	A-00017	Pin Retainer, .75	1
15	0096-0016	Screw, Hex Head Cap - M10 x 25	1
16	0096-0041	Hex Nut with Nylon Insert, M10	1
17	A-00551	Hydraulic Boom Cylinder	1
17A	B02-13-0128	Seal Kit	1
18	B02-04-0101	Valve, Lift Cylinder	1
19	A-00283	Emergency Lower Guide	1
20	B01-08-0019A	Coil, 20 VDC with Weather Pack	1
21	A-00280	Emergency Lower Handle	1
22	0090-1103	Set Screw, 8-32 x 1/4	1
23	A-00023	Pin, 1.25 x 7.25	1
24	A-00019	Pin Retainer, 1.25	1
25	0096-0016	Screw, Hex Head Cap - M10 x 25	1
26	0096-0041	Hex Nut with Nylon Insert, M10	1
27	A-00510	Aluminum Extension Tube	Ref.
28	B22-00-0070	Kit - Wear Pads - Inner	1
28A	A-00540	Wear Pad, Top Rear	2
28B	A-00541	Wear Pad, Side	2
28C	0096-0003	Screw, Flat Head Socket Cap - M6 x 20	4
28D	0096-0006	Screw, Flat Head Socket Cap - M6 x 25	8
28E	0096-0077	Flat Washer, M6	12
28F	0096-0039	Hex Nut with Nylon Insert, M6	12
28G	B33-04-0024	Instructions - Inner Wear Pad Installation - Not Shown	1
29	A-00550	Extension Cylinder	Ref.
29A	B02-13-0132	Seal Kit	1
30	A-00026	Pin, .75 x 7.0	1
31	A-00017	Pin Retainer, .75	1
32	0096-0016	Screw, Hex Head Cap - M10 x 25	1
33	0096-0041	Hex Nut with Nylon Insert, M10	1

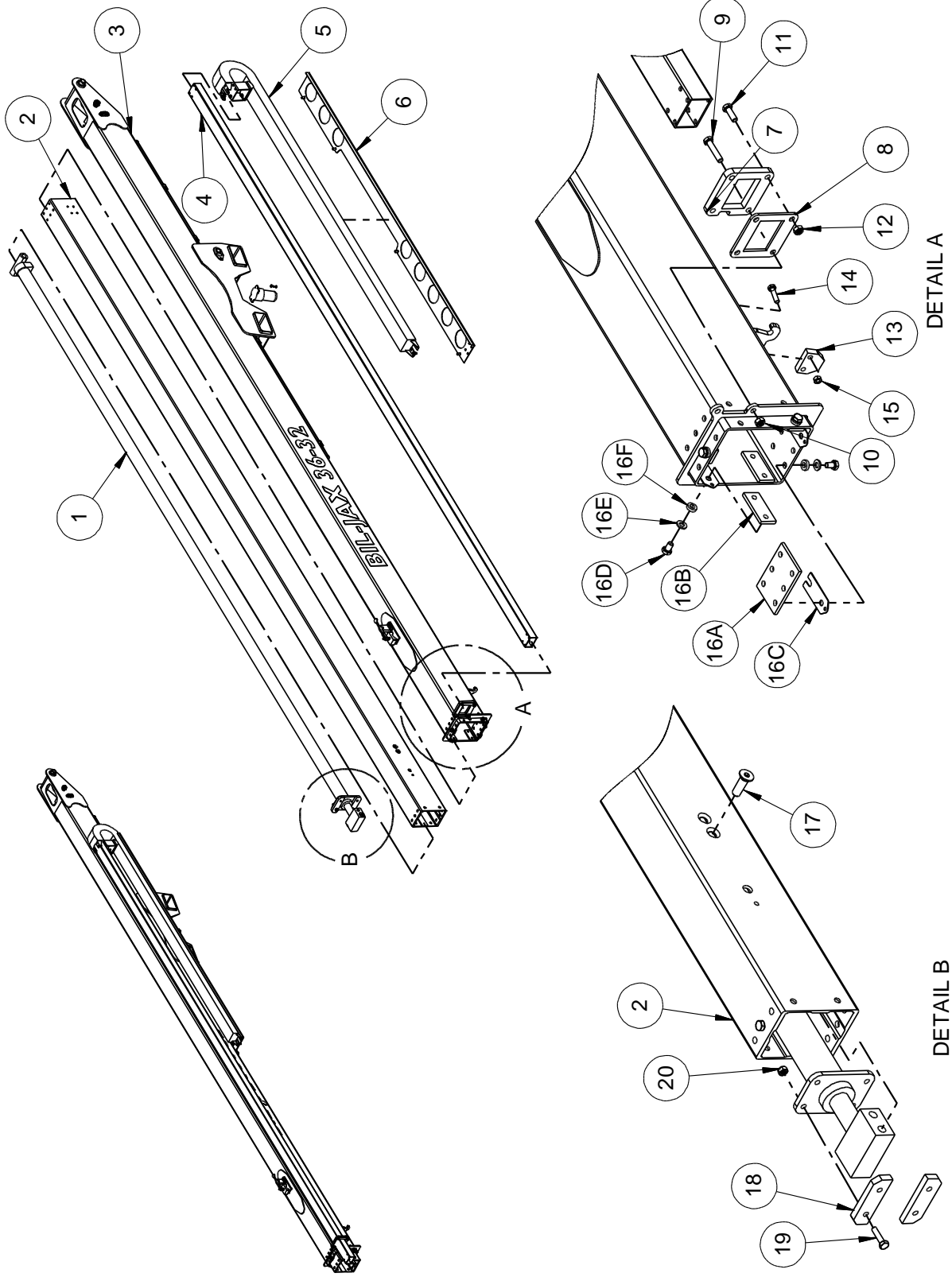
### BOOM ASSEMBLY (CONTINUED)



**BOOM ASSEMBLY (CONTINUED)**

ITEM NO.	PART NUMBER	DESCRIPTION	QTY.
1	A-00550	Extension Cylinder	1
1A	B02-04-0106	1500 PSI Counter Balance Valve	1
1B	B02-04-0105	2500 PSI Counter Balance Valve	1
1C	B02-13-0132	Seal Kit	1
2	A-00510	Telescopic Boom Tube (Aluminum)	1
3	A-00502	Telescopic Boom Weldment	1
4	A-00531	Slide Tube	1
5	A-00520	Cable Track, Single Piece Mounting, Replaces B00-00-0031 Cable Track-41 Links Effective 2010	1
5A	B00-00-0178	Individual Link For A-00520 Replaces B00-00-0074 Effective 2010	1
5B	B00-00-0179	Bracket, Cable Trak - Fixed End - Effective 2010 Replaces B29-00-0166-1 Left Hand B29-00-0166-2 Right Hand	1
5C	B00-00-0180	Bracket, Cable Trak - Driven End - Effective 2010 Replaces B29-00-0165-1 Left Hand B29-00-0165-2 Right Hand	1
6	A-00536	Cable Track Tray	1
7	0096-0010	Screw, Hex Head Cap - M8 x 20	8
8	0096-0040	Hex Nut with Nylon Insert, M8	8
9	A-00538	Cable Support Tube	1
10	A-00539	Cable Slide Block	1
11	0096-0056	Screw, Hex Head Cap - M8 x 30	2
12	0096-0040	Hex Nut with Nylon Insert, M8	2
13	0096-0012	Screw, Flat Head Socket Cap - M8 x 25	4
14	0096-0040	Hex Nut with Nylon Insert, M8	4
15	0096-0014	Screw, Hex Head Cap - M10 x 20	4
16	0096-0041	Hex Nut with Nylon Insert, M10	4
17	A-00470	Cage Storage Pad	1
18	A-00471	Cage Latch Plate	1
19	A-00473	Cage Latch	1
20	A-00469	Cage Latch Pad	1
21	0096-0001	Screw, Hex Head Cap - M6 x 16	4
22	0096-0053	Screw, Hex Head Cap - M8 x 50 Replaces 0096-0049 Effective 2008	1
23	0096-0104	Flat Washer, M8	2
24	0096-0040	Hex Nut with Nylon Insert, M8	4
25	A-00289	Strobe Light Assembly (Option)	1
25A	B01-10-0275	Strobe Light	1
25B	B01-09-0092	Connector Assembly - 2 Female - W/P - Not Shown	1
25C	B01-09-0119	Terminal - Female - W/P - 12/14 gage - Not Shown	2
25D	B01-09-0093	Seal - Wire - W/P - 16/18 gage - Green - Not Shown	2
26	0096-0236	Screw, Round Head Machine - 10-24 x 3/4	2
27	0090-0415	Flat Washer, #10	2

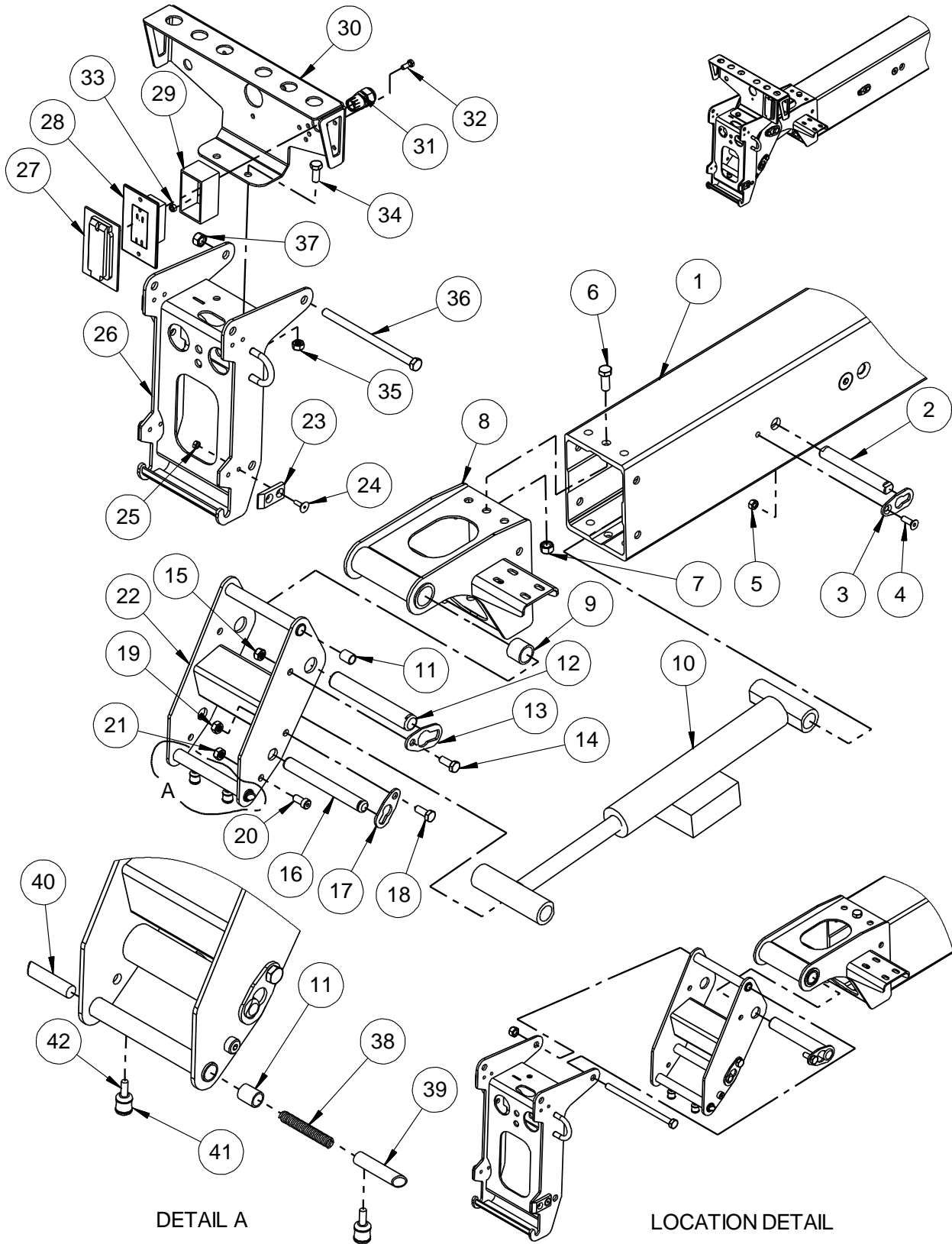
### BOOM ASSEMBLY (CONTINUED)



**BOOM ASSEMBLY (CONTINUED)**

ITEM NO.	PART NUMBER	DESCRIPTION	QTY.
1	A-00550	Extension Cylinder	Ref.
2	A-00510	Telescopic Boom Tube (Aluminum)	Ref.
3	A-00502	Telescopic Boom Weldment	Ref.
4	A-00531	Slide Tube	Ref.
5	A-00520	Cable Track, Single Piece Mounting, Replaces B00-00-0031 Effective 2010	Ref.
6	A-00536	Cable Track Tray	Ref.
7	A-00529	Tube Slider Back	1
8	A-00532	Tube Slider	1
9	0096-0018	Screw, Hex Head Cap - M10 x 40	2
10	0096-0041	Hex Nut with Nylon Insert, M10	2
11	0096-0017	Screw, Hex Head Cap - M10 x 30	2
12	0096-0041	Hex Nut with Nylon Insert, M10	2
13	A-00537	Boom Switch Block	1
14	0096-0098	Screw, Hex Head Cap - M8 x 35	2
15	0096-0040	Hex Nut with Nylon Insert, M8	2
16	B22-00-0069	Kit - Wear Pads - Outer	1
16A	A-00542	Wear Pad Front Bottom	1
16B	A-00533-2	Wear Pad Boom - Gray	5
16C	A-00534	Wear Pad Shim	2-4
16D	0096-0132	Screw, Hex Head Cap - M10 x 16 (Aluminum) Replaces 0096-0013 Effective 2008	14
16E	0096-0119	Flat Washer, M10	14
16F	0096-0047	Washer, Nylon - M10	14
17	0096-0033	Screw, Flat Head Socket Cap - M16 x 35	4
18	A-00535	Slider, Extension Cylinder	2
19	0096-0017	Screw, Hex Head Cap - M10 x 30	4
20	0096-0041	Hex Nut with Nylon Insert, M10	4
21	A-00940	Tire Mount Kit - Spare Tire (Option) - Not Shown	1

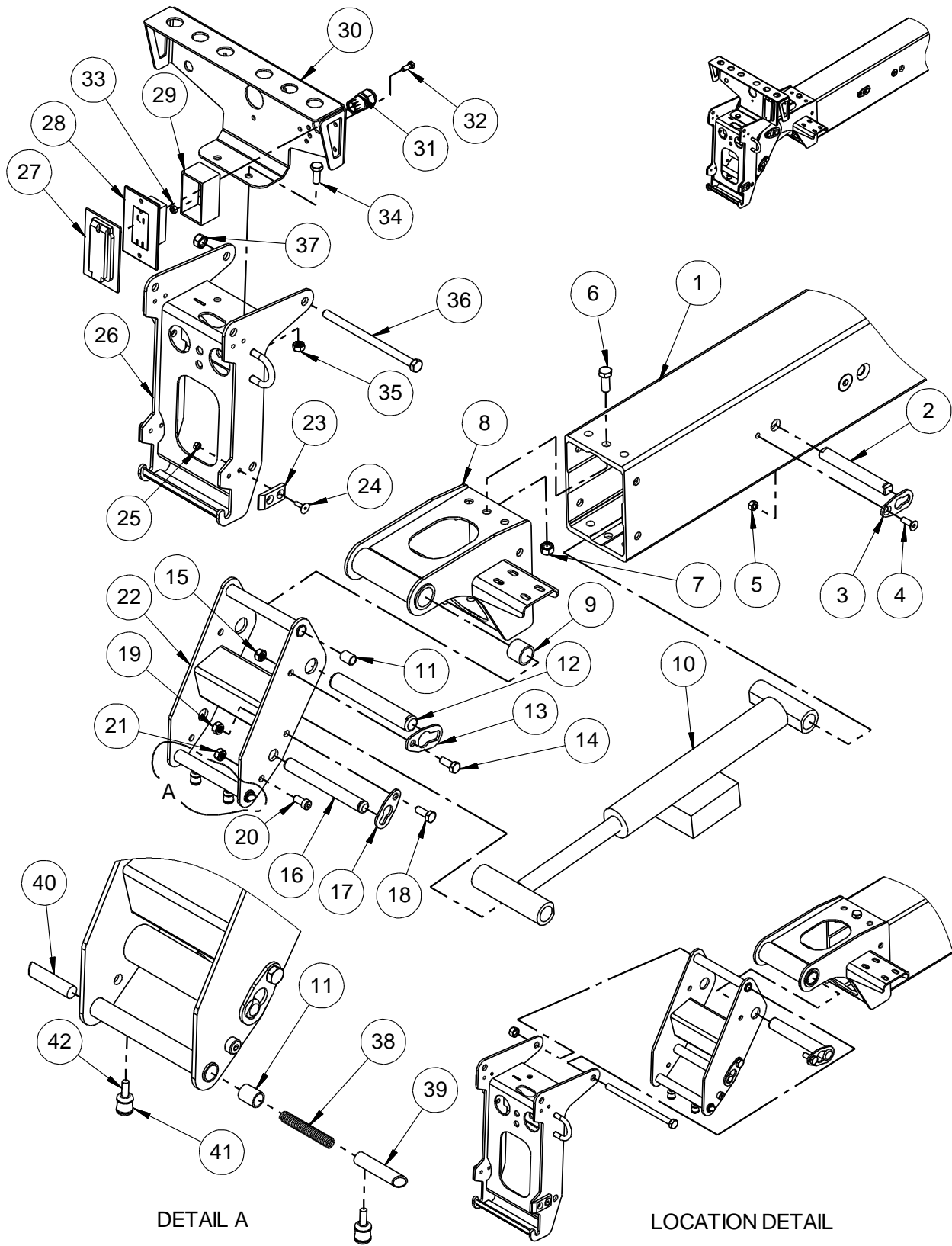
# PLATFORM MOUNT ASSEMBLY (ANSI)



## PLATFORM MOUNT ASSEMBLY (ANSI)

ITEM NO.	PART NUMBER	DESCRIPTION	QTY.
1	A-00510	Telescopic Boom Tube (Aluminum)	Ref.
2	A-00027	Pin, .75 x 5.25	1
3	A-00034	Pin Retainer, .75 - Flat Head	1
4	0096-0012	Screw, Flat Head Cap - M8 x 25	1
5	0096-0040	Lock Nut M8	1
6	0096-0020	Screw, Hex Head Cap - M12 x 30	10
7	0096-0042	Hex Nut with Nylon Insert, M12	10
8	A-00522	Boom End Weldment	1
9	A-00031	Bearing, Composite - 1.00 x 1.25 x 1.00	2
10	A-00553	Slave Cylinder	1
10A	B02-13-0131	Seal Kit	1
10B	B02-04-0095	Valve, Counter Balance - CABG-LHN	2
11	A-00033	Bearing, Composite - .50 x .625 x .75	4
12	A-00025	Pin, 1.0 x 6.5	1
13	A-00018	Pin Retainer. 1.0	1
14	0096-0016	Screw, Hex Head Cap - M10 x 25	1
15	0096-0041	Hex Nut with Nylon Insert, M10	1
16	A-00035	Pin, .75 x 6.5	1
17	A-00017	Pin Retainer, .75	1
18	0096-0016	Screw, Hex Head Cap - M10 x 25	1
19	0096-0041	Hex Nut with Nylon Insert, M10	1
20	0096-0015	Screw, Socket Head Cap - M10 x 20	2
21	0096-0041	Hex Nut with Nylon Insert, M10	2
22	A-00601	Platform Pivot Weldment	1
23	A-00038	Ramp	4
24	0096-0003	Screw, Flat Head Socket Cap - M6 x 20	8
25	0096-0039	Hex Nut with Nylon Insert, M6	8
26	A-00610	Platform Mount Weldment	1
27	B01-10-0392	Cover, GFI Receptacle Replaces B01-10-0035 Effective 2009	1
28	B01-10-0034	Receptacle - GFI	1
28A	A-00288	Plastic Cover	1
28B	0096-0002	Screw, Hex Head Cap - M6 x 20 - Not Shown	2
28C	0096-0039	Hex Nut with Nylon Insert, M6 - Not Shown	2
29	B01-10-0046	Outlet Box - Weather Tite	1
30	A-00979	Bulkhead Mount	1
31	B01-09-0029	Cord Grip, Plastic 1/2in	1
32	0096-0001	Screw, Hex Head Cap - M6 x 16	2
33	0096-0039	Hex Nut with Nylon Insert - M6	2
34	0096-0016	Screw, Hex Head Cap - M10 x 25	2
35	0096-0041	Hex Nut with Nylon Insert, M10	2
36	0096-0055	Screw, Hex Head Cap - M12 x 190	1

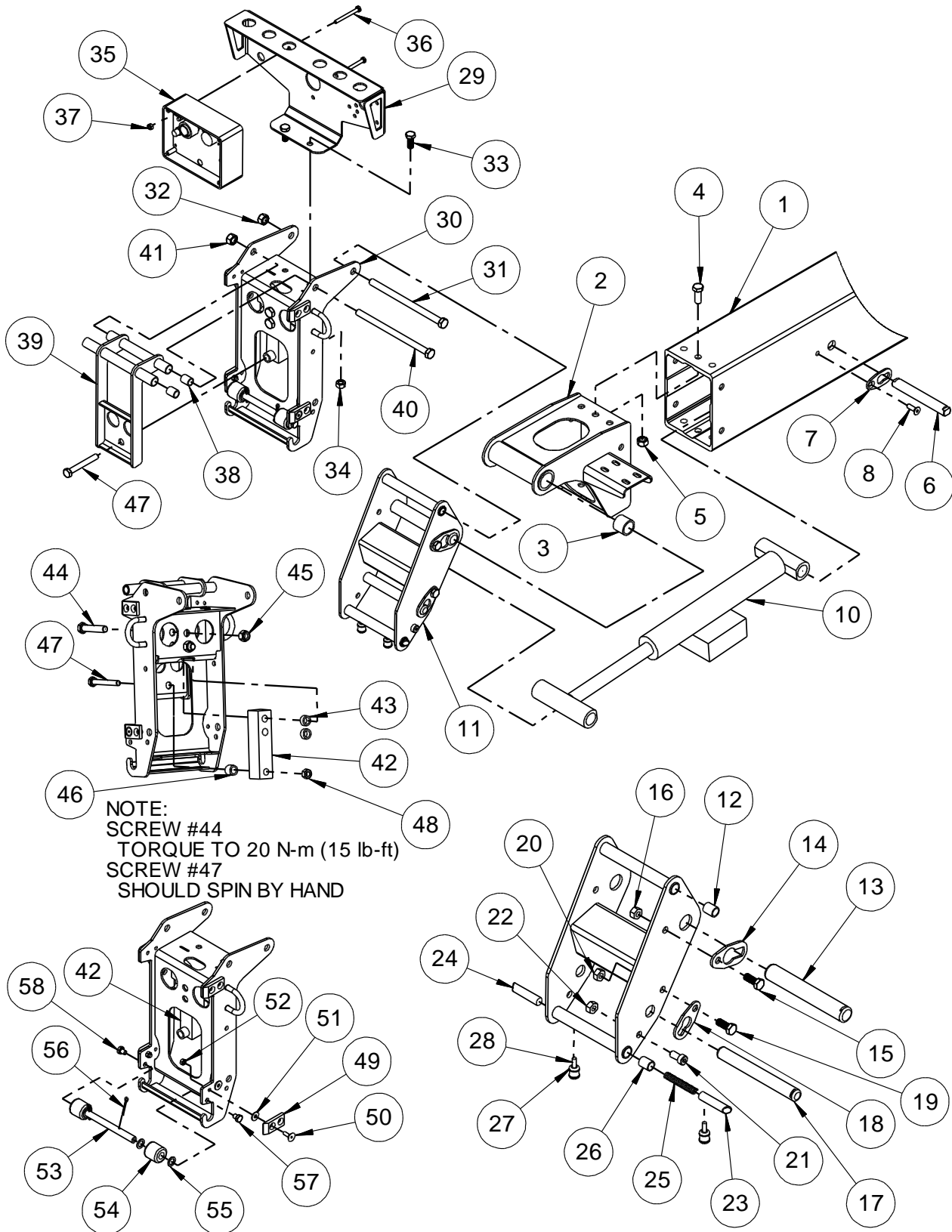
### PLATFORM MOUNT ASSEMBLY (ANSI CONTINUED)



**PLATFORM MOUNT ASSEMBLY (ANSI CONTINUED)**

<b>ITEM NO.</b>	<b>PART NUMBER</b>	<b>DESCRIPTION</b>	<b>QTY.</b>
37	0096-0042	Hex Nut with Nylon Insert, M12	1
38	A-00608	Compression Spring	1
39	A-00606-L	Snap Pin, Left	1
40	A-00606-R	Snap Pin, Right	1
41	A-00609	Knob, Platform Latch	2
42	0090-1112	Roll Pin, 1/4 X 1.5	2

### PLATFORM MOUNT ASSEMBLY (CE)

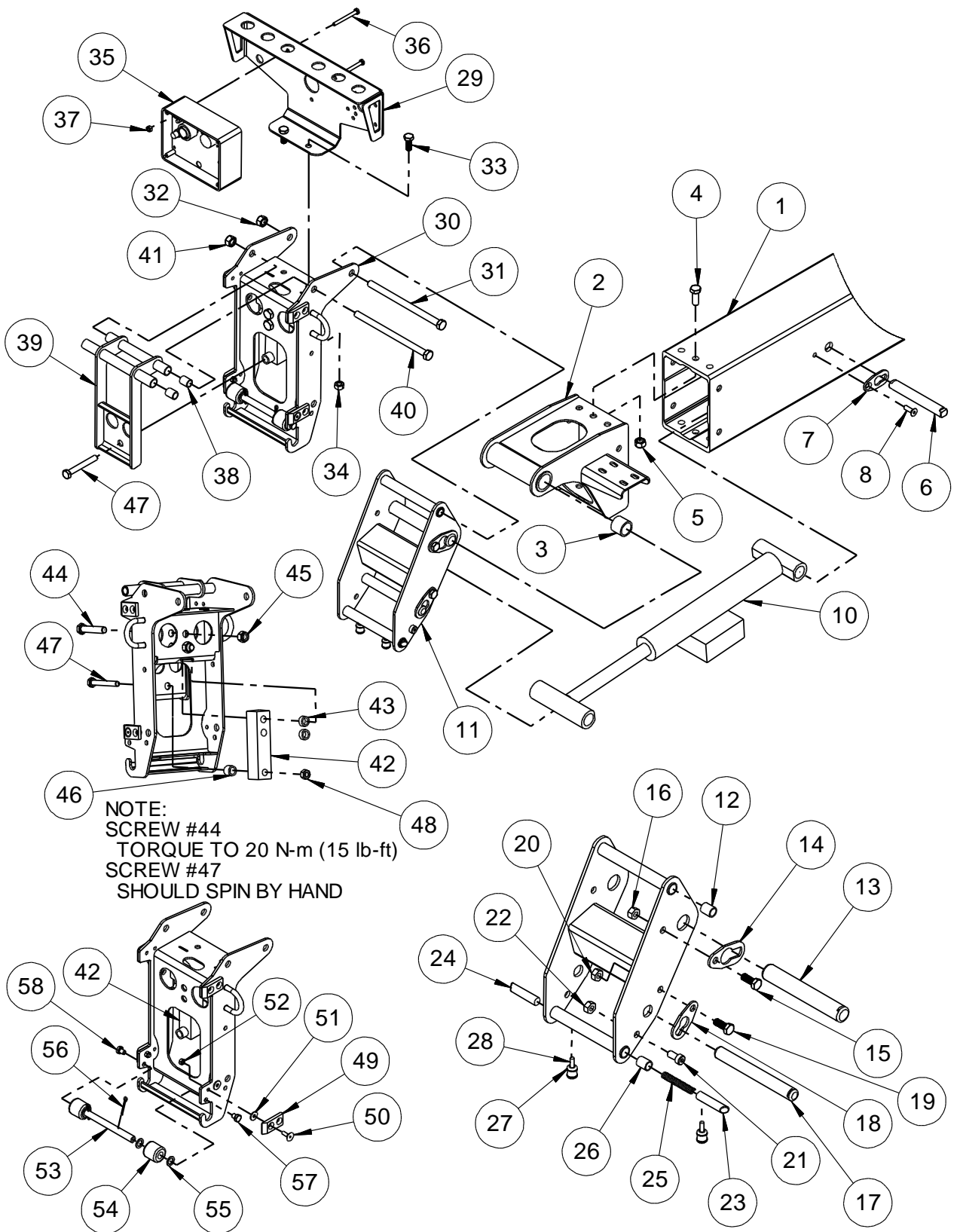


NOTE:  
 SCREW #44  
 TORQUE TO 20 N-m (15 lb-ft)  
 SCREW #47  
 SHOULD SPIN BY HAND

## PLATFORM MOUNT ASSEMBLY (CE)

ITEM NO.	PART NUMBER	DESCRIPTION	QTY.
1	A-00510	Telescopic Boom Tube (Aluminum)	Ref.
2	A-00522	Boom End Weldment	1
3	A-00031	Bearing, Composite - 1.00 x 1.25 x 1.00	2
4	0096-0020	Screw, Hex Head Cap - M12 x 30	10
5	0096-0042	Hex Nut with Nylon Insert, M12	10
6	A-00027	Pin, .75 x 5.25	1
7	A-00034	Pin Retainer, .75 - Flat Head	1
8	0096-0012	Screw, Flat Head Cap - M8 x 25	1
9	0096-0040	Lock Nut M8 - Not Shown	1
10	A-00553	Slave Cylinder	1
10A	B02-13-0131	Seal Kit, For A-00553	1
10B	B02-04-0095	Valve, Counter Balance - CABG-LHN	2
11	A-00601	Platform Pivot Weldment	1
12	A-00033	Bearing, Composite - .50 x .625 x .75	2
13	A-00025	Pin, 1.0 x 6.5	1
14	A-00018	Pin Retainer. 1.0	1
15	0096-0016	Screw, Hex Head Cap - M10 x 25	1
16	0096-0041	Hex Nut with Nylon Insert, M10	1
17	A-00035	Pin, .75 x 6.5	1
18	A-00017	Pin Retainer, .75	1
19	0096-0016	Screw, Hex Head Cap - M10 x 25	1
20	0096-0041	Hex Nut with Nylon Insert, M10	1
21	0096-0015	Screw, Socket Head Cap - M10 x 20	2
22	0096-0041	Hex Nut with Nylon Insert, M10	2
23	A-00606-L	Snap Pin, Left	1
24	A-00606-R	Snap Pin, Right	1
25	A-00608	Compression Spring	1
26	A-00033	Bearing, Composite - .50 x .625 x .75	2
27	A-00609	Knob, Platform Latch	2
28	0090-1112	Roll Pin, 1/4 X 1.5	2

### PLATFORM MOUNT ASSEMBLY (CE CONTINUED)

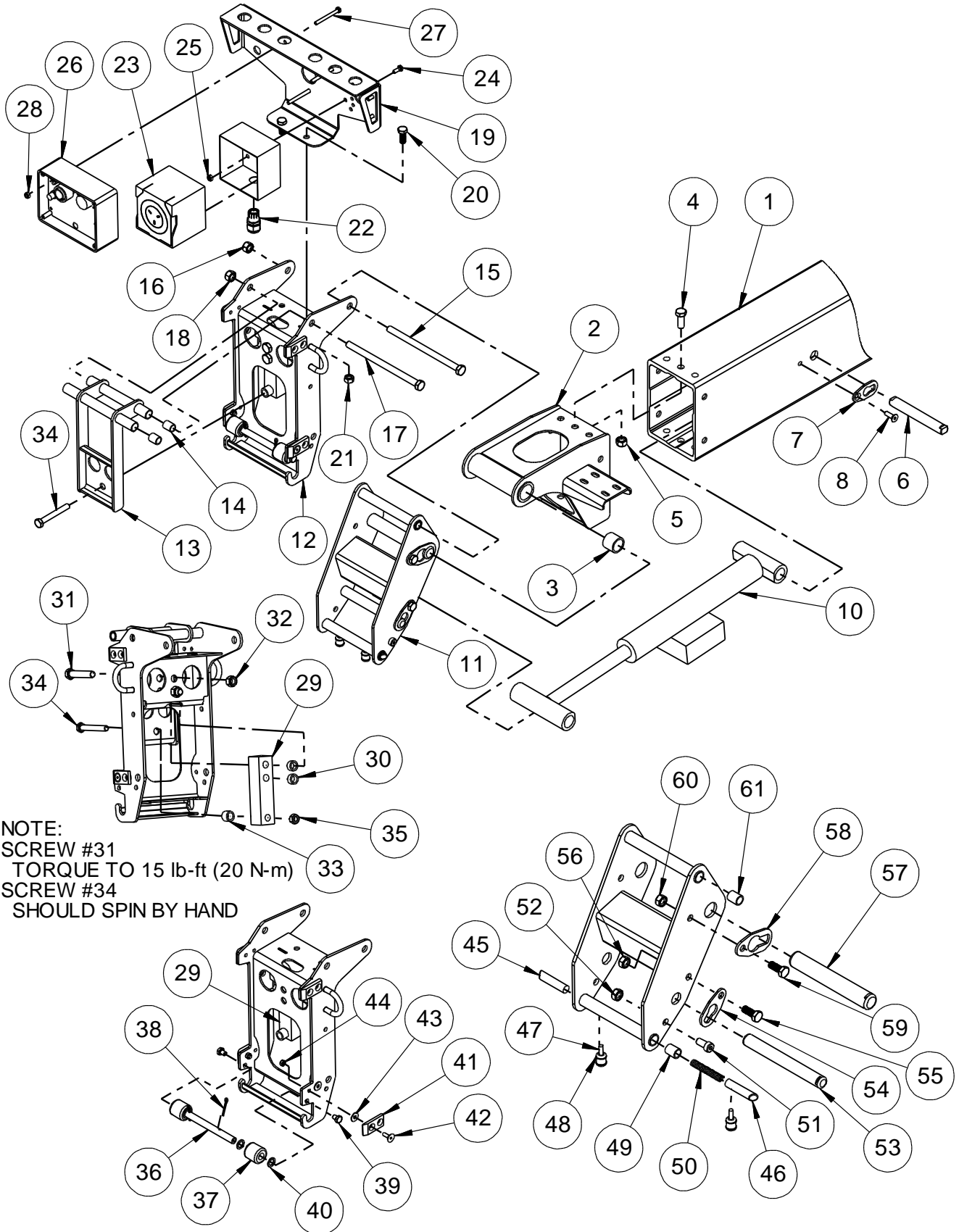


NOTE:  
 SCREW #44  
 TORQUE TO 20 N-m (15 lb-ft)  
 SCREW #47  
 SHOULD SPIN BY HAND

## PLATFORM MOUNT ASSEMBLY (CE CONTINUED)

ITEM NO.	PART NUMBER	DESCRIPTION	QTY.
29	A-00979	Bulkhead Mount	1
30	A-00977	Platform Mount Weldment	1
31	0096-0055	Screw, Hex Head Cap - M12 x 190	1
32	0096-0042	Hex Nut with Nylon Insert, M12	1
33	0096-0016	Screw, Hex Head Cap - M10 x 25	2
34	0096-0041	Hex Nut with Nylon Insert, M10	2
35	A-00992	Load Sense Interface Module	1
36	0096-0085	Screw, Hex Head Cap - M6 x 60	3
37	0096-0039	Hex Nut with Nylon Insert - M6	3
38	A-00033	Bearing, Composite - .50 x .625 x .75	4
39	A-00982	Load Sense Weldment	1
40	0096-0055	Screw, Hex Head Cap - M12 X 190	1
41	0096-0042	Hex Nut with Nylon Insert - M12	1
42	A-00988-1	Load Cell With Turck Connector	1
43	A-00990B	Load Sense Spacer B	2
44	0096-0086	Screw, Hex Head Cap - M12 x 65 NOTE: Torque to 20 N-m (15 lb-ft)	2
45	0096-0042	Hex Nut with Nylon Insert - M12	2
46	A-00990A	Load Sense Spacer A	1
47	0096-0069	Screw, Hex Head Cap - M10 x 75 NOTE: Bolt should Spin by Hand	1
48	0096-0041	Hex Nut with Nylon Insert, M10	1
49	A-00038	Ramp	4
50	0096-0003	Screw, Flat Head Socket Cap - M6 x 20	8
51	0096-0077	Flat Washer, M6	8
52	0096-0039	Hex Nut with Nylon Insert - M6	8
53	A-00994	Load Sense Roller Bar	1
54	A-00995	Load Sense Roller	2
55	0096-0046	Flat Washer, M12	4
56	0090-0147	Cotter Pin, 1/8 x 1 1/4	2
57	0096-0009	Screw, Hex Head Cap - M8 x 10	2

### PLATFORM MOUNT ASSEMBLY (AUSTRALIA)

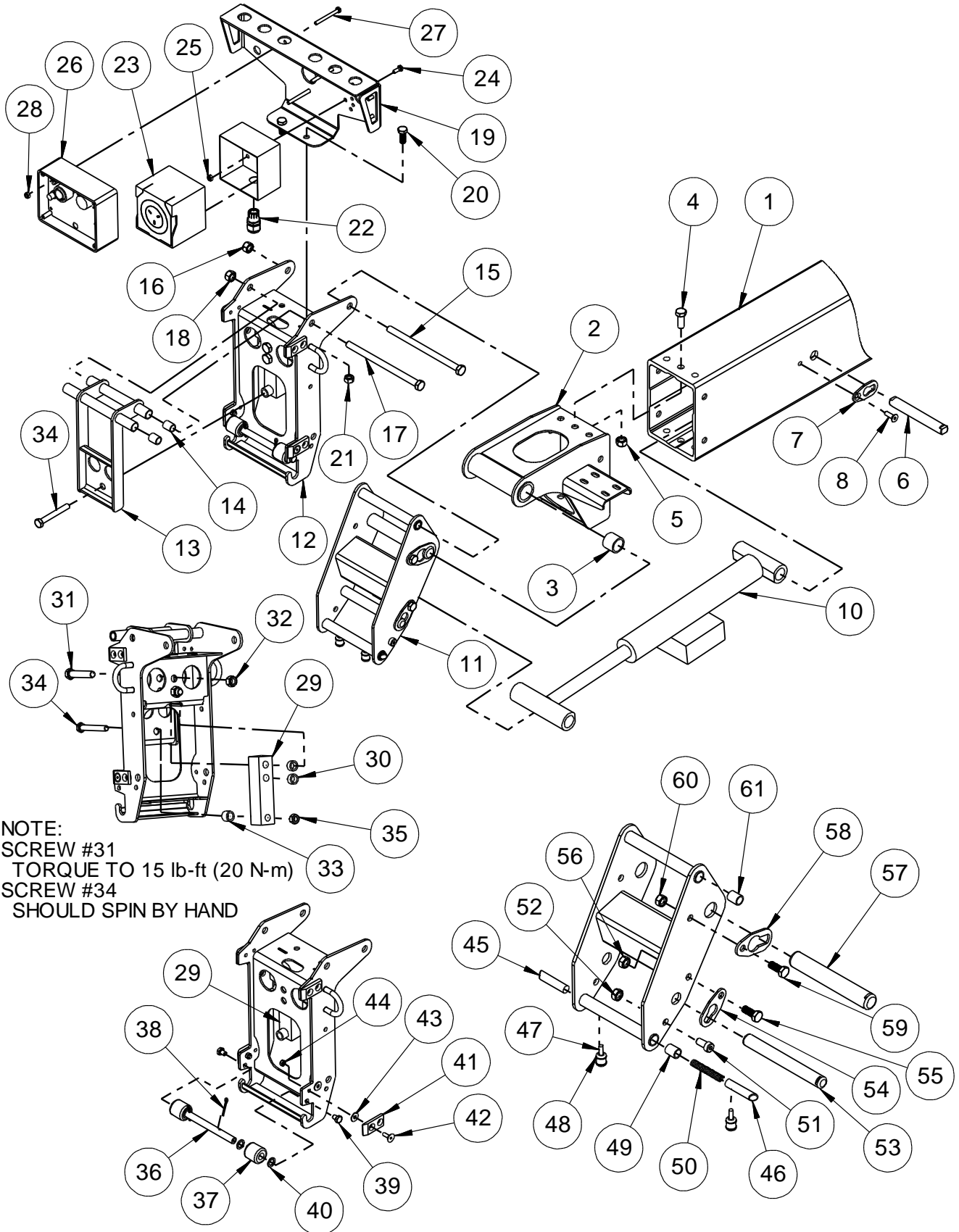


NOTE:  
 SCREW #31  
 TORQUE TO 15 lb-ft (20 N-m)  
 SCREW #34  
 SHOULD SPIN BY HAND

## PLATFORM MOUNT ASSEMBLY (AUSTRALIA)

ITEM NO.	PART NUMBER	DESCRIPTION	QTY.
1	A-00510	Telescopic Boom Tube (Aluminum)	Ref.
2	A-00522	Boom End Weldment	1
3	A-00031	Bearing, Composite - 1.00 x 1.25 x 1.00	2
4	0096-0020	Screw, Hex Head Cap - M12 x 30	10
5	0096-0042	Hex Nut with Nylon Insert, M12	10
6	A-00027	Pin, .75 x 5.25	1
7	A-00034	Pin Retainer, .75 - Flat Head	1
8	0096-0012	Screw, Flat Head Cap - M8 x 25	1
9	0096-0040	Lock Nut M8 - Not Shown	1
10	A-00553	Slave Cylinder	1
10A	B02-13-0131	Seal Kit, For A-00553	1
10B	B02-04-0095	Valve, Counter Balance - CABG-LHN	2
11	A-00601	Platform Pivot Weldment	1
12	A-00977	Platform Mount Weldment	1
13	A-00982	Load Sense Weldment	1
14	A-00033	Bearing, Composite - .50 x .625 x .75	4
15	0096-0055	Screw, Hex Head Cap - M12 x 190	1
16	0096-0042	Hex Nut with Nylon Insert, M12	1
17	0096-0055	Screw, Hex Head Cap - M12 X 190	1
18	0096-0042	Hex Nut with Nylon Insert - M12	1
19	A-00979	Bulkhead Mount	1
20	0096-0016	Screw, Hex Head Cap - M10 x 25	2
21	0096-0041	Hex Nut with Nylon Insert, M10	2
22	B01-09-0144	Cord Grip, Metric	1
23	B01-10-0365	Outlet Box	1
24	0096-0001	Screw, Hex Head Cap - M6 x 16	2
25	0096-0039	Hex Nut with Nylon Insert, M6 (Not Shown)	2
26	A-00992	Load Sense Interface Module	1
27	0096-0085	Screw, Hex Head Cap - M6 x 60	3
28	0096-0039	Hex Nut with Nylon Insert - M6	3

### PLATFORM MOUNT ASSEMBLY (AUSTRALIA CONTINUED)

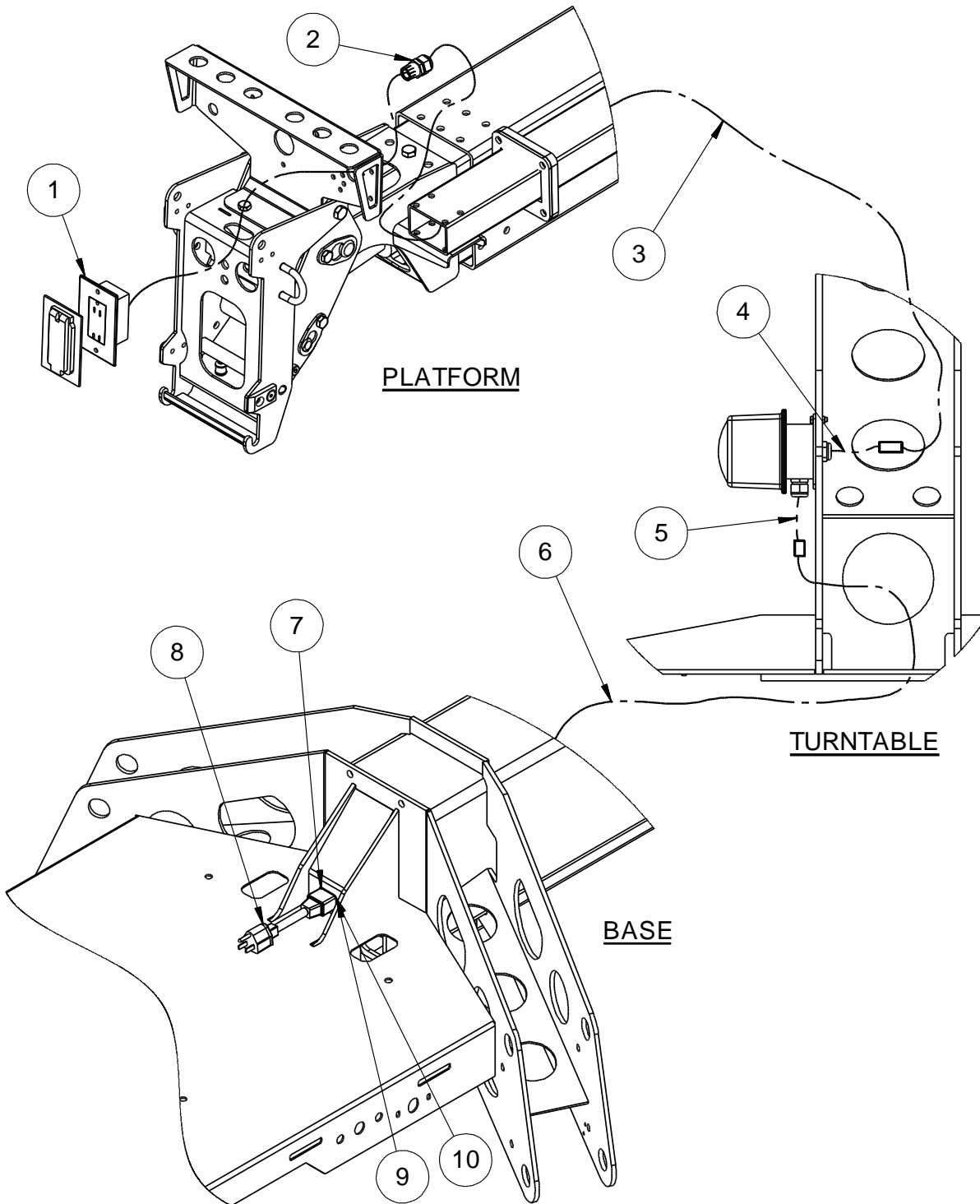


NOTE:  
 SCREW #31  
 TORQUE TO 15 lb-ft (20 N-m)  
 SCREW #34  
 SHOULD SPIN BY HAND

## PLATFORM MOUNT ASSEMBLY (AUSTRALIA CONTINUED)

ITEM NO.	PART NUMBER	DESCRIPTION	QTY.
29	A-00988-1	Load Cell With Turck Connector	1
30	A-00990B	Load Sense Spacer B	2
31	0096-0086	Screw, Hex Head Cap - M12 x 65 NOTE: Torque to 20 N-m (15 lb-ft)	2
32	0096-0042	Hex Nut with Nylon Insert - M12	2
33	A-00990A	Load Sense Spacer A	1
34	0096-0069	Screw, Hex Head Cap - M10 x 75 NOTE: Bolt should Spin by Hand	1
35	0096-0041	Hex Nut with Nylon Insert, M10	1
36	A-00994	Load Sense Roller Bar	1
37	A-00995	Load Sense Roller	2
38	0090-0147	Cotter Pin, 1/8 x 1 1/4	2
39	0096-0009	Screw, Hex Head Cap - M8 x 10	2
40	0096-0046	Flat Washer, M12	4
41	A-00038	Ramp	4
42	0096-0003	Screw, Flat Head Socket Cap - M6 x 20	8
43	0096-0077	Flat Washer, M6	8
44	0096-0039	Hex Nut with Nylon Insert - M6	8
45	A-00606-R	Snap Pin, Right	1
46	A-00606-L	Snap Pin, Left	1
47	0090-1112	Roll Pin, 1/4 X 1.5	2
48	A-00609	Knob, Platform Latch	2
49	A-00033	Bearing, Composite - .50 x .625 x .75	2
50	A-00608	Compression Spring	1
51	0096-0015	Screw, Socket Head Cap - M10 x 20	2
52	0096-0041	Hex Nut with Nylon Insert, M10	2
53	A-00035	Pin, .75 x 6.5	1
54	A-00017	Pin Retainer, .75	1
55	0096-0016	Screw, Hex Head Cap - M10 x 25	1
56	0096-0041	Hex Nut with Nylon Insert, M10	1
57	A-00025	Pin, 1.0 x 6.5	1
58	A-00018	Pin Retainer. 1.0	1
59	0096-0016	Screw, Hex Head Cap - M10 x 25	1
60	0096-0041	Hex Nut with Nylon Insert, M10	1
61	A-00033	Bearing, Composite - .50 x .625 x .75	2

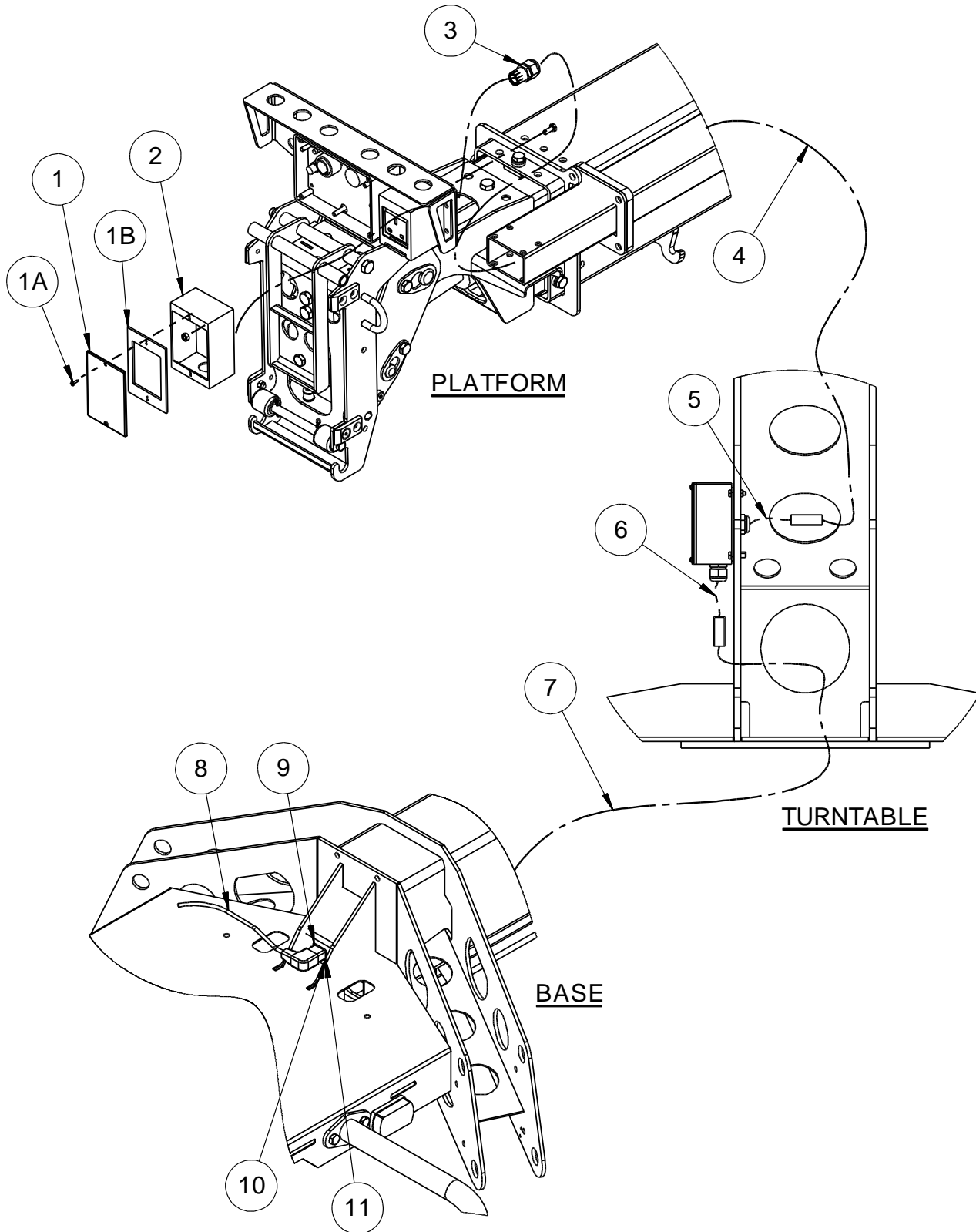
### AC POWER HOOK-UP ASSEMBLY (ANSI)



**POWER HOOK-UP ASSEMBLY (ANSI)**

<b>ITEM NO.</b>	<b>PART NUMBER</b>	<b>DESCRIPTION</b>	<b>QTY.</b>
1	B01-10-0046	Outlet Box	2
2	B01-09-0029	Cord Grip, Plastic 1/2in	3
3	A-00722	Harness, Wire AC - 110 Volt to Platform	1
4	B01-01-0195	Wire Assembly, GFI Box - Cage	1
5	B01-01-0194	Wire Assembly, GFI Box - Trailer	1
6	A-00944	Wire Assembly, 110 Volt	1
7	A-00178	Connector, 16/20 Amp	1
8	A-00179	Cord Assembly	1
9	A-00186	Lock, Connector	1
10	0090-1081	Screw, Pan Head Sheet Metal - # 4 x 3/4	2

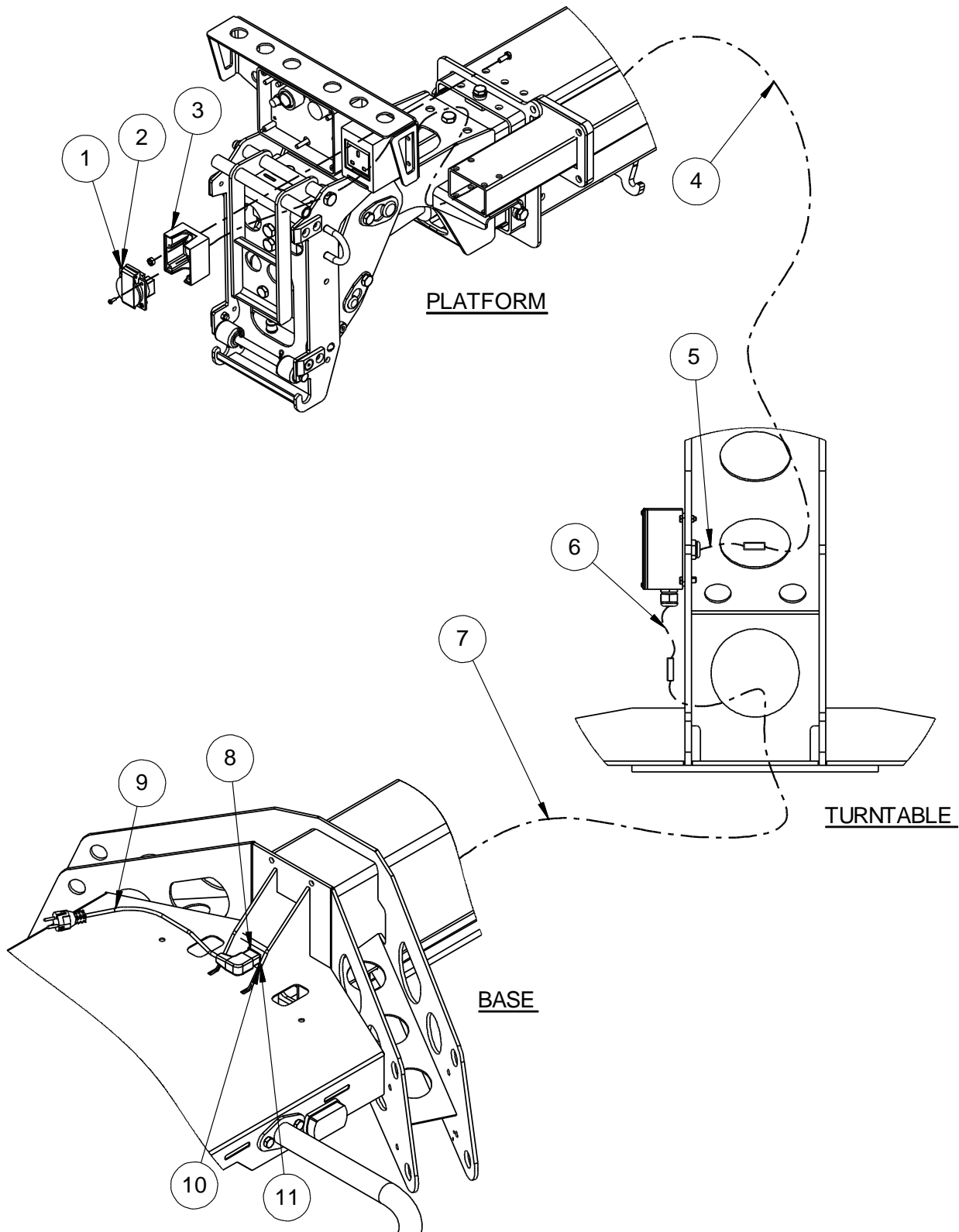
### AC POWER HOOK-UP ASSEMBLY – UNIVERSAL



## POWER HOOK-UP ASSEMBLY – UNIVERSAL

ITEM NO.	PART NUMBER	DESCRIPTION	QTY.
1	B01-10-0332	Cover	1
1A	-	Screw - Comes with Cover	1
1B	-	Gasket - Comes with Cover	2
2	B01-10-0046	Outlet Box	1
3	B01-09-0029	Cord Grip, Plastic 1/2in	3
4	A-00722	Wire Harness - AC - 110 Volt	1
5	B01-01-0195	Wire Assembly - Platform to Turntable	1
6	B01-01-0194	Wire Assembly - Turntable to Base	1
7	A-00944	Wire Assembly - 110 Volt	1
8	B01-10-0360	Cord Assembly	1
9	A-00178	Connector, 16/20 Amp	1
10	A-00186	Lock, Connector	1
11	0090-1081	Screw, Pan Head Sheet Metal - # 4 x 3/4	2

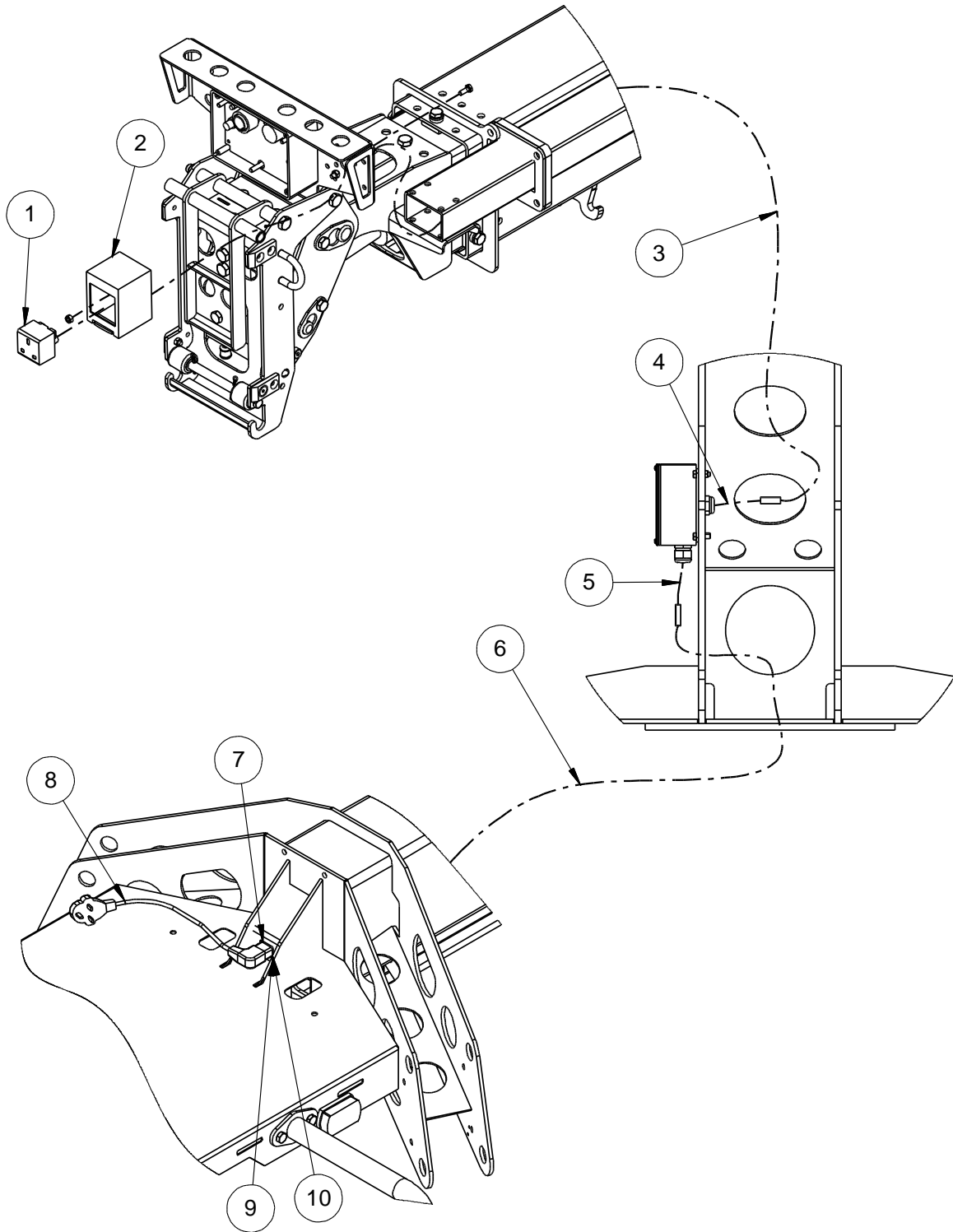
# AC POWER HOOK-UP ASSEMBLY – CONTINENTAL EUROPE



## POWER HOOK-UP ASSEMBLY – CONTINENTAL EUROPE

ITEM NO.	PART NUMBER	DESCRIPTION	QTY.
1	B01-10-0351	Socket	1
2	B01-10-0350	Gasket	1
3	B01-10-0349	Box	1
3A	-	Screw - Comes with Box	4
4	A-00722	Wire Harness - AC - 110 Volt	1
5	B01-01-0195	Wire Assembly - Platform to Turntable	1
6	B01-01-0194	Wire Assembly - Turntable to Base	1
7	A-00944	Wire Assembly - 110 Volt	1
8	A-00178	Connector, 16/20 Amp	1
9	B01-10-0348	Cord Assembly	1
10	A-00186	Lock, Connector	1
11	0090-1081	Screw, Pan Head Sheet Metal - # 4 x 3/4	2

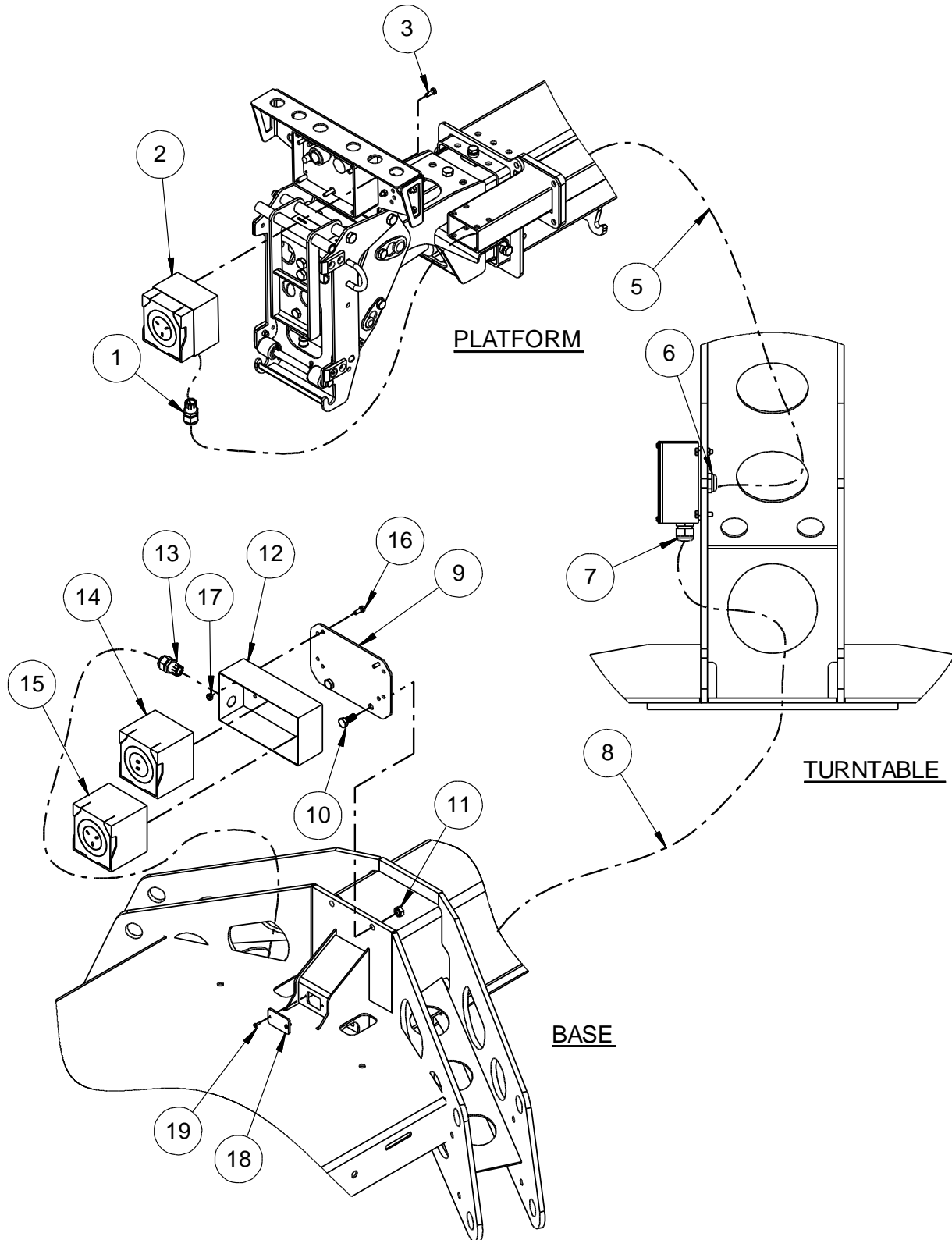
### AC POWER HOOK-UP ASSEMBLY – UNITED KINGDOM



**POWER HOOK-UP ASSEMBLY – UNITED KINGDOM**

<b>ITEM NO.</b>	<b>PART NUMBER</b>	<b>DESCRIPTION</b>	<b>QTY.</b>
1	B01-10-0384	Receptacle	1
2	B01-10-0385	Box	1
3	A-00722	Wire Harness - AC - 110 Volt	1
4	B01-01-0195	Wire Assembly - Platform to Turntable	1
5	B01-01-0194	Wire Assembly - Turntable to Base	1
6	A-00944	Wire Assembly - 110 Volt	1
7	A-00178	Connector, 16/20 Amp	1
8	B01-10-0382	Cord Assembly	1
9	A-00186	Lock, Connector	1
10	0090-1081	Screw, Pan Head Sheet Metal - # 4 x 3/4	2

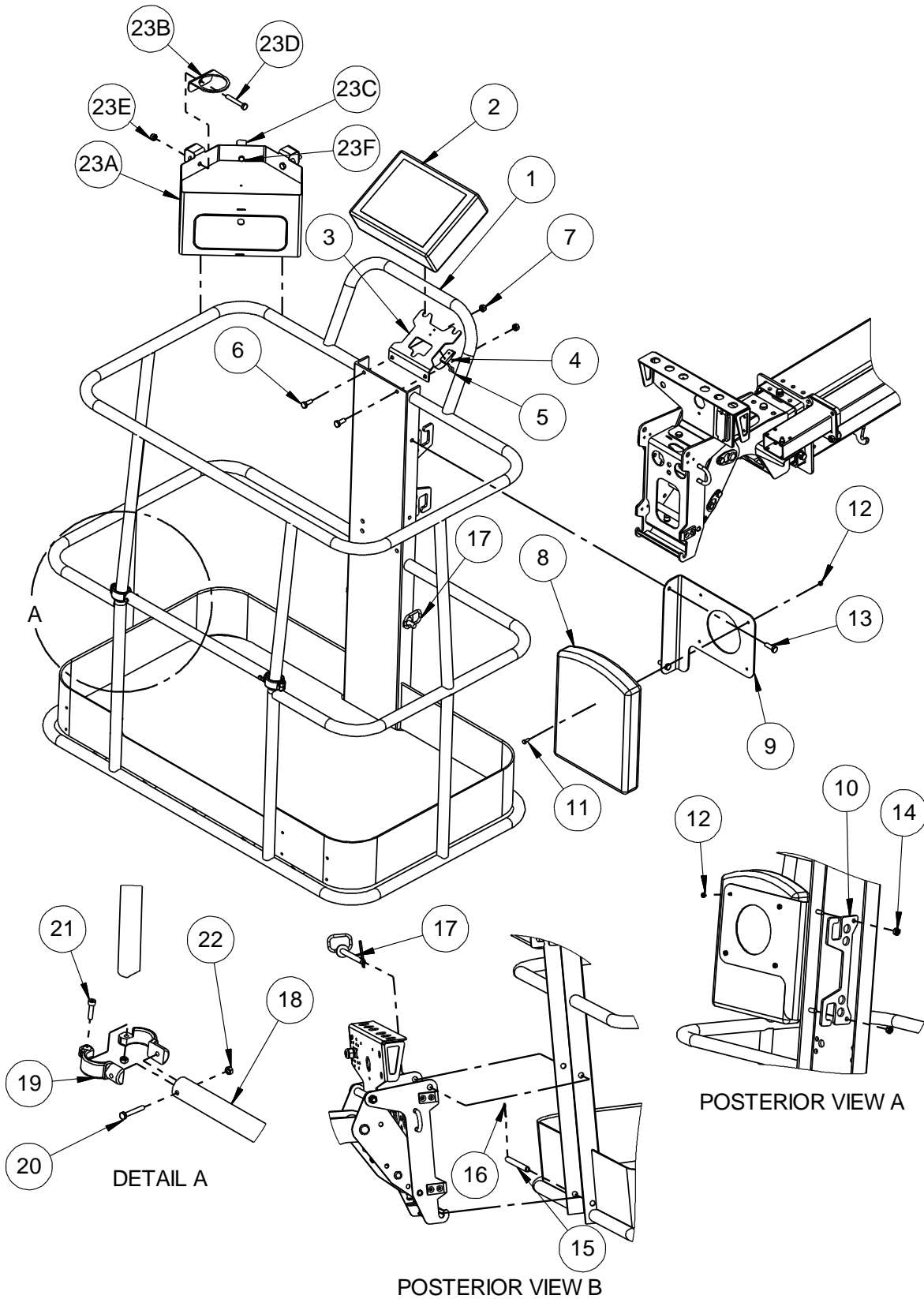
### AC POWER HOOK-UP ASSEMBLY (AUSTRALIA)



## AC POWER HOOK-UP ASSEMBLY (AUSTRALIA)

ITEM NO.	PART NUMBER	DESCRIPTION	QTY.
1	B01-09-0144	Cord Grip, Metric	1
2	B01-10-0365	Outlet Box	1
3	0096-0001	Screw, Hex Head Cap - M6 x 16	2
4	0096-0039	Hex Nut with Nylon Insert, M6 (Not Shown)	2
5	A-03690	Wire, AC - Platform to Turntable	1
6	B01-09-0029	Cord Grip - Plastic 1/2in	1
7	B01-09-0009	Cord Grip, Aluminum	1
8	A-03691	Wire, AC - Turntable to Base	1
9	A-03645	Mount Plate	1
10	0096-0016	Screw, Hex Head Cap - M10 x 25	2
11	0096-0041	Hex Nut with Nylon Insert, M10	2
12	B01-10-0366	Mounting Enclosure	1
13	B01-09-0144	Cord Grip, Metric	1
14	B01-10-0367	Circuit Breaker, 2 Pole	1
15	B01-10-0364	Inlet Plug Box	1
16	0096-0001	Screw, Hex Head Cap - M6 x 16	4
17	0096-0039	Hex Nut with Nylon Insert, M6	4
18	A-03646	Cover Plate	1
19	0090-1081	Screw, Pan Head Sheet Metal - # 4 x 3/4	2

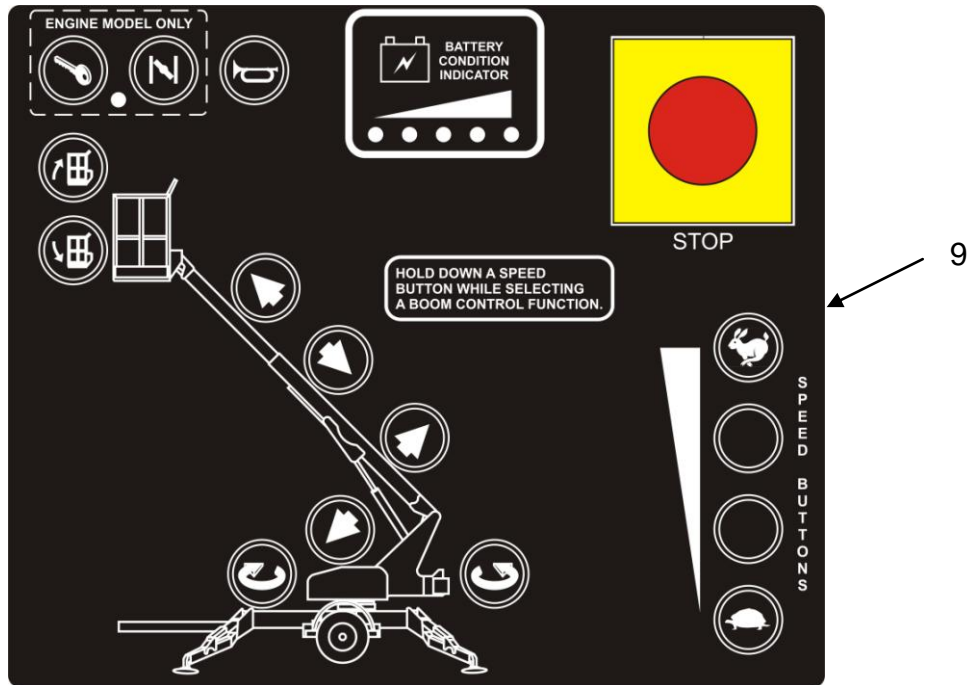
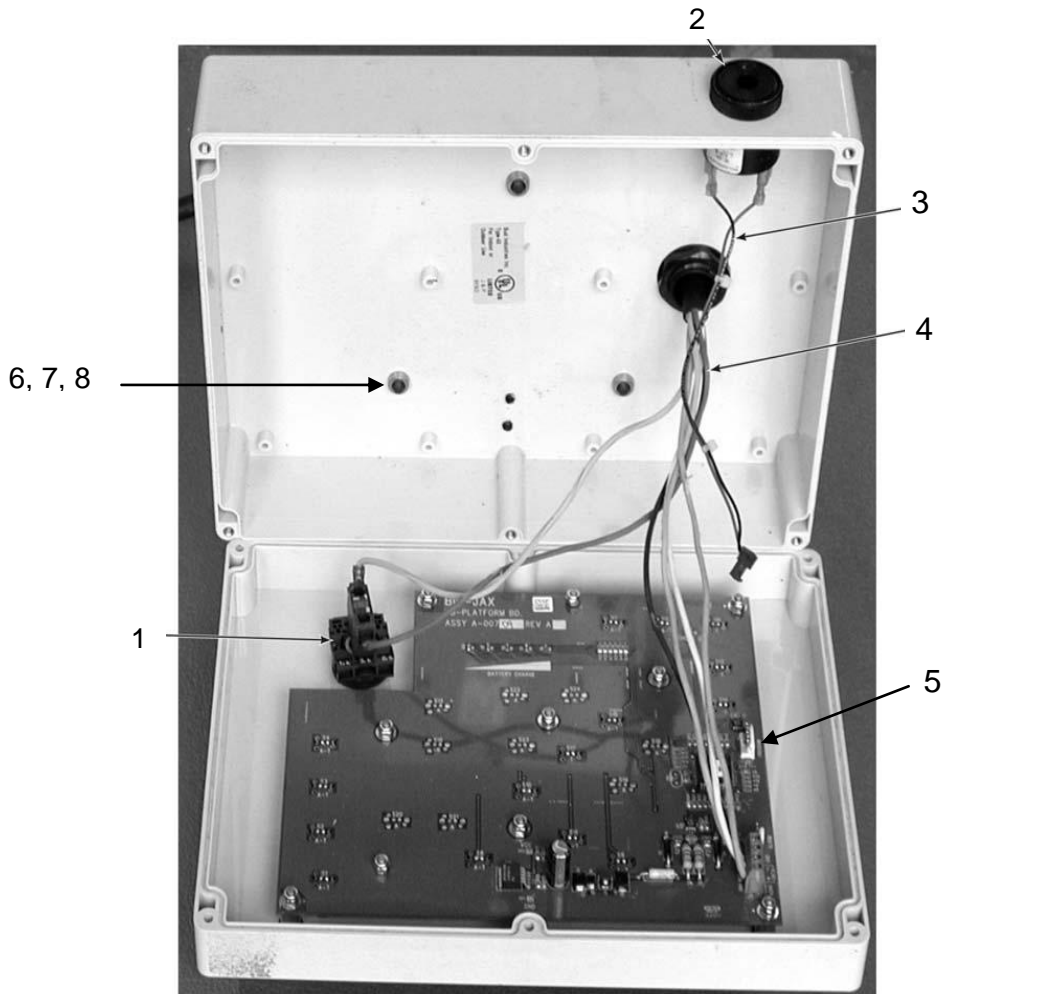
# PLATFORM ASSEMBLY



## PLATFORM ASSEMBLY

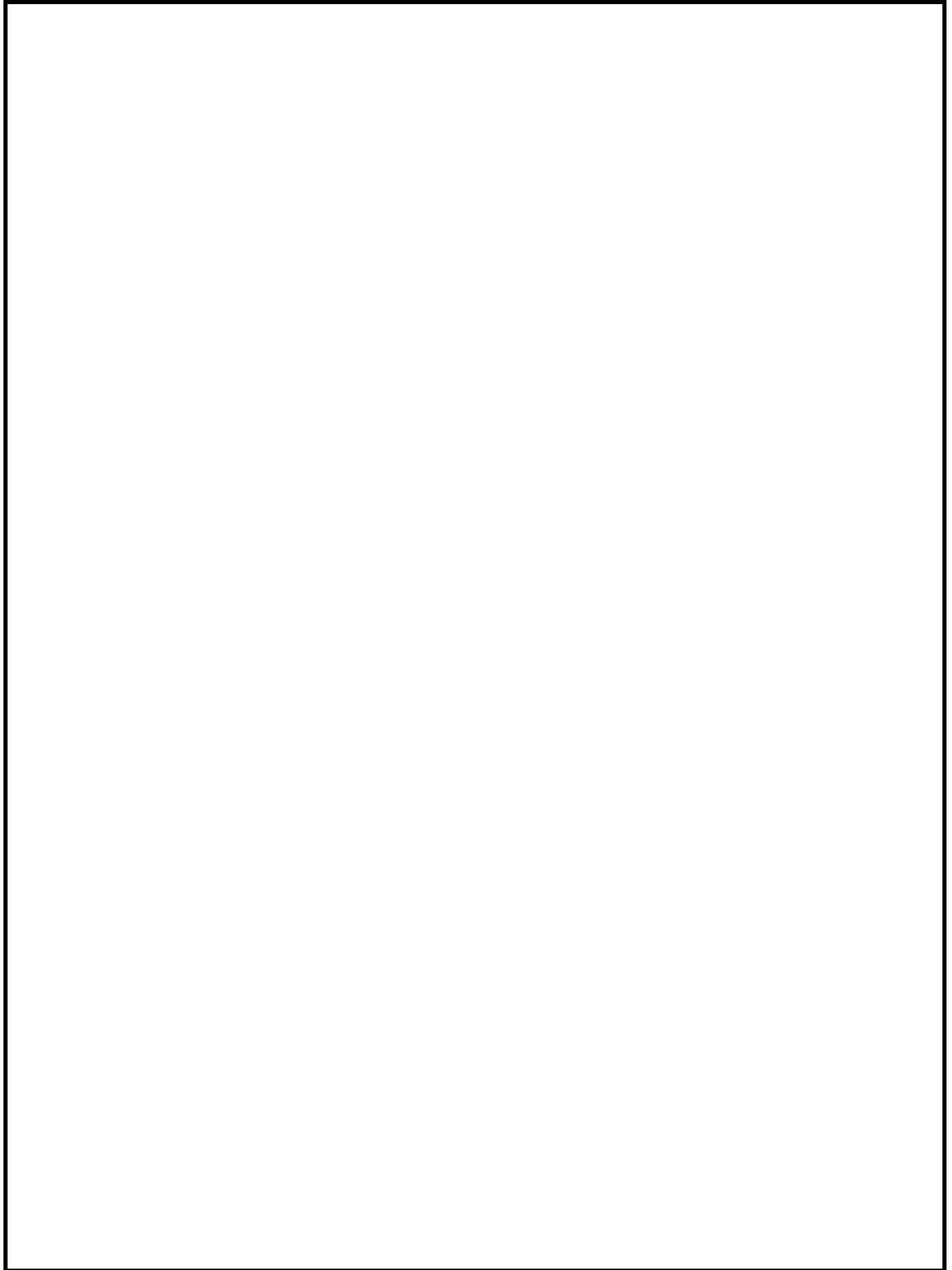
ITEM NO.	PART NUMBER	DESCRIPTION	QTY.
	A-00449	Platform Assembly	1
1	A-00450	Platform Weldment	1
2	A-00465	Upper Control Box	1
2A	A-00931	Upper Control Box - Drive & Set (Option)	1
3	A-00461	Upper Control Box Mount	1
4	A-00466	Control Box Latch	1
5	0090-0679	Pop Rivet, 5/32 x .250	2
6	0096-0016	Screw, Hex Head Cap - M10 x 25	2
7	0096-0041	Hex Nut with Nylon Insert, M10	2
8	A-00475	Manual Storage Box	1
9	A-00468	Manual Mount Plate	1
10	A-00474	Cord Wrap Bracket	1
11	0096-0001	Screw, Hex Head Cap - M6 x 16	4
12	0096-0039	Hex Nut with Nylon Insert, M6	4
13	0096-0017	Screw, Hex Head Cap - M10 x 30	2
14	0096-0041	Hex Nut with Nylon Insert, M10	2
15	A-00071	Pin, 0.5" x 8.875"	1
16	0090-0147	Cotter Pin, 1/8 x 1 1/4	2
17	A-00028	Clevis Pin with Tension Lock	1
18	A-00464	Mid Rail Tube	1
19	A-00463	Mid Rail End	4
20	0096-0052	Screw, Hex Head Cap - M6 x 40	2
21	0096-0115	Screw, Socket Head Cap - M6 x 25	2
22	0096-0039	Hex Nut with Nylon Insert, M6	4
23	A-02600	Tool Box Assembly (Option)	1
23A	A-02601	Tool Box	1
23B	A-02609	Cup Holder	1
23C	A-02610	Rear Brace	1
23D	0096-0066	Hex Head Cap - M10 x 60	2
23E	0096-0041	Hex Nut with Nylon Insert - M10	2
23F	0096-0010	Screw, Hex Head Cap - M8 x 20	2
23G	0096-0040	Hex Nut with Nylon Insert - M8 - Not Shown	2
23H	B37-00-0006	Lock - Utility Cylinder Knob Style - Not Shown	1

### PLATFORM (UPPER) CONTROL BOX



## PLATFORM (UPPER) CONTROL BOX

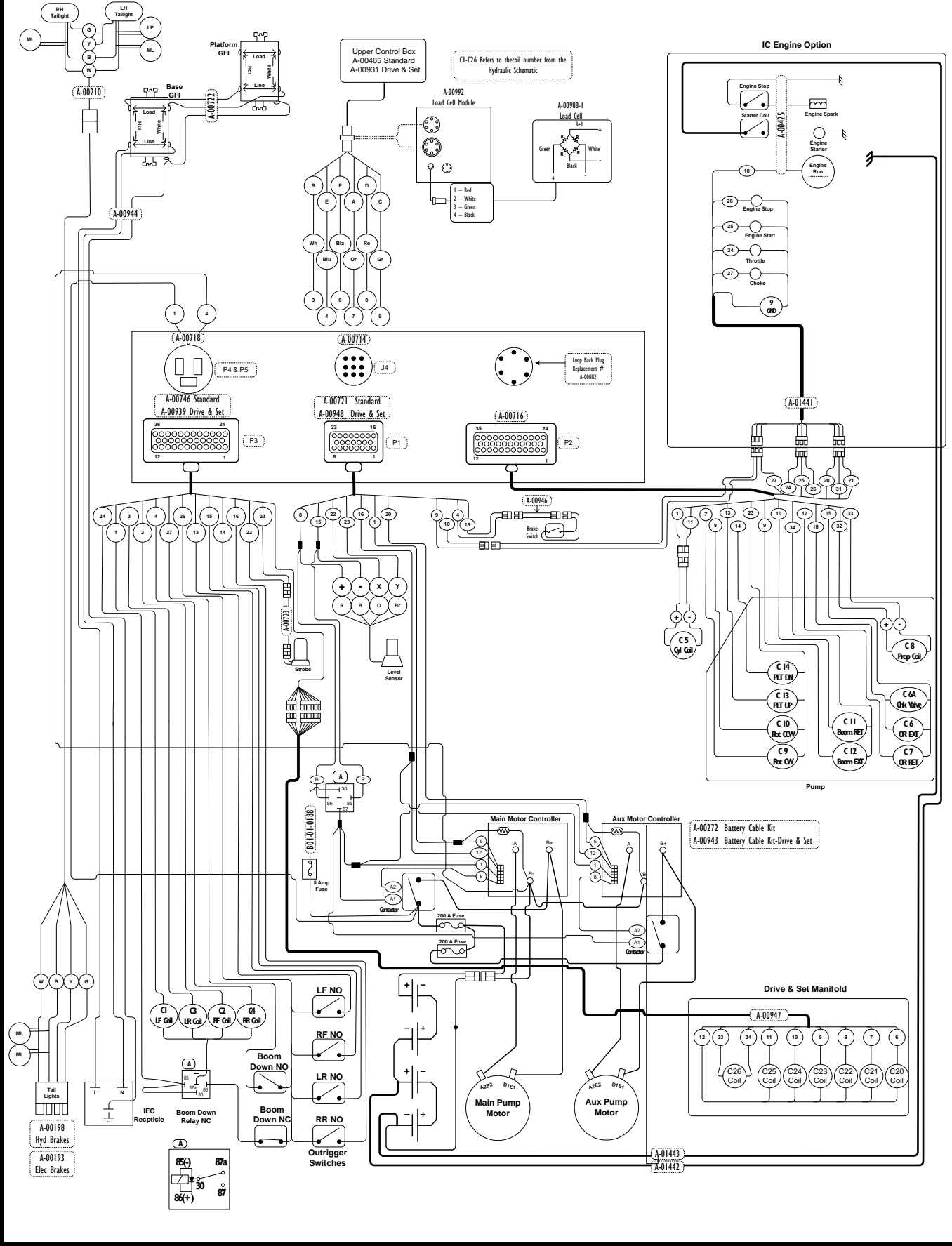
ITEM NO.	PART NUMBER	DESCRIPTION	QTY.
	A-00465	Platform (Upper) Control Box	1
	A-00465-B	Platform (Upper) Control Box - Only	1
1	B01-02-0119	Emergency Stop Button with Contact and Mount	1
2	B01-10-0194	Alarm	1
3	B01-01-0153	Wiring Harness, Alarm	1
4	B01-01-0154	Wiring Harness, Tail, Upper Control Box	1
5	B01-10-0337	Circuit Board, Upper	1
6	A-00462	Spool - Now Shown	3
7	0096-0006	Screw, Flat Head Socket Cap - M6 x 25	3
8	0096-0039	Hex Nut with Nylon Insert - M6	3
9	A-00465-D	Decal, Platform (Upper) Control Box Overlay	1
10	B01-10-0341	Switch Activating Disk - Now Shown	15
11	B01-10-0400	Standoff, Circuit Board - Not Shown	10



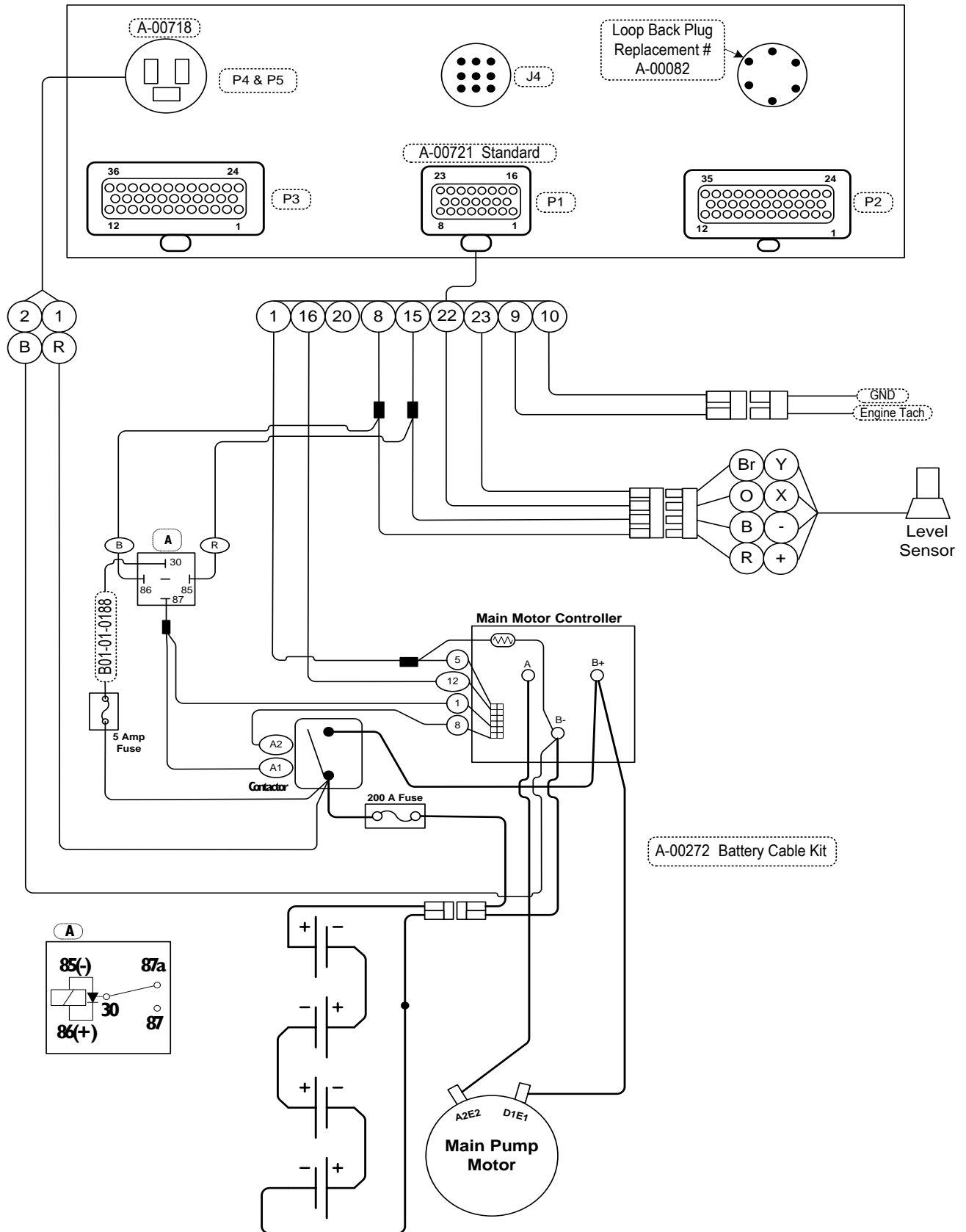
### 3 SCHEMATICS

3632T / HTT 13 ELECTRICAL WIRE HARNESS - ELECTRICAL .....	126
3632T / HTT 13 ELECTRICAL WIRE HARNESS - P1 STANDARD.....	127
3632T / HTT 13 ELECTRICAL WIRE HARNESS - P1 DRIVE & SET OPTION .....	128
3632T / HTT 13 ELECTRICAL WIRE HARNESS - P2.....	129
3632T / HTT 13 ELECTRICAL WIRE HARNESS - P3 .....	130
3632T / HTT 13 ELECTRICAL WIRE HARNESS - P4 .....	131
A-00153 MARKER AND TAIL LIGHT CONTINUOUS ROTATION WIRE HARNESS .....	132
A-00198 MARKER AND TAIL LIGHT 700° ROTATION WIRE HARNESS.....	132
A-00782 ELECTRIC BRAKE TAIL LIGHT CONTINUOUS ROTATION WIRE HARNESS .....	132
A-00193 ELECTRIC BRAKE TAIL LIGHT 700° ROTATION WIRE HARNESS.....	133
A-00210 TAIL LIGHT REAR WIRE HARNESS.....	133
A-00714 PLATFORM WIRE HARNESS .....	133
A-00716 PUMP AND CYLINDER WIRE HARNESS .....	134
A-00718 POWER WIRE HARNESS.....	135
A-00719 OUTRIGGER SWITCH CONTINUOUS ROTATION WIRE HARNESS.....	135
A-00720 OUTRIGGER COIL CONTINUOUS ROTATION WIRE HARNESS .....	136
A-00746 OUTRIGGER COIL AND SWITCH 700° ROTATION WIRE HARNESS .....	137
A-00715 ANALOG WIRE HARNESS – PRIOR TO 2008.....	138
A-00721 ANALOG WIRE HARNESS – EFFECTIVE 2008 .....	138
A-00948 ANALOG – WIRE HARNESS FOR DRIVE & SET OPTION.....	139
A-00726 110 VOLTS AC TRAILER TO TOWER WIRE HARNESS .....	139
A-00722 110 VOLTS AC TOWER TO PLATFORM WIRE HARNESS.....	140
B01-01-0194 GFI BOX TO TRAILER WIRE HARNESS .....	140
B01-01-0195 GFI BOX TO PLATFORM WIRE HARNESS .....	140
A-03608 TRAILER LIGHTS WIRE HARNESS (CE).....	141
A-03692 TAIL LIGHT REAR WIRE HARNESS (AUSTRALIA).....	142
A-03609 TAIL LIGHT TO TOWER WIRE HARNESS (CE & AUSTRALIA).....	143
A-03644 SWITCH ASSEMBLY – N/O (CE & AUSTRALIA).....	144
A-03647 SWITCH ASSEMBLY – N/C (CE & AUSTRALIA).....	144
A-00944 WIRE ASSEMBLY – 100 VOLT 700 ROTATION (CE & AUSTRALIA).....	144
B01-01-0188 WIRE ASSEMBLY – FUSE (CE).....	145
B01-10-0352 WIRE ASSEMBLY CHARGER TO GFI.....	145
B01-10-0348 IEC TO GFI - CONTINENTAL EUROPE .....	145
B01-10-0382 IEC TO GFI – UNITED KINGDOM.....	145
A-03691 220 VOLTS AC TRAILER TO TOWER WIRE HARNESS .....	146
A-03690 220 VOLTS AC TOWER TO PLATFORM WIRE HARNESS.....	146
A-00272 BATTERY LAYOUT .....	147
A-00943 BATTERY LAYOUT FOR DRIVE & SET OPTION .....	148
A-00700 AIR LINE TO PLATFORM.....	149
A-00701 WATER LINE TO PLATFORM .....	149
HYDRAULIC SCHEMATIC.....	150
HYDRAULIC SCHEMATIC FOR DRIVE & SET OPTION .....	152
A-00182 HYDRAULIC HOSE LAYOUT – TRAILER 360° CONTINUOUS ROTATION.....	154
A-03182 HYDRAULIC HOSE LAYOUT - TRAILER 700° ROTATION .....	155
A-00269 HYDRAULIC HOSE LAYOUT – BOOM .....	156
A-00928 MANIFOLD FOR DRIVE & SET OPTION.....	158
A-00938 HYDRAULIC HOSE LAYOUT FOR DRIVE & SET OPTION .....	160
A-00939 OUTRIGGER COIL TO SWITCHES FOR DRIVE & SET OPTION .....	162
A-00947 MANIFOLD HARNESS FOR DRIVE & SET OPTION .....	163
A-00946 BRAKE SWITCH HARNESS FOR DRIVE & SET OPTION.....	163

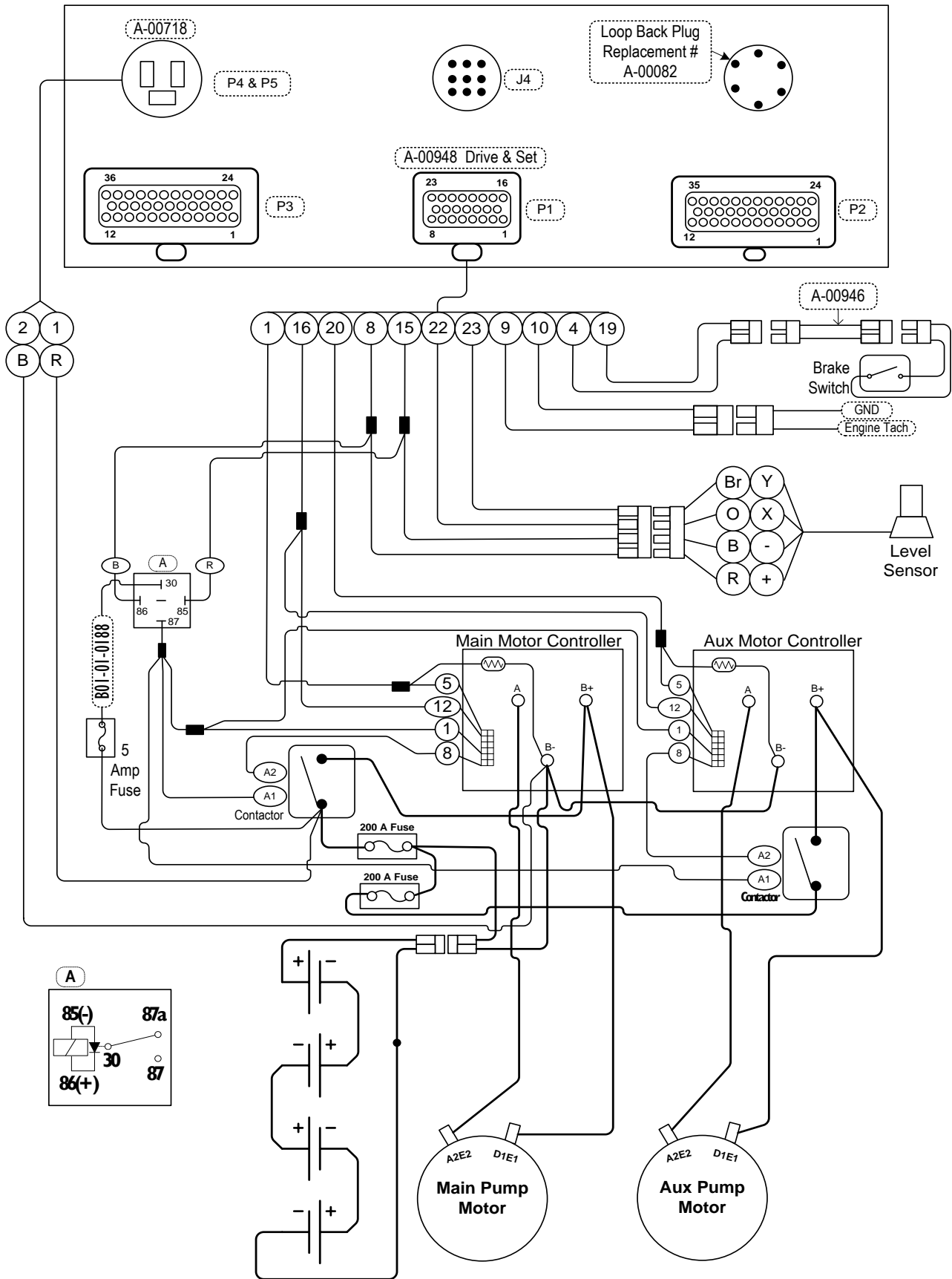
# 3632T / HTT 13 ELECTRICAL WIRE HARNESS - ELECTRICAL



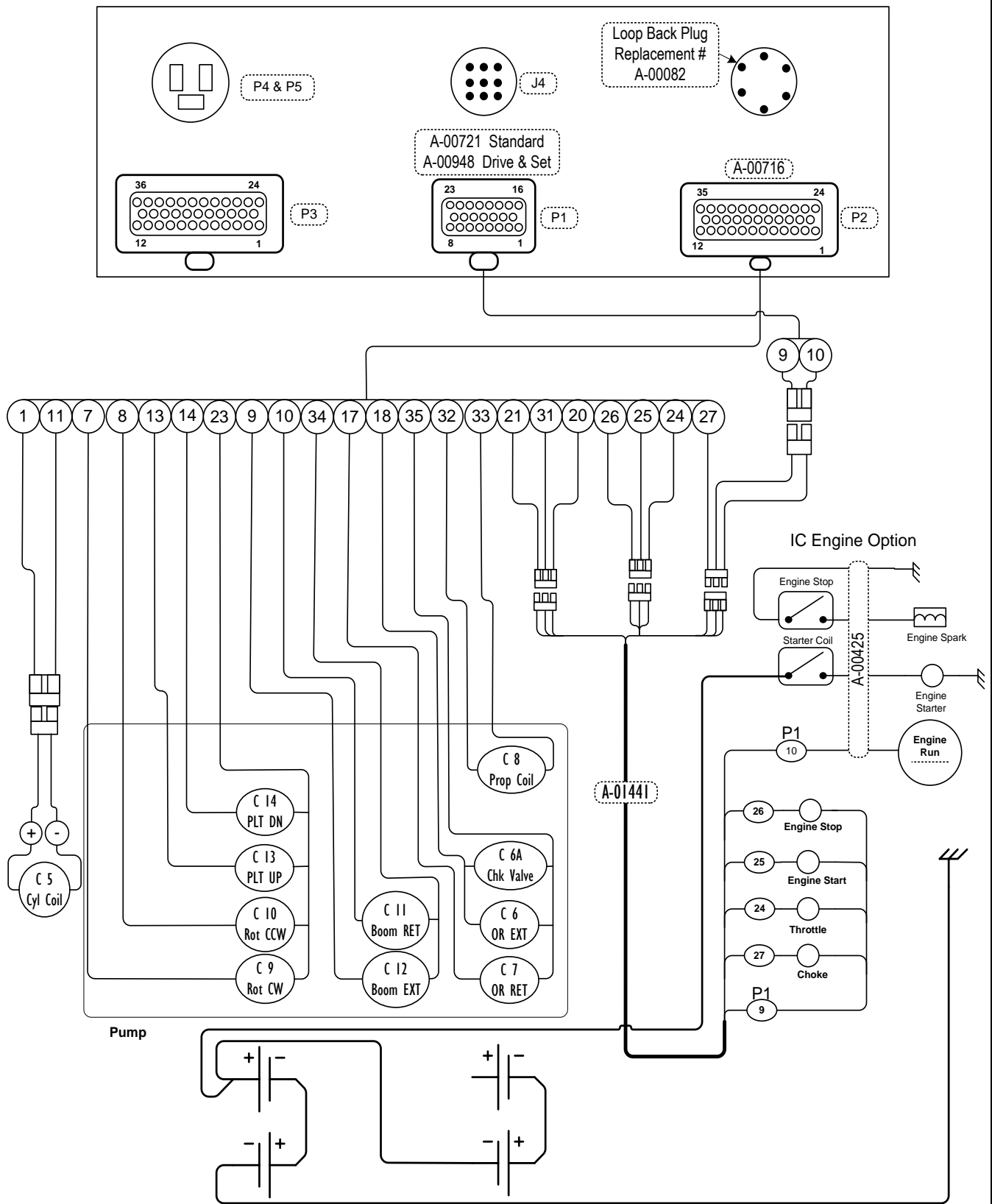
### 3632T / HTT 13 ELECTRICAL WIRE HARNESS - P1 STANDARD



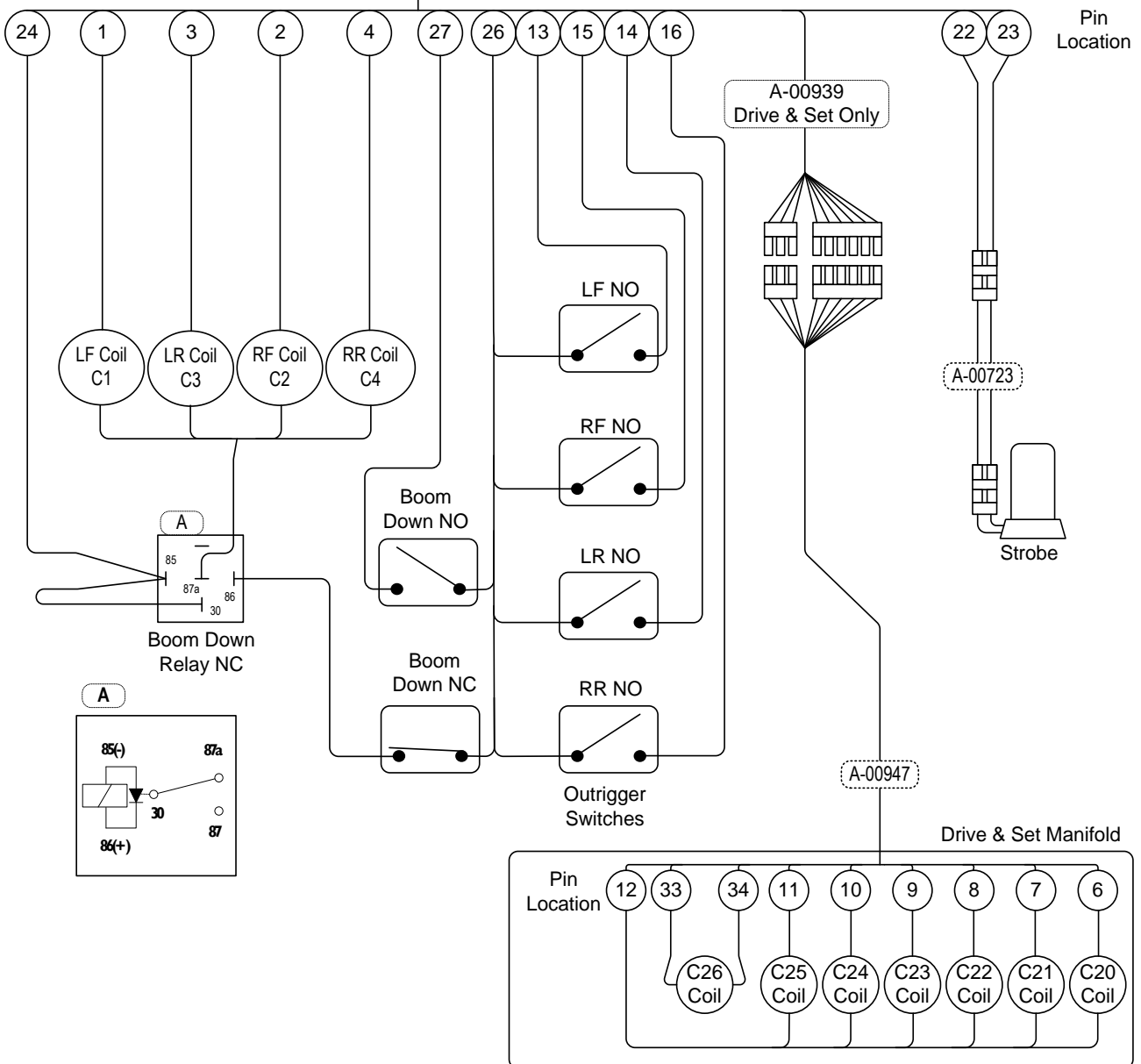
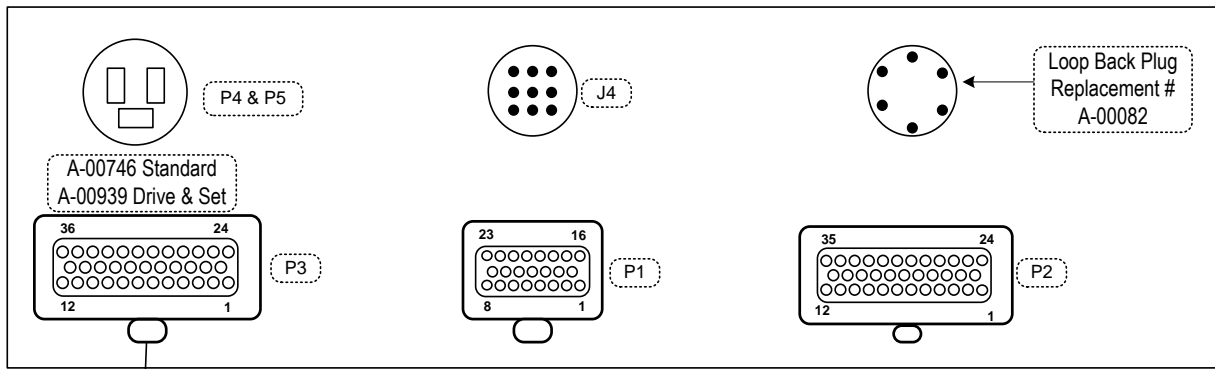
# 3632T / HTT 13 ELECTRICAL WIRE HARNESS - P1 DRIVE & SET OPTION



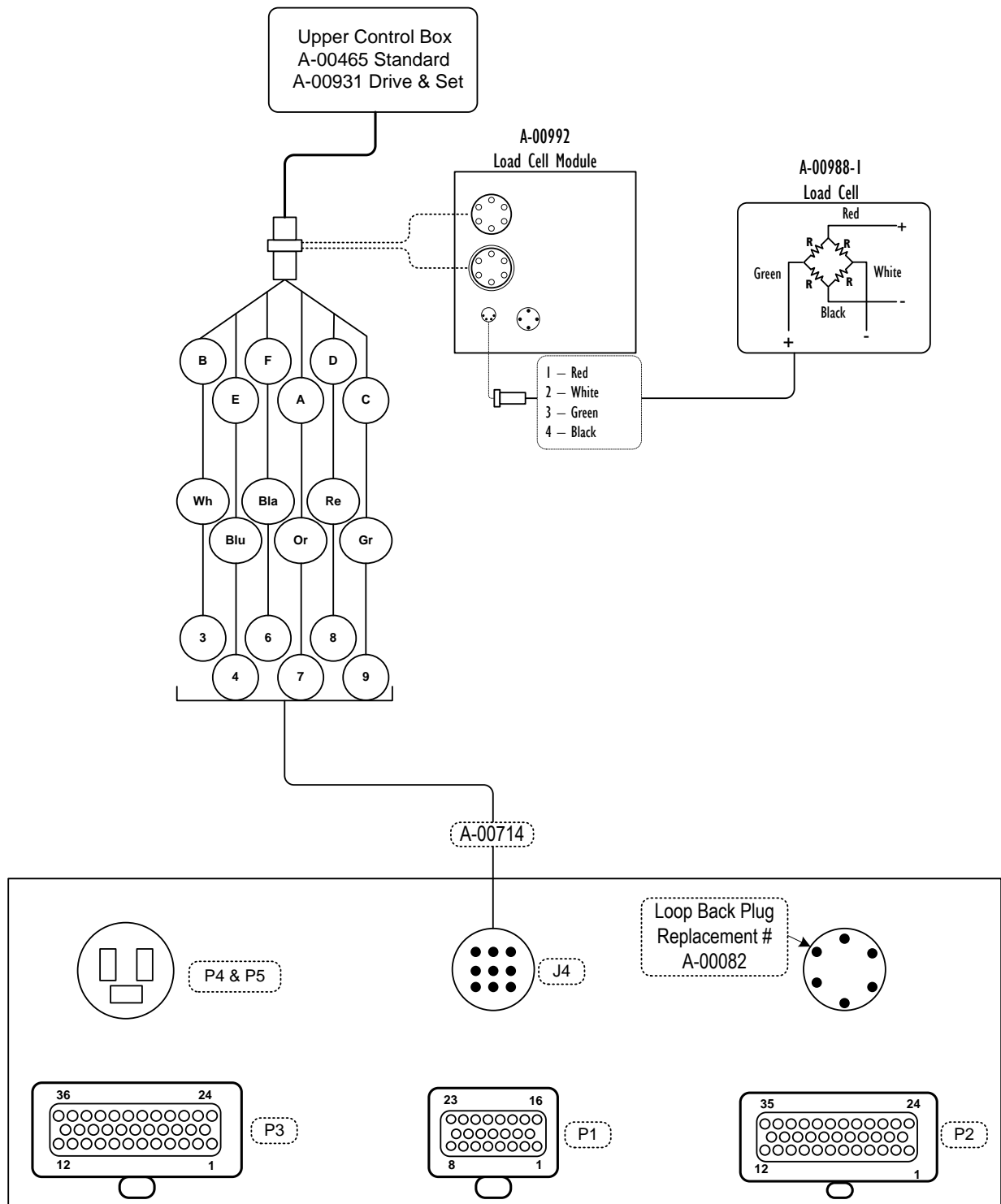
### 3632T / HTT 13 ELECTRICAL WIRE HARNESS - P2



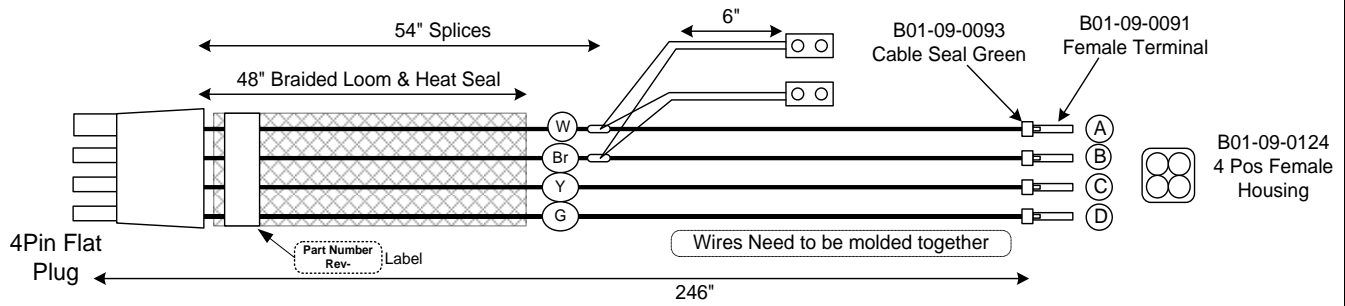
### 3632T / HTT 13 ELECTRICAL WIRE HARNESS - P3



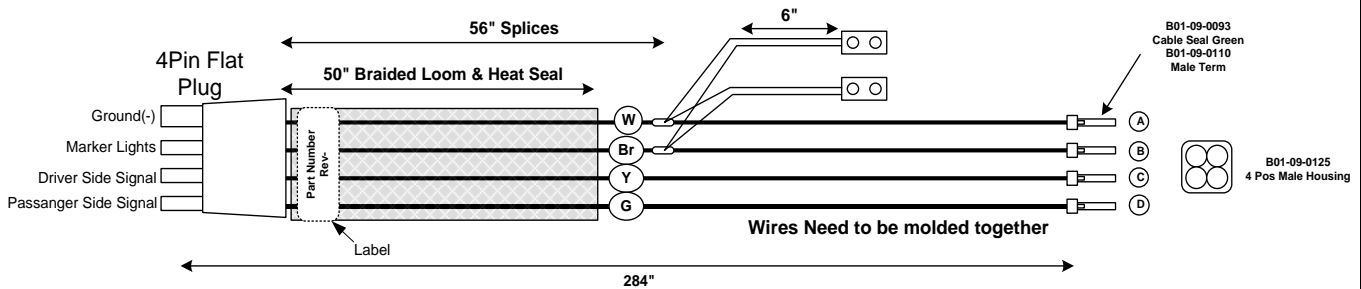
### 3632T / HTT 13 ELECTRICAL WIRE HARNESS - P4



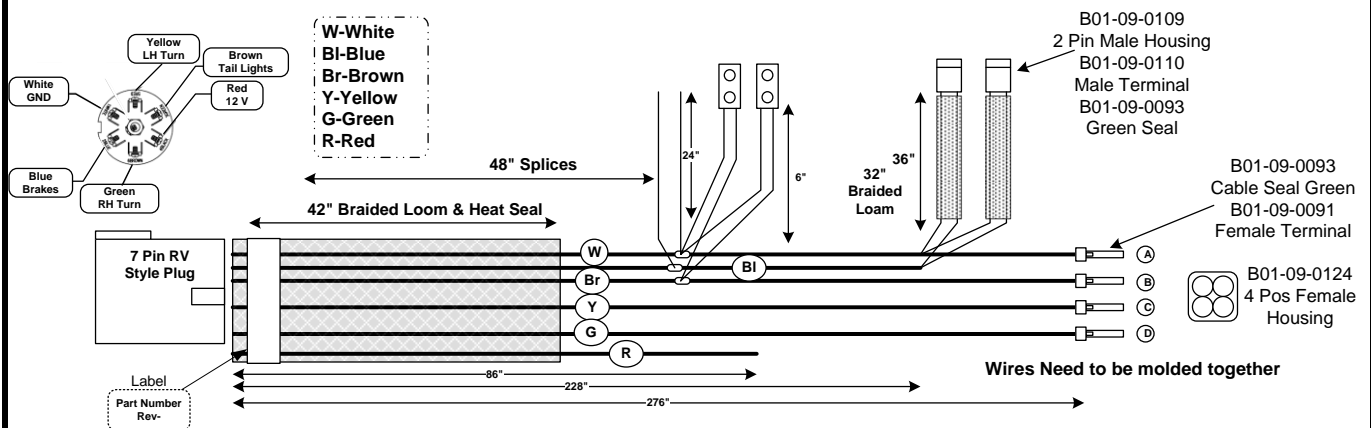
### A-00153 MARKER AND TAIL LIGHT CONTINUOUS ROTATION WIRE HARNESS



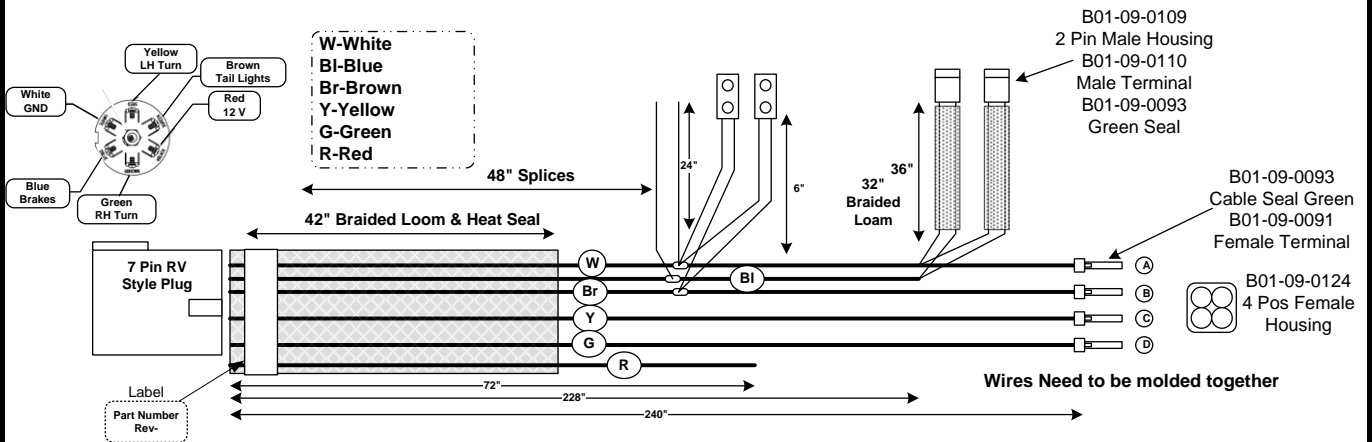
### A-00198 MARKER AND TAIL LIGHT 700° ROTATION WIRE HARNESS



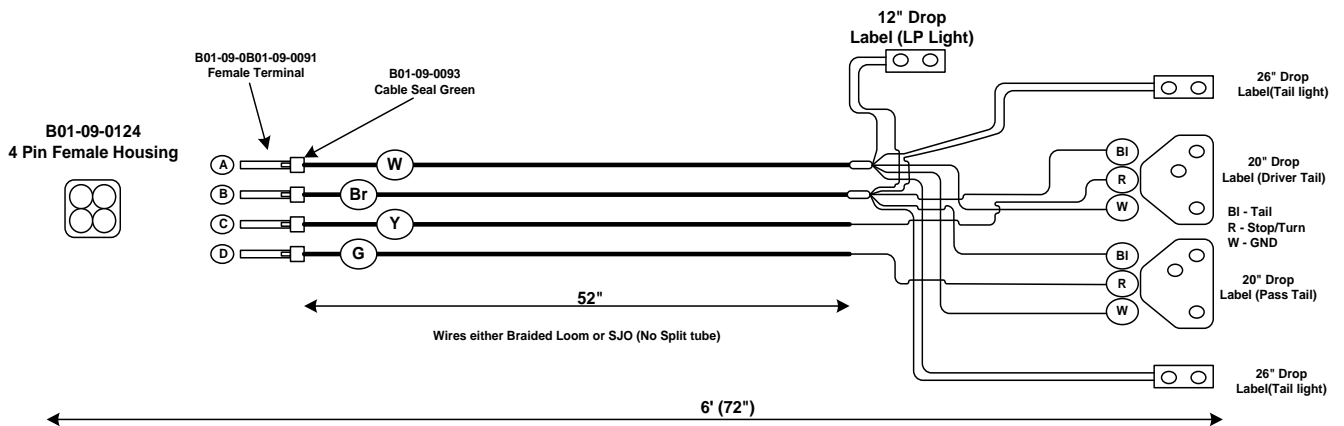
### A-00782 ELECTRIC BRAKE TAIL LIGHT CONTINUOUS ROTATION WIRE HARNESS



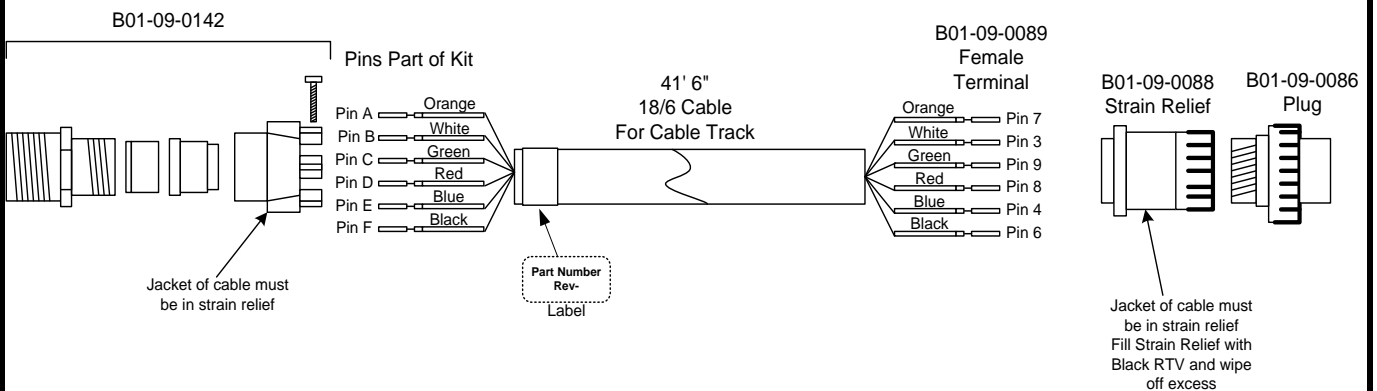
# A-00193 ELECTRIC BRAKE TAIL LIGHT 700° ROTATION WIRE HARNESS



# A-00210 TAIL LIGHT REAR WIRE HARNESS

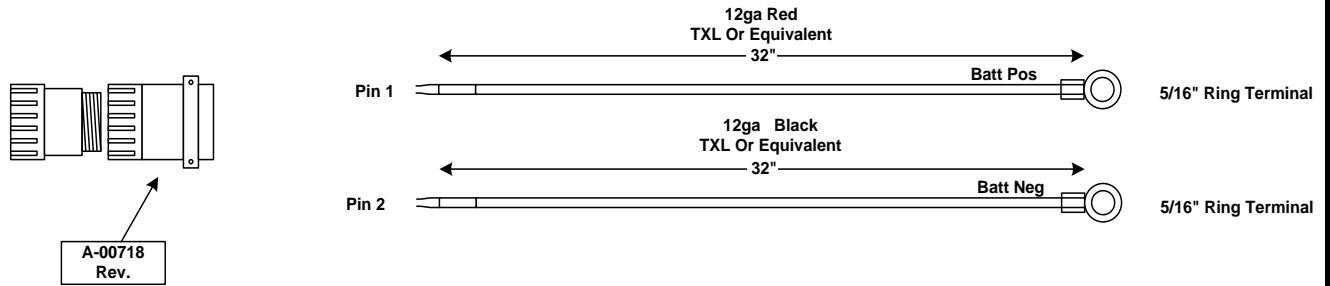


# A-00714 PLATFORM WIRE HARNESS





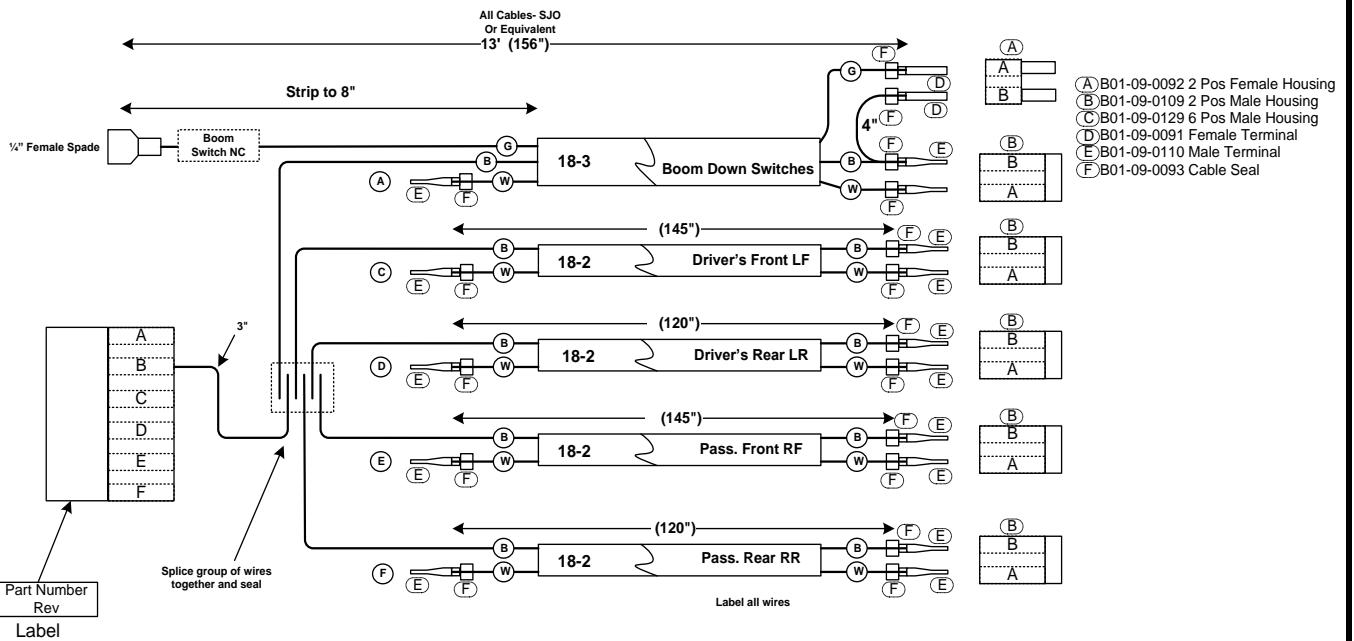
### A-00718 POWER WIRE HARNESS



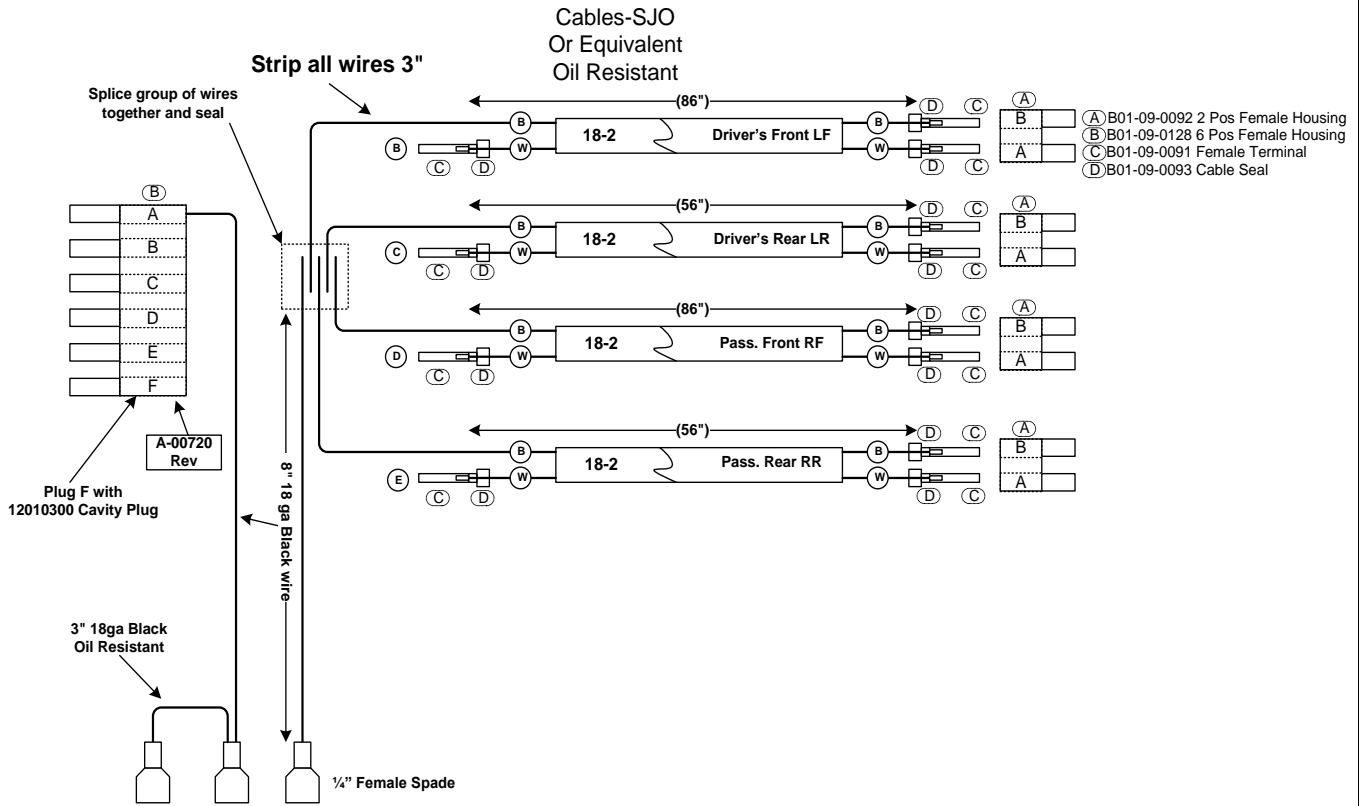
Fill Strain Relief with RTV then put on cable clamp and wipe off excess

Bundle wires in 20" of loom.  
Tape both ends if split loom is used

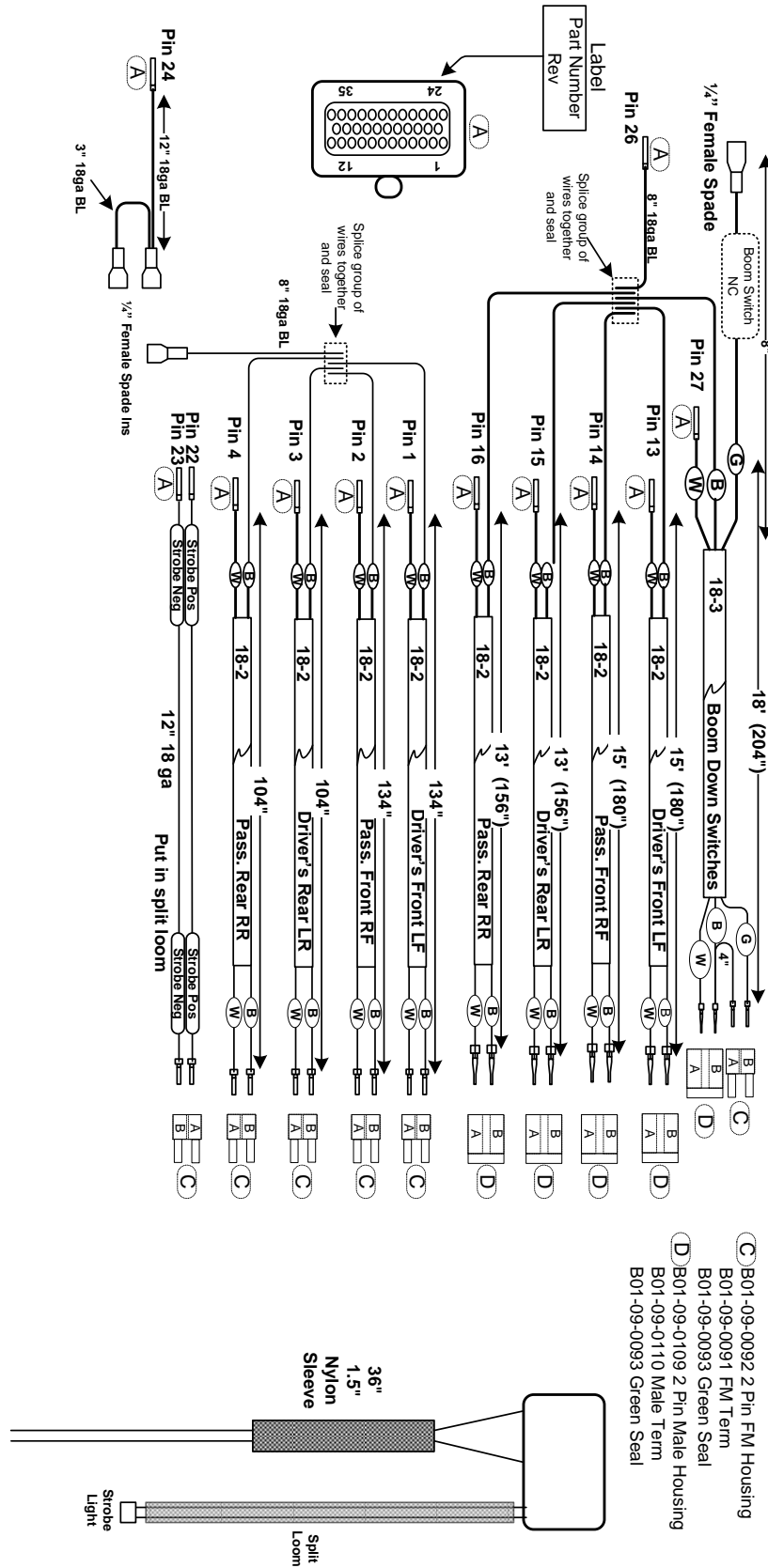
### A-00719 OUTRIGGER SWITCH CONTINUOUS ROTATION WIRE HARNESS



# A-00720 OUTRIGGER COIL CONTINUOUS ROTATION WIRE HARNESS

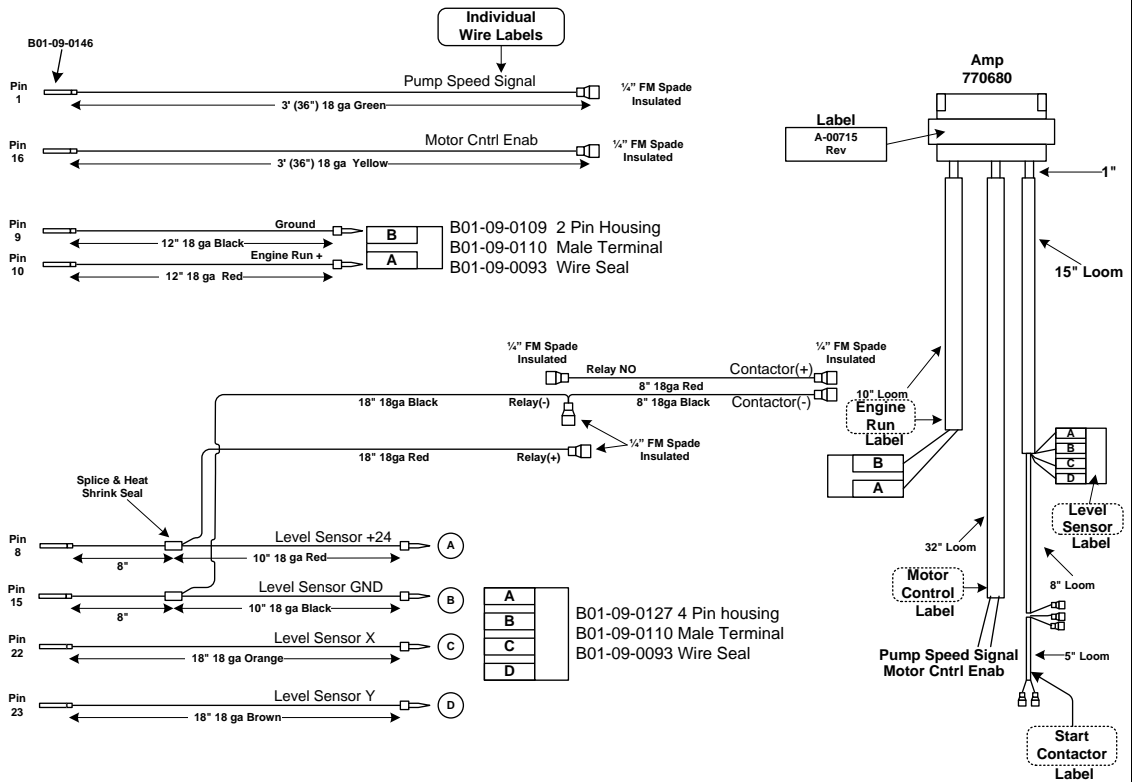


# A-00746 OUTRIGGER COIL AND SWITCH 700° ROTATION WIRE HARNESS

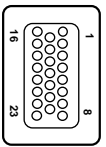


- (A) B01-09-0146 Female Terminal
- (B) B01-09-0144 Plug-Black 35 Pin
- (C) B01-09-0092 2 Pin FM Housing
- B01-09-0091 FM Term
- B01-09-0093 Green Seal
- (D) B01-09-0109 2 Pin Male Housing
- B01-09-0110 Male Term
- B01-09-0093 Green Seal

### A-00715 ANALOG WIRE HARNESS – PRIOR TO 2008

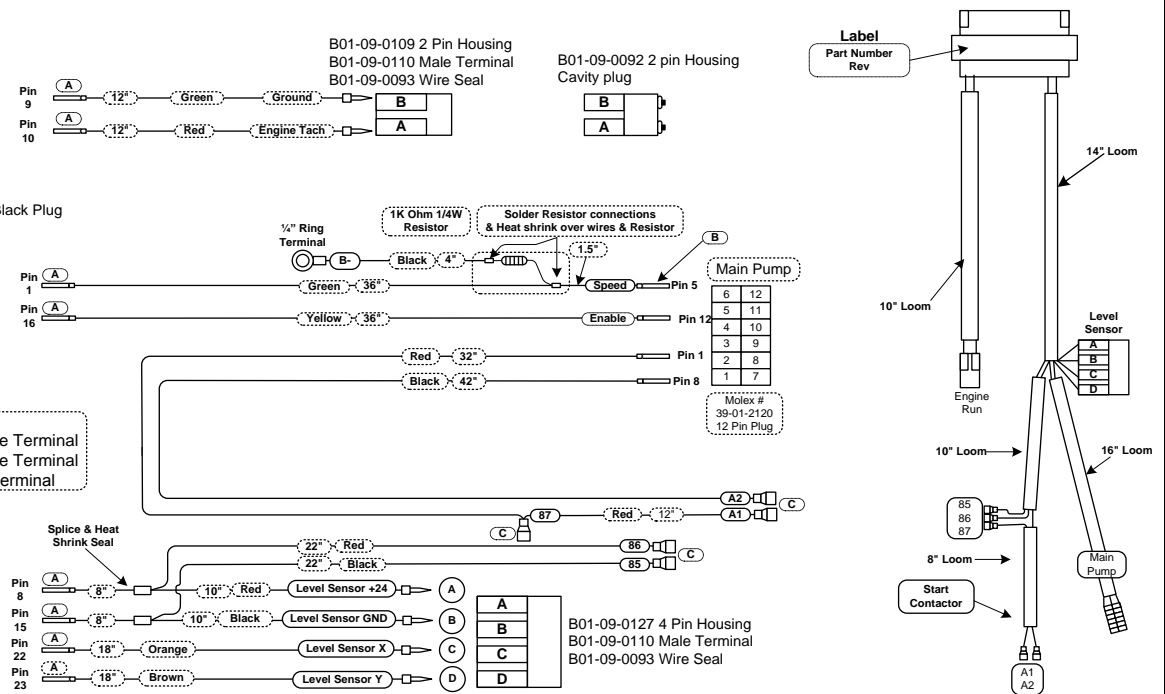


B01-09-0152  
23 Pin Plug

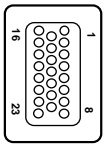


All wires  
TXL or Equivalent  
All Measurements  
are +/- 0.250 In

### A-00721 ANALOG WIRE HARNESS – EFFECTIVE 2008



B01-09-0152 23 Pin Black Plug



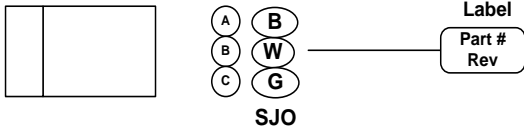
Terminals  
A-B01-09-0146 Female Terminal  
B-B01-09-0118 Female Terminal  
C-1/4" Female Spade Terminal



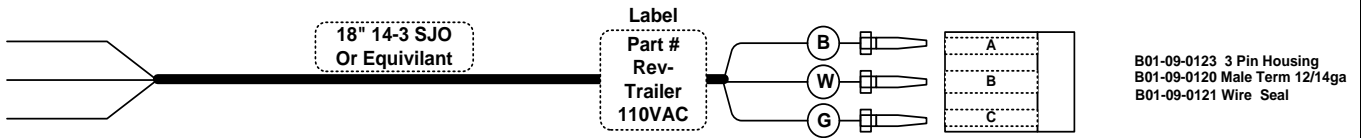
### A-00722 110 VOLTS AC TOWER TO PLATFORM WIRE HARNESS

B01-09-0123 3 Pin Male Housing  
 B01-09-0120 Male Terminal  
 B01-09-0121 Gray cable seal

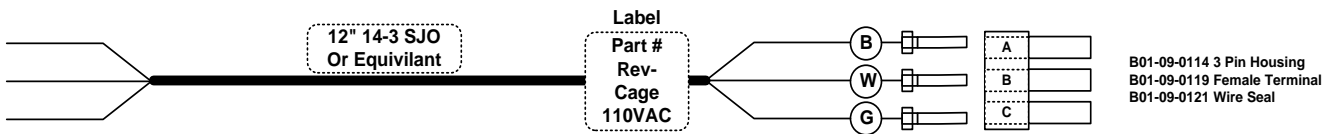
466" (+/- 2")  
 14-3 SJO  
 or Equivalent



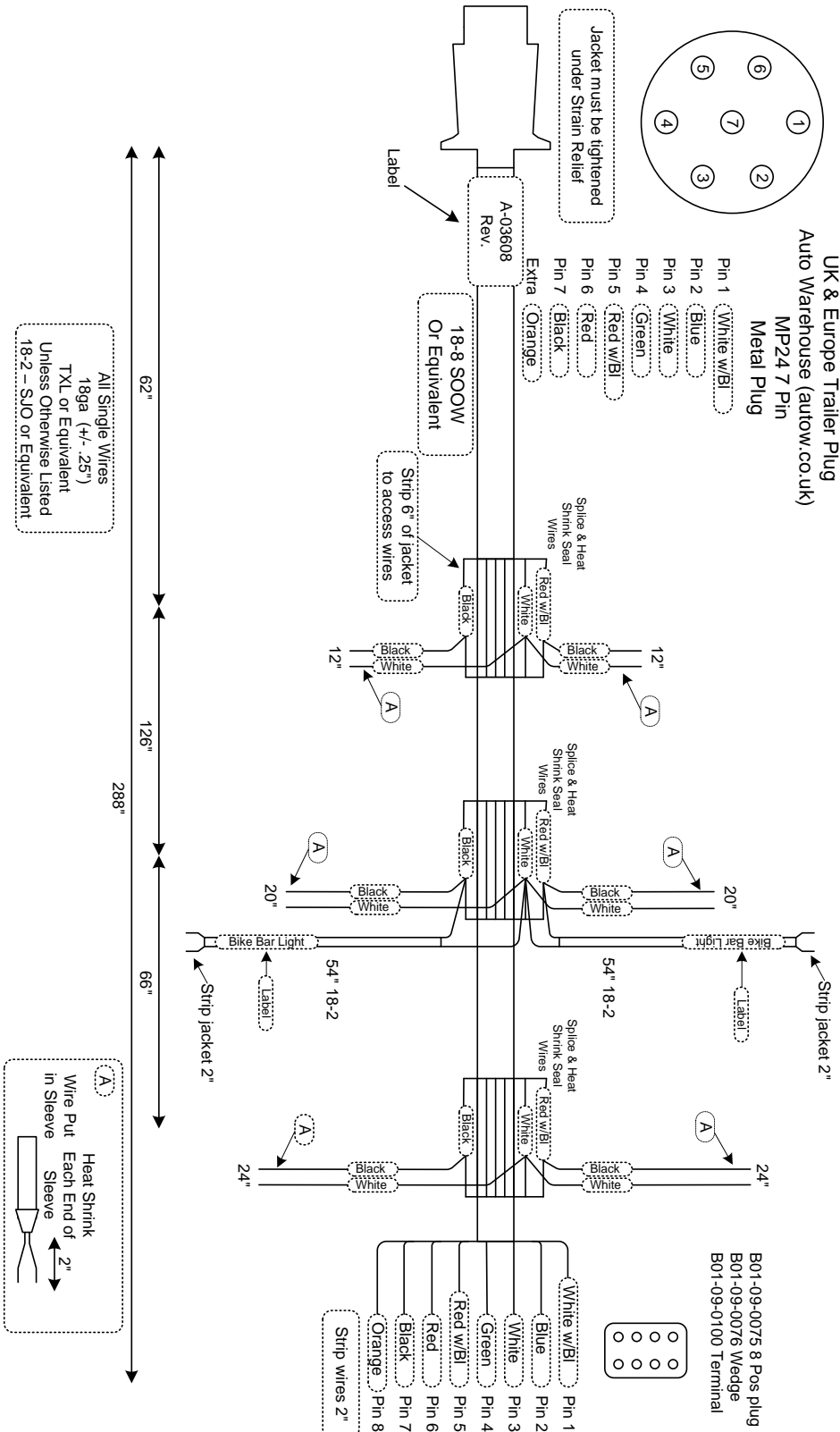
### B01-01-0194 GFI BOX TO TRAILER WIRE HARNESS



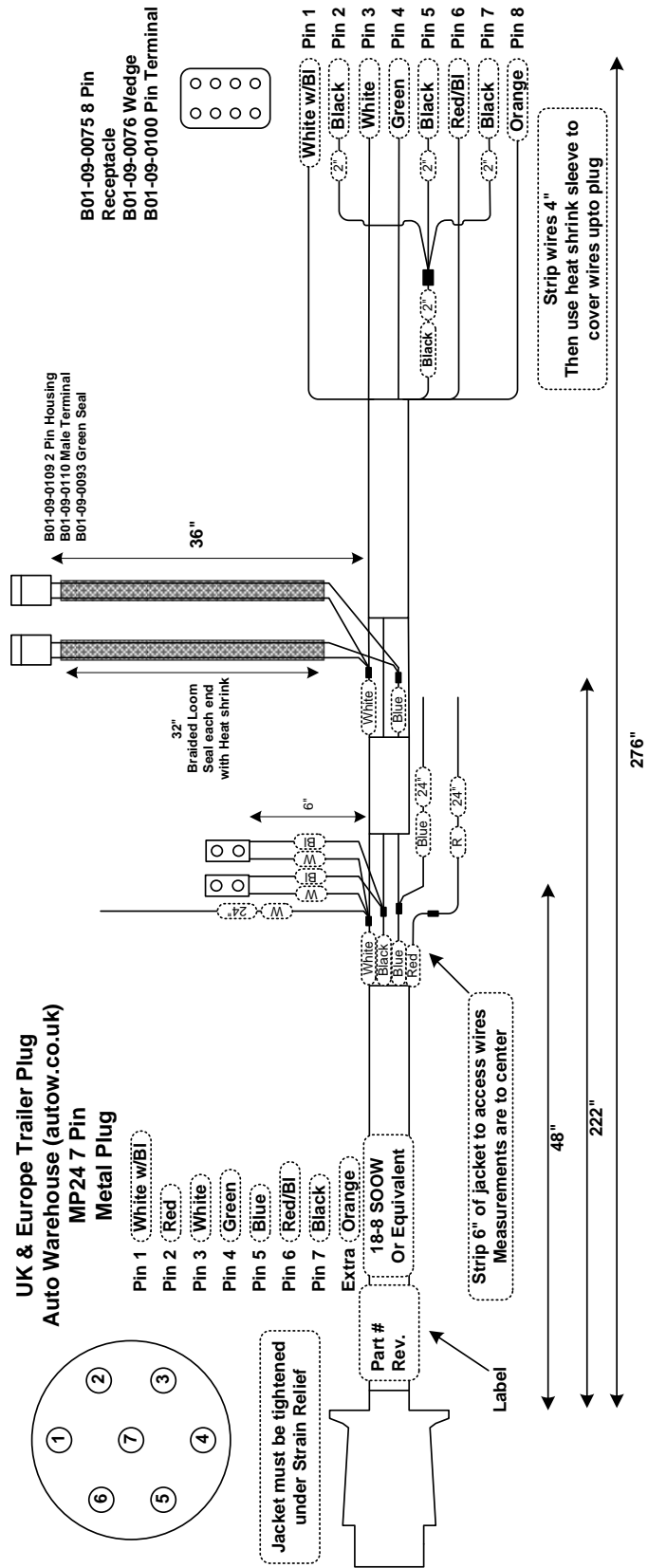
### B01-01-0195 GFI BOX TO PLATFORM WIRE HARNESS



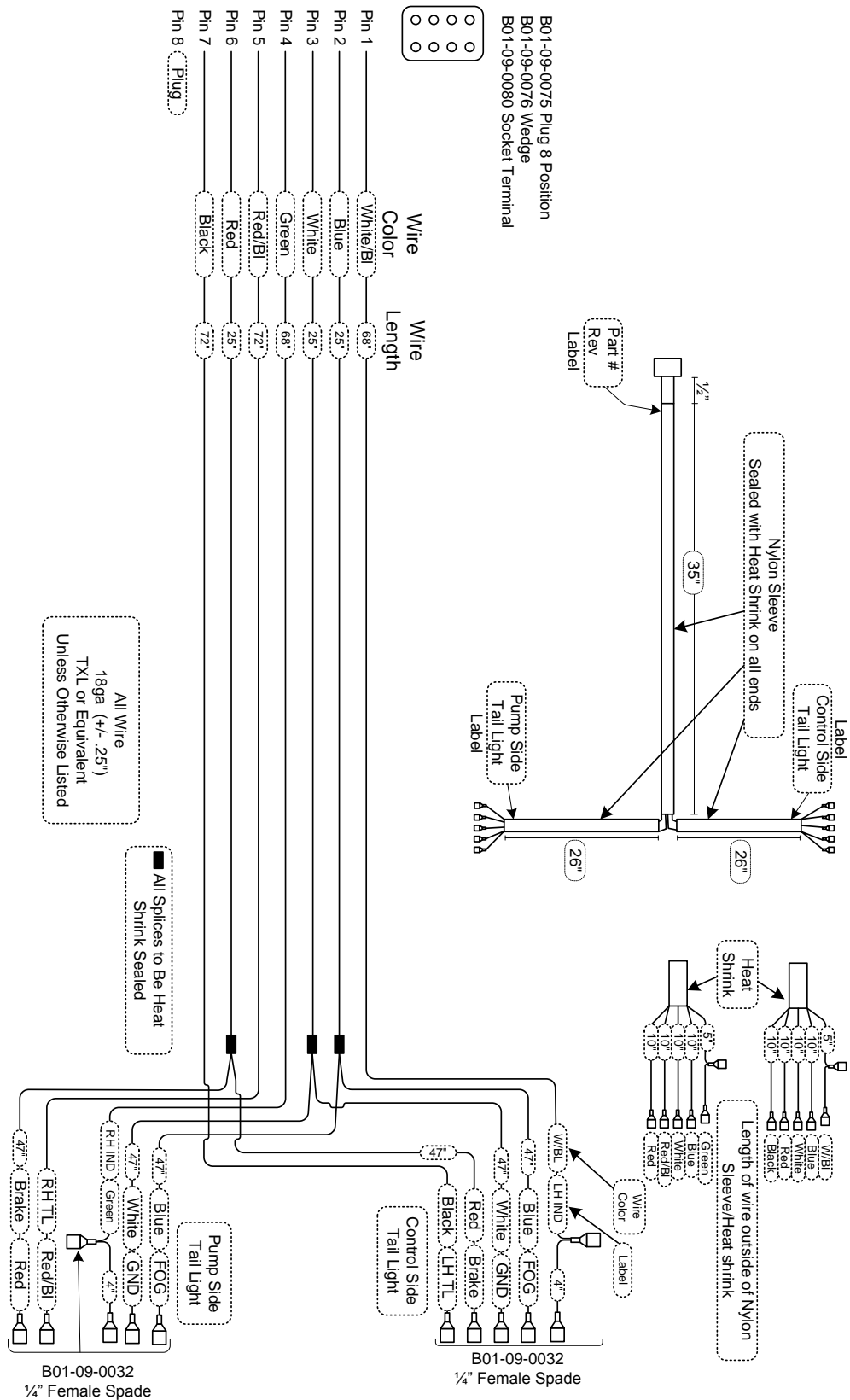
# A-03608 TRAILER LIGHTS WIRE HARNESS (CE)



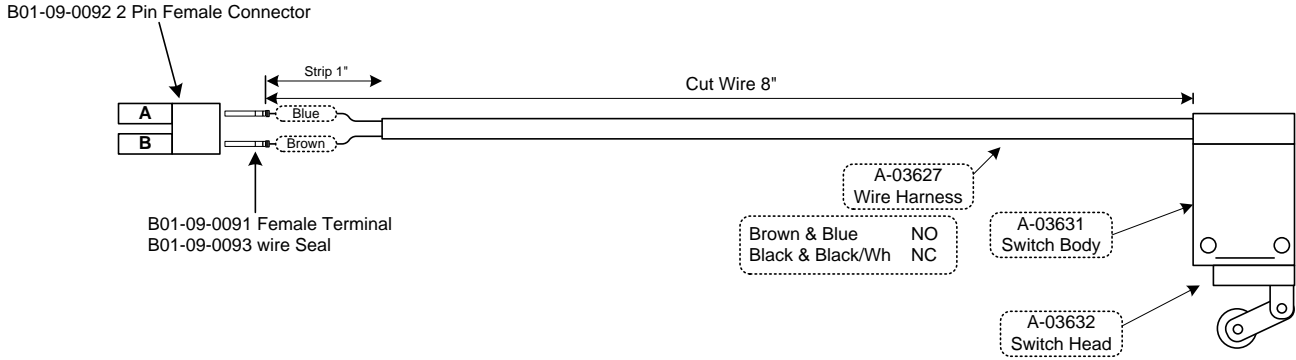
# A-03692 TAIL LIGHT REAR WIRE HARNESS (AUSTRALIA)



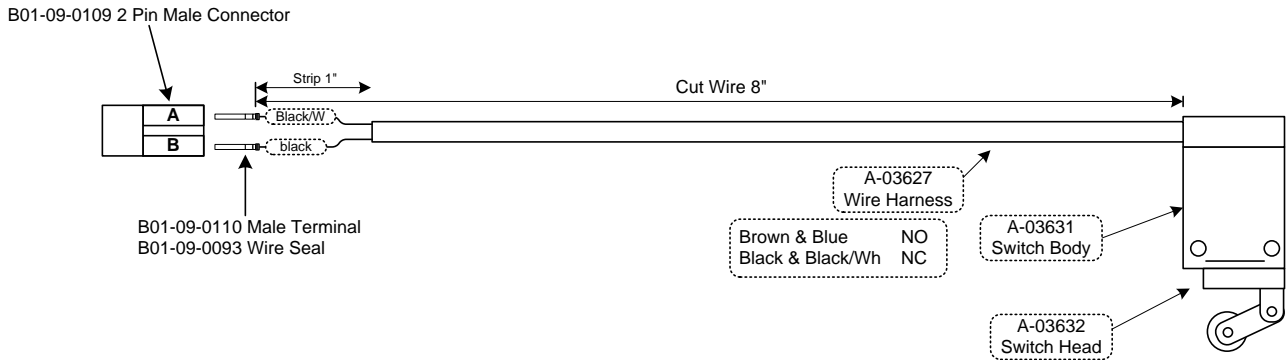
# A-03609 TAIL LIGHT TO TOWER WIRE HARNESS (CE & AUSTRALIA)



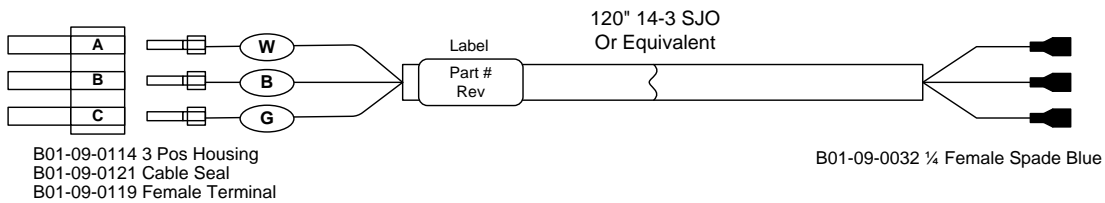
### A-03644 SWITCH ASSEMBLY – N/O (CE & AUSTRALIA)



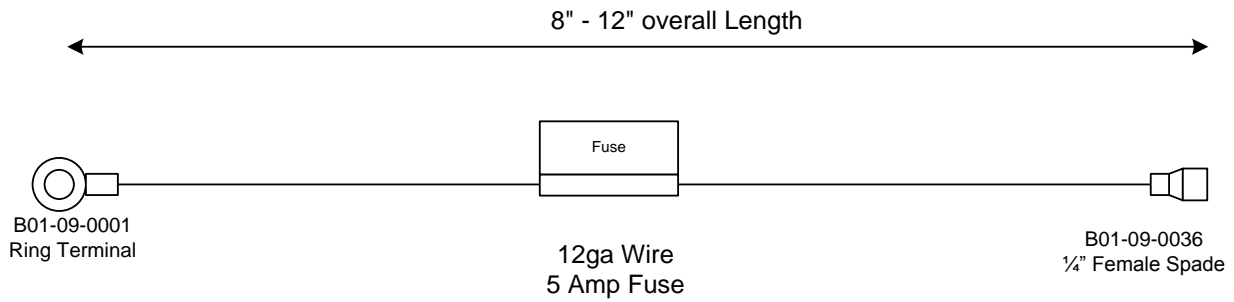
### A-03647 SWITCH ASSEMBLY – N/C (CE & AUSTRALIA)



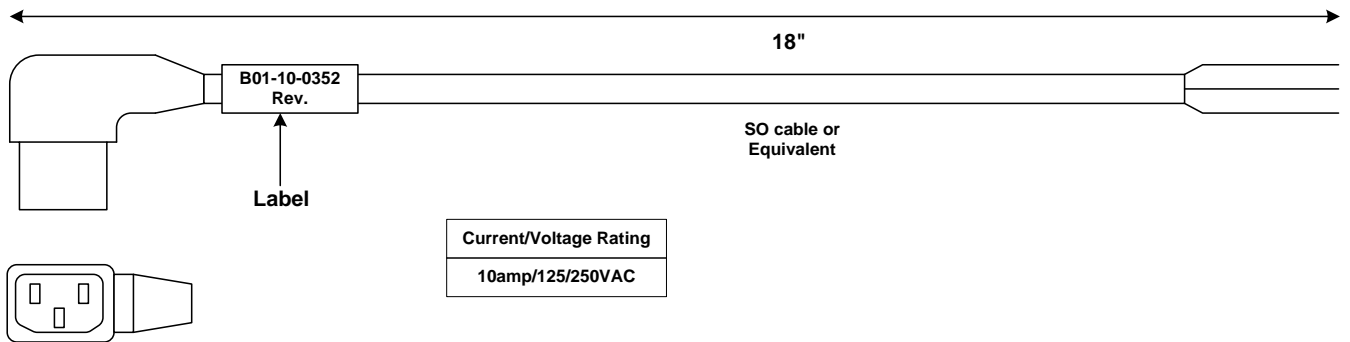
### A-00944 WIRE ASSEMBLY – 100 VOLT 700 ROTATION (CE & AUSTRALIA)



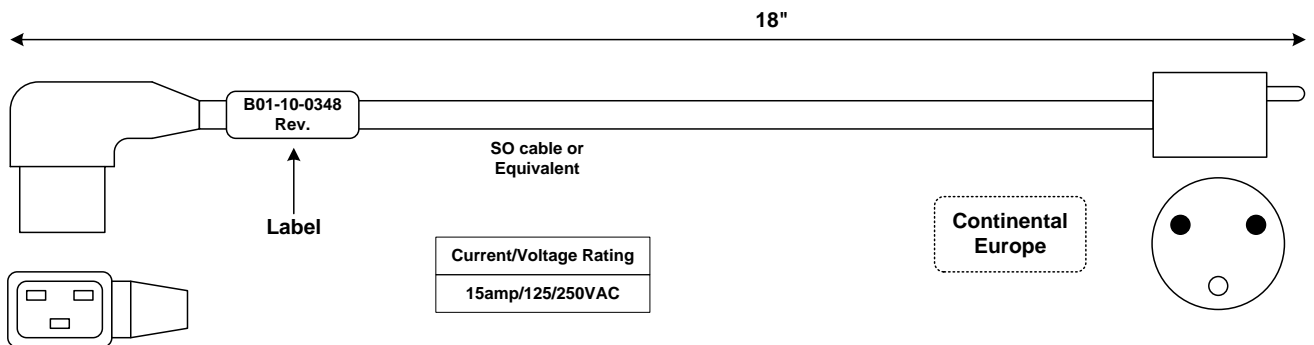
### B01-01-0188 WIRE ASSEMBLY – FUSE (CE)



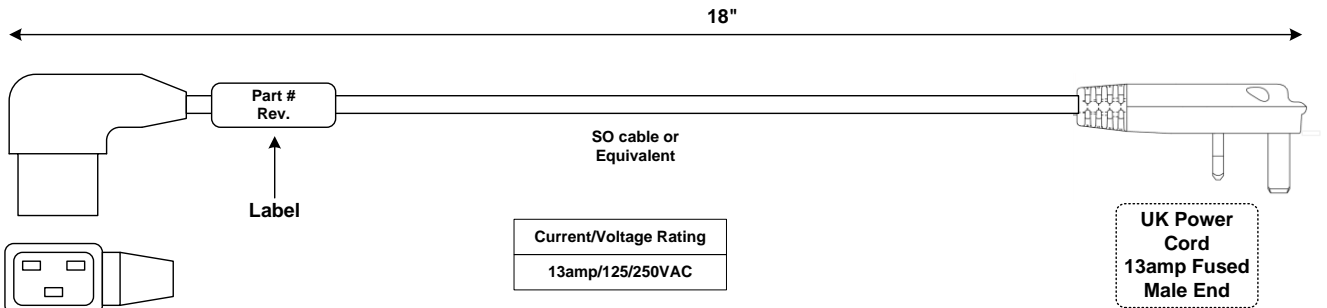
### B01-10-0352 WIRE ASSEMBLY CHARGER TO GFI



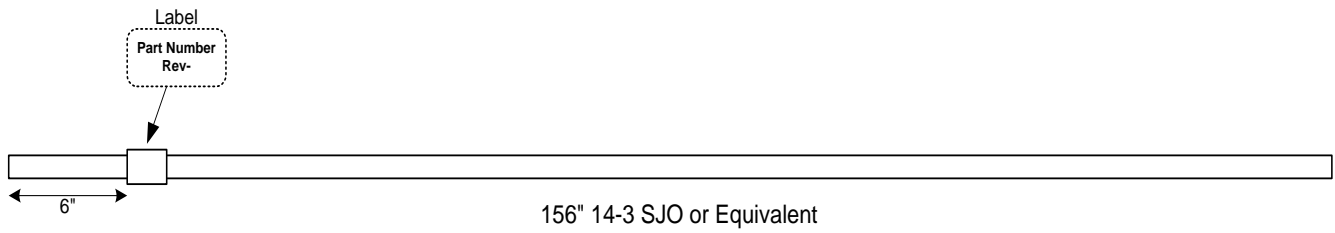
### B01-10-0348 IEC TO GFI - CONTINENTAL EUROPE



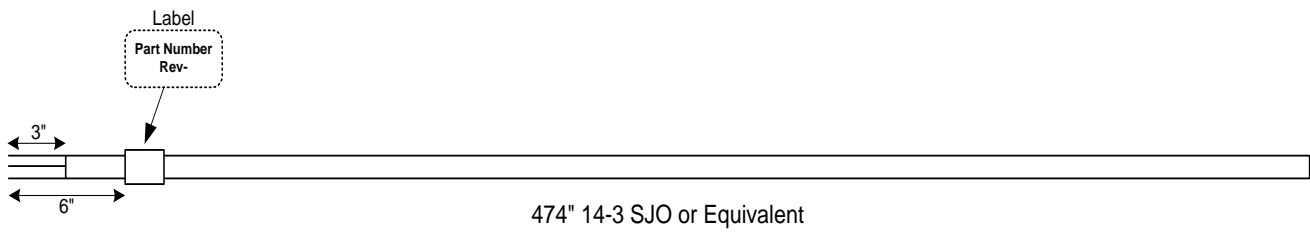
### B01-10-0382 IEC TO GFI – UNITED KINGDOM



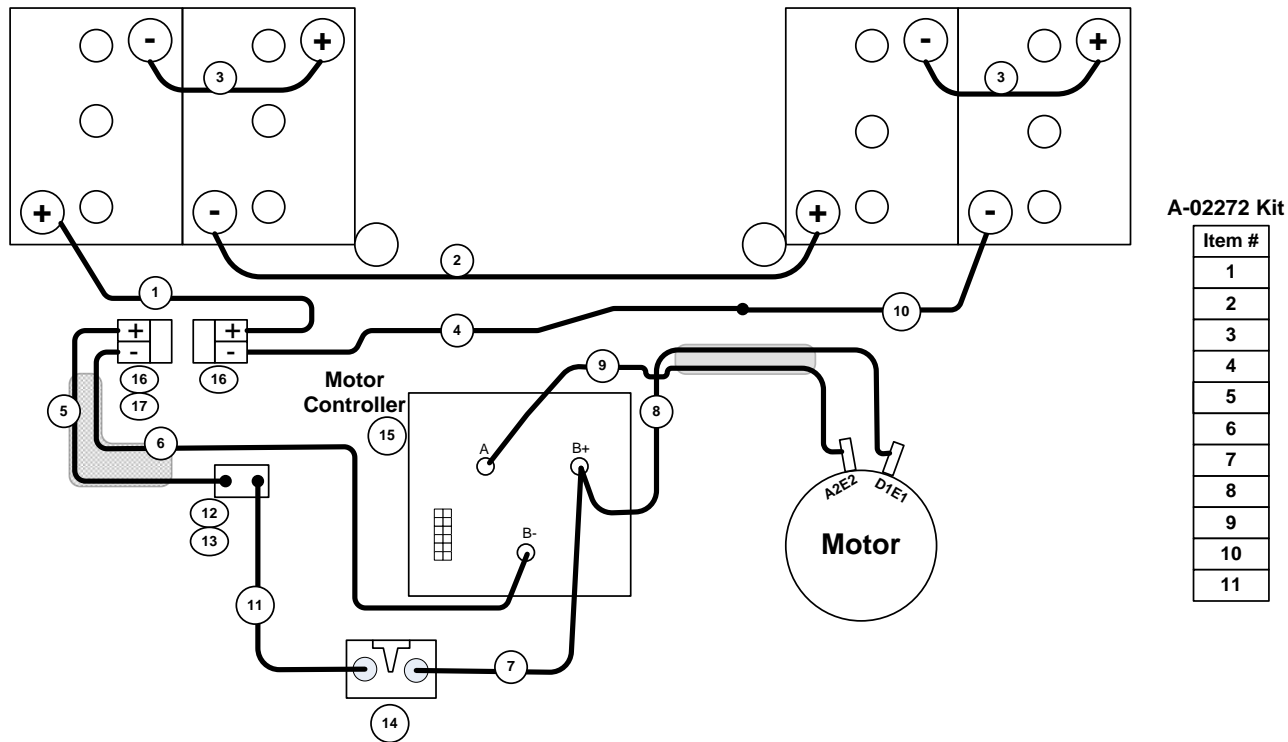
### A-03691 220 VOLTS AC TRAILER TO TOWER WIRE HARNESS



### A-03690 220 VOLTS AC TOWER TO PLATFORM WIRE HARNESS



### A-00272 BATTERY LAYOUT



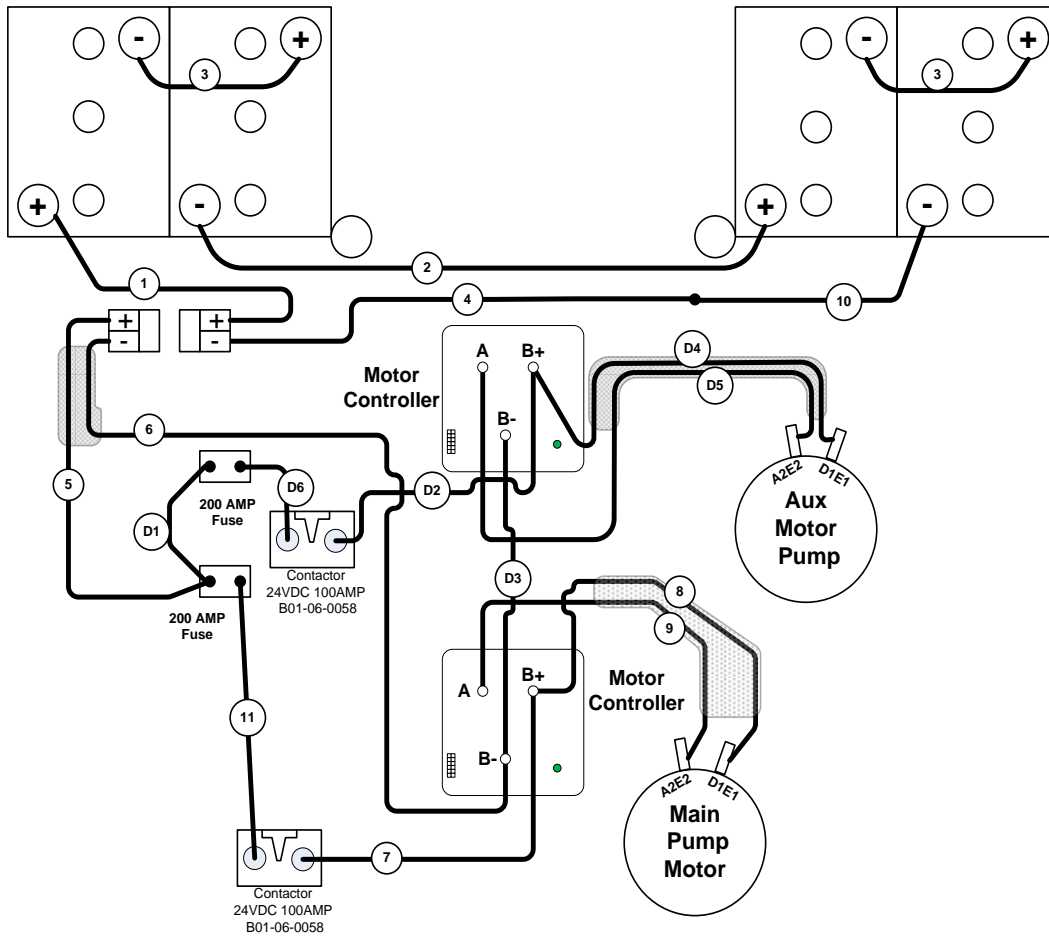
A-02272 Kit

Item #
1
2
3
4
5
6
7
8
9
10
11

Item No.	Gauge	Length	Color	End	End	Qty.
1	2 gauge	30"	Red	5/16 Ring	SBC Lug	1
2	2 gauge	45"	Black	5/16 Ring	5/16 Ring	1
3	2 gauge	8"	Black	5/16 Ring	5/16 Ring	2
4	2 gauge	22"	Black	5/16 Ring	SBC Lug	1
5	2 gauge	24"	Red	5/16 Ring	SBC Lug	1
6	2 gauge	48"	Black	5/16 Ring	SBC Lug	1
7	2 gauge	22"	Red	5/16 Ring	5/16 Ring	1
8	2 gauge	48"	Red	5/16 Ring	5/16 Ring	1
9	2 gauge	45"	Black	5/16 Ring	5/16 Ring	1
10	2 gauge	19"	Black	5/16 Ring	5/16 Ring	1
11	2 gauge	13"	Red	5/16 Ring	5/16 Ring	1

ITEM NO.	PART NUMBER	DESCRIPTION	QTY.
12	B01-10-0330	Fuse, 200 Amp	1
13	B01-10-0331	Fuse Holder, 200 Amp	1
14	B01-06-0058	Contacting, 24 Volt DC	1
15	A-00297	Motor Controller	1
16	B01-09-0131	SBC Plug Connector	1
17	B01-09-0132	A-Frame Handle	1

### A-00943 BATTERY LAYOUT FOR DRIVE & SET OPTION



A-02272 Kit

Item #
1
2
3
4
5
6
7
8
9
10
11

A-00943 Kit

D1
D2
D3
D4
D5
D6

#### A-00943 BATTERY LAYOUT - DRIVE AND SET

FOR ITEMS 1-11 SEE A-00272 BATTERY LAYOUT PAGE

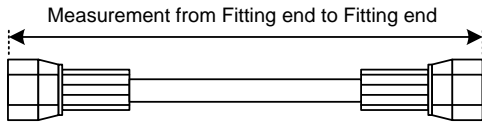
Item No.	Gauge	Length	Color	End	End	Qty.
D1	2 gauge	6"	Red	5/16 Lug	5/16 Lug	1
D2	2 gauge	30"	Red	5/16 Lug	5/16 Lug	1
D3	2 gauge	13"	Black	5/16 Lug	5/16 Lug	1
D4	2 gauge	40"	Red	5/16 Lug	5/16 Lug	1
D5	2 gauge	40"	Black	5/16 Lug	5/16 Lug	1
D6	2 gauge	20"	Red	5/16 Lug	5/16 Lug	1

PART NUMBER	DESCRIPTION	QTY.
B01-10-0330	Fuse, 200 Amp	2
B01-10-0331	Fuse Holder, 200 Amp	2
B01-06-0058	Contactors, 24 Volt DC	2
A-00297	Motor Controller	2
B01-09-0131	SBC Plug Connector	1
B01-09-0132	A-Frame Handle	1

### A-00700 AIR LINE TO PLATFORM

HOSE #	Bil-Jax Part #	QTY	LENGTH	HOSE SIZE	FITTING END 1	FITTING END 2	HOSE LABEL END 1	HOSE LABEL END 2	TAPE COLOR
1	B09-00-0024	1	490"	6	#6 FMJIC STR	#6 FMJIC STR	A-00700 AIR LINE 3632T BOOMS		NONE
2	B09-00-0046	1	142"	6	#6 FMJIC STR	#6 FMJIC STR	A-00700 AIR LINE 3632T TRAILER		NONE

AIR LINE FITTING KIT		
B #	QTY	DESCRIPTION
N/A	2	#6MJIC BULK-#4MNPT (With Jam Nut)
N/A	1	#4 INDUSTRIAL INTERCHANGE QD NIPPLE(Male) W/ #4FMNPT
N/A	1	#4 INDUSTRIAL INTERCHANGE 20 SERIES QD COUPLER(Female) W/ #4FMNPT
N/A	1	#6MJIC-#6MJIC STR Nip



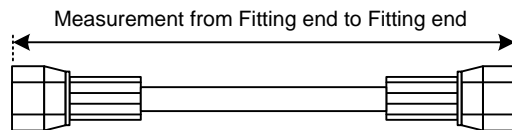
Air Line  
 Minimum PSI Rating: 300 PSI  
 Burst: 4:1  
 Temp Range: -40F - +212F  
 Min Bend Radius:  
 #6 - 4"

### A-00701 WATER LINE TO PLATFORM

HOSE #	B #	QTY	VENDOR PART #	LENGTH	HOSE LABEL END 1	HOSE LABEL END 2
1	B09-00-0044	1	6PW4000-KW-6FJ	142"	A-00701 WATER LINE 3632T TRAILER	
2	B09-00-0031	1	6PW4000-KW-6FJ	490"	A-00701 WATER LINE 3632T Boom	

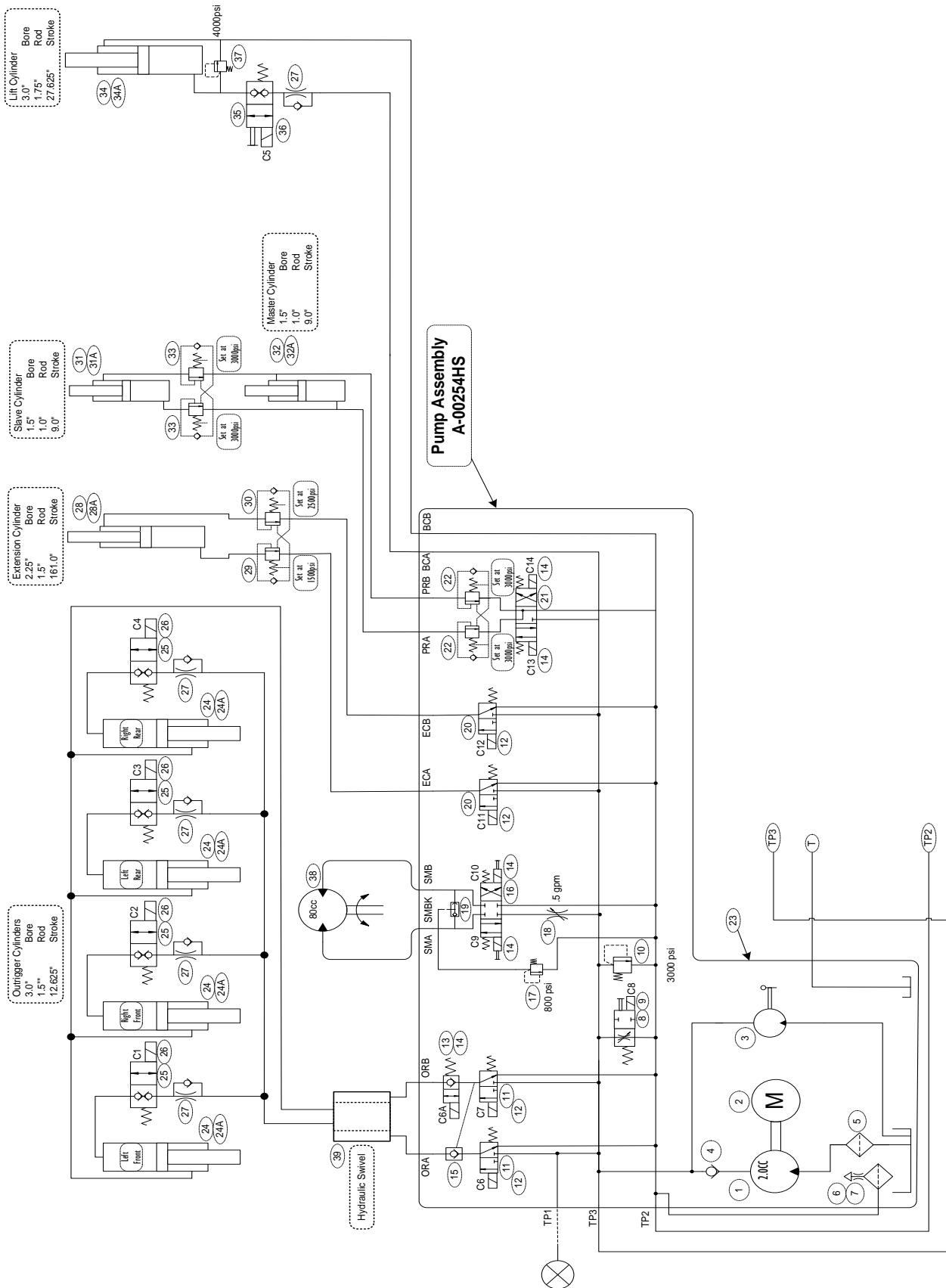
B #	QTY	VENDOR PART #	DESCRIPTION
N/A	2	6-6WFTX-WLN-S	#6MJIC BULK-#6MNPT
N/A	1	BST-3	#6 ST SERIES QD COUPLER W/ #6FMNPT
N/A	1	ST-N3	#6 ST SERIES QD NIPPLE W/ #6FMNPT
B09-00-0055	1		#6 MJIC-#6 MJIC 37 STR

#### HOSE TYPE F



Water Hose  
 Water Line  
 Minimum PSI Rating: 4000 PSI  
 Burst: 4:1  
 Meet or Exceed ISO 11237  
 Type: SAE 100R17  
 Temp Range: -40F - +212F  
 Fluid Temp: +250F  
 Min Bend Radius:  
 #6 - 2.5"

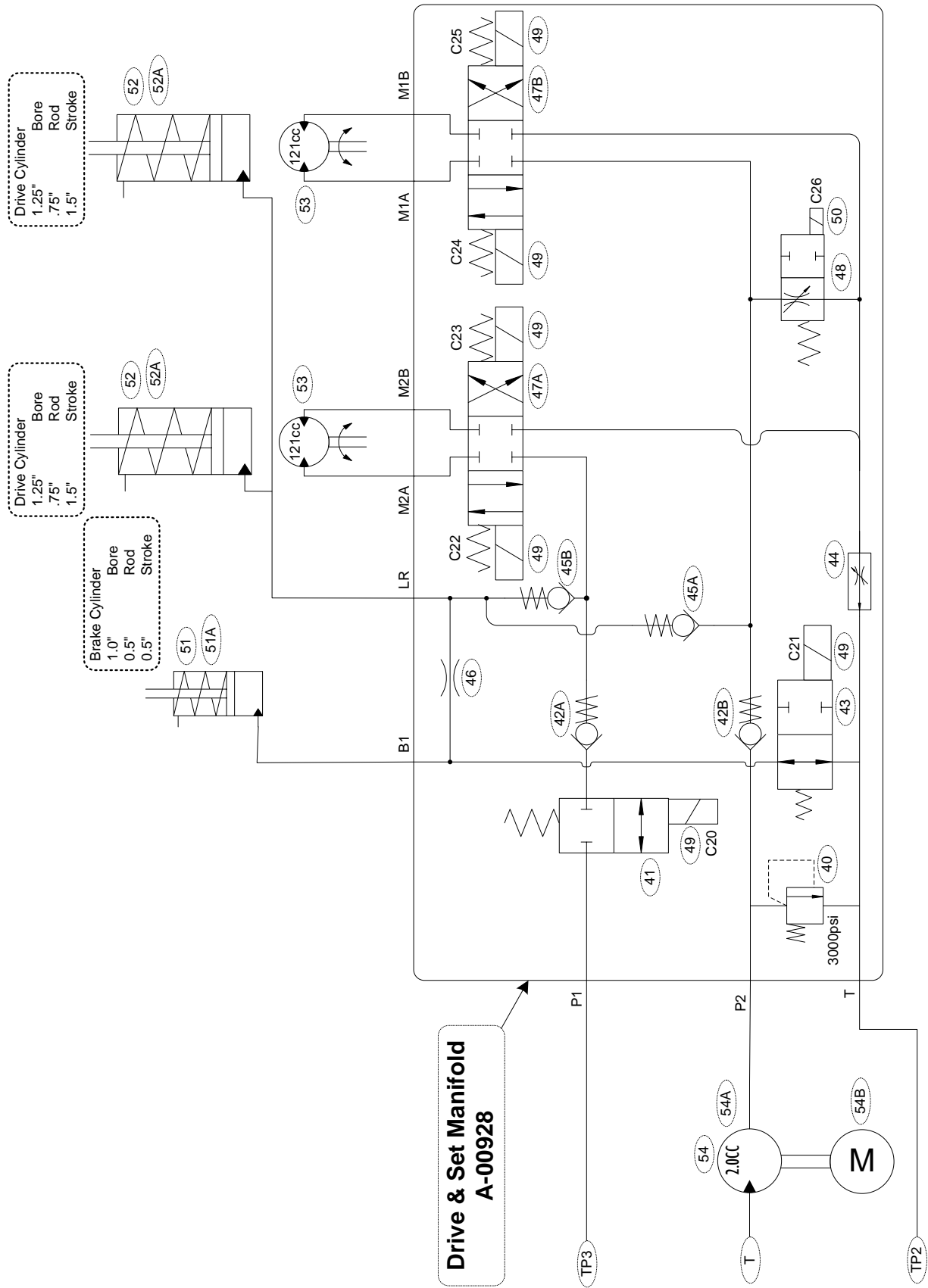
# HYDRAULIC SCHEMATIC



## HYDRAULIC SCHEMATIC

ITEM NO.	PART NUMBER	DESCRIPTION
1	B02-15-0470	Pump - Gear 2.0cc / Rev
2	B02-15-0471	Motor, 24 Volt DC 3KW 3300 rpm
3	B02-15-0472	Pump, Hand .5cc / Pump
4	B02-14-0091	Valve, Check
5	B02-15-0480	Strainer, Suction
6	B02-15-0501	Filter & Housing
7	B02-00-0070	Filter, Replacement
8	B02-14-0094L	Valve, Prop
9	B02-14-0095	Coil, Prop
10	B02-14-0111	Valve, Relief - Set at 3000 psi
11	B02-14-0109	Valve, Outtrigger - Pump
12	B02-14-0113	Coil 20 Volt DC
13	B02-14-0089	Valve, Check - Outtrigger - Pump
14	B02-14-0112	Coil 20 Volt DC
15	B02-14-0110	Valve, Check - PO
16	B02-14-0099	Valve, Cart - Rotate
17	B02-14-0097	Valve, Relief 800 psi - Rotate
18	B02-14-0114	Valve, Flow Control
19	B02-14-0098	Valve, Shuttle
20	B02-14-0108	Valve, Cart - Extend Cylinder
21	B02-14-0101	Valve, Cart - Basket Level
22	B02-14-0100	Valve, Counter Balance
23	B02-15-0513	Reservoir, 4.3 Gallon Capacity Useable
24	A-00138	Cylinder, Outtrigger
24A	B02-13-0129	Seal Kit, For A-00138
25	B02-04-0118	Valve, Double Check
26	B01-08-0022	Coil, 20 Volt DC
27	B02-14-0087	Orifice disc, .037
28	A-00550	Cylinder, Extension
28A	B02-13-0132	Seal Kit, A-00550
29	B02-04-0106	Valve, Counter Balance - CBCA-LHN
30	B02-04-0105	Valve, Counter Balance - CABG-LGN
31	A-00553	Cylinder, Slave
31A	B02-13-0131	Seal Kit, For A-00553
32	A-00552	Cylinder, Master
32A	B02-13-0130	Seal Kit, For A-00552
33	B02-04-0095	Valve, Counter Balance - CABG-LHN
34	A-00551	Cylinder, Lift
34A	B02-13-0128	Seal Kit, For A-00551
35	B02-04-0101	Valve, Double Check
36	B01-08-0019A	Coil, 20 Volt DC
37	B02-04-0109	Relief, Thermal - Set at 4000 psi
38	B02-06-0018	Slew Drive, 80CC
39	A-00257	Hydraulic Swivel-Only on Machines with 360°Continuous Rotation

### HYDRAULIC SCHEMATIC FOR DRIVE & SET OPTION

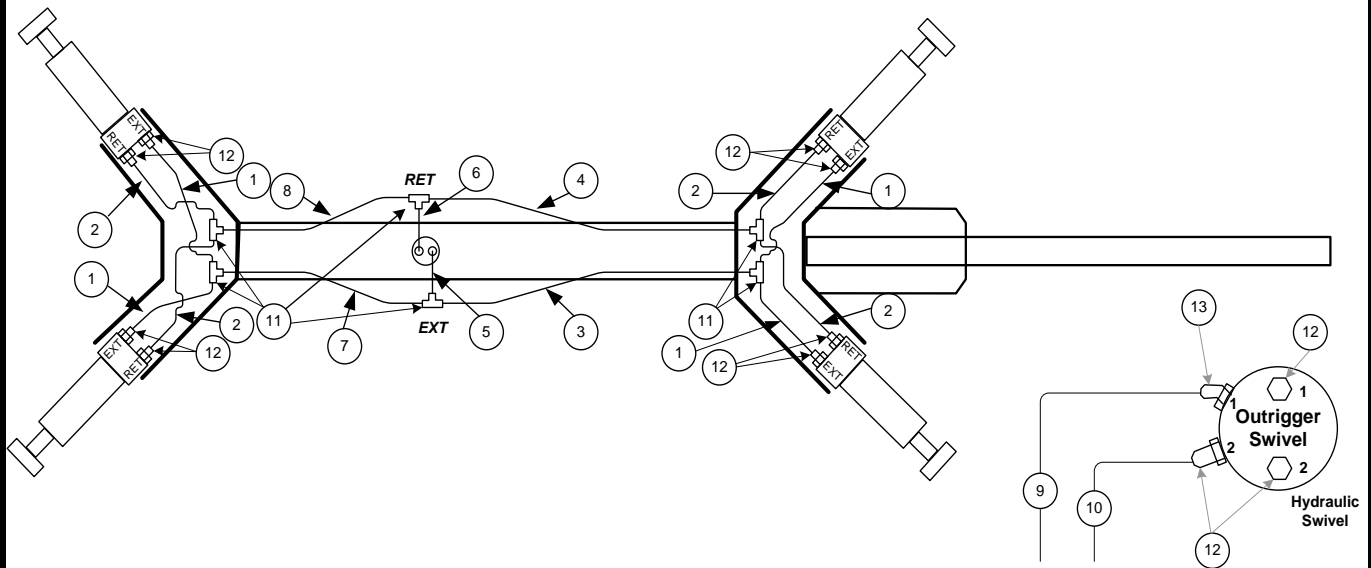


**Drive & Set Manifold  
A-00928**

## HYDRAULIC SCHEMATIC FOR DRIVE & SET OPTION

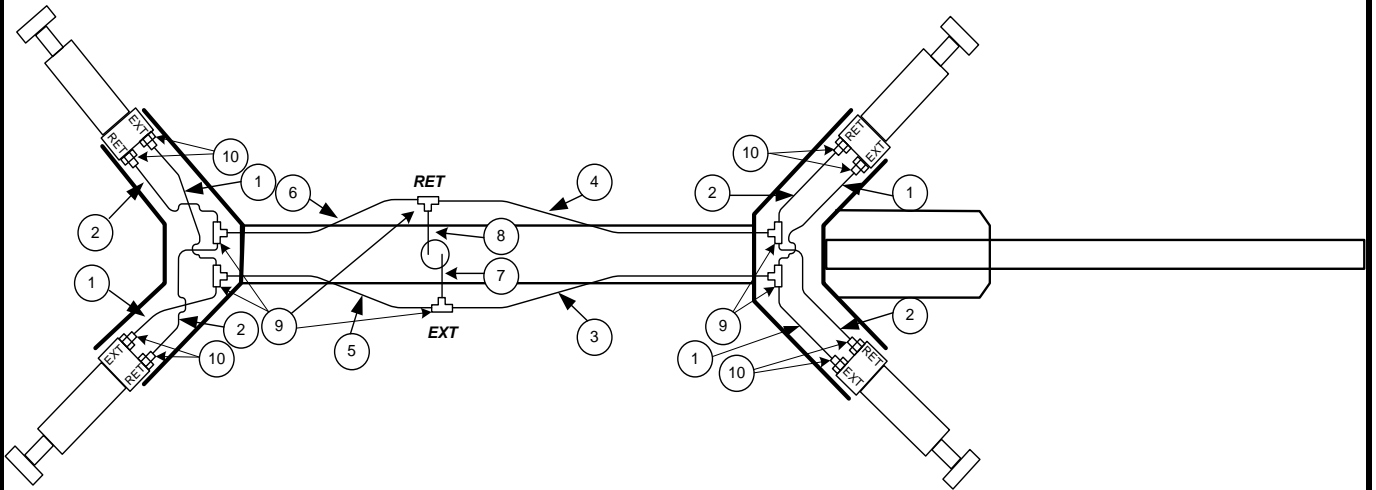
ITEM NO.	PART NUMBER	DESCRIPTION
40	B02-15-0515	Valve, Pressure Relief - 3000 PSI
41	B02-15-0516	Valve, Cart NC
42A & 42B	B02-14-0092	Valve, Check
43	B02-15-0518	Valve, Cart NO
44	B02-15-0519	Valve, Flow Control
45A & 45B	B02-15-0520	Valve, Check
46	B02-15-0521	Orifice, 1.0 mm
47A & 47B	B02-15-0522	Valve, Directional
48	B02-15-0523	Valve, Prop NO
49	B02-15-0525	Coil, 20 Volt DC Deutsch Connector
50	B02-15-0524	Coil, 20 Volt DC Deutsch Connector - Prop valve
51	A-00930	Cylinder, Brake Release
51A	B02-13-0157	Seal Kit, For A-00930
52	A-00906	Cylinder, Drive and Set
52A	B02-13-0153	Seal Kit, For A-00906
53	A-00915	Motor, Hydraulic - 121cc
54	A-00235	Auxiliary Pump
54A	B02-15-0529	Pump, Gear - 2.0cc / Rev
54B	B02-15-0528	Motor, 24 Volt DC - 3KW - 3300 rpm

**A-00182 HYDRAULIC HOSE LAYOUT – TRAILER 360° CONTINUOUS ROTATION**



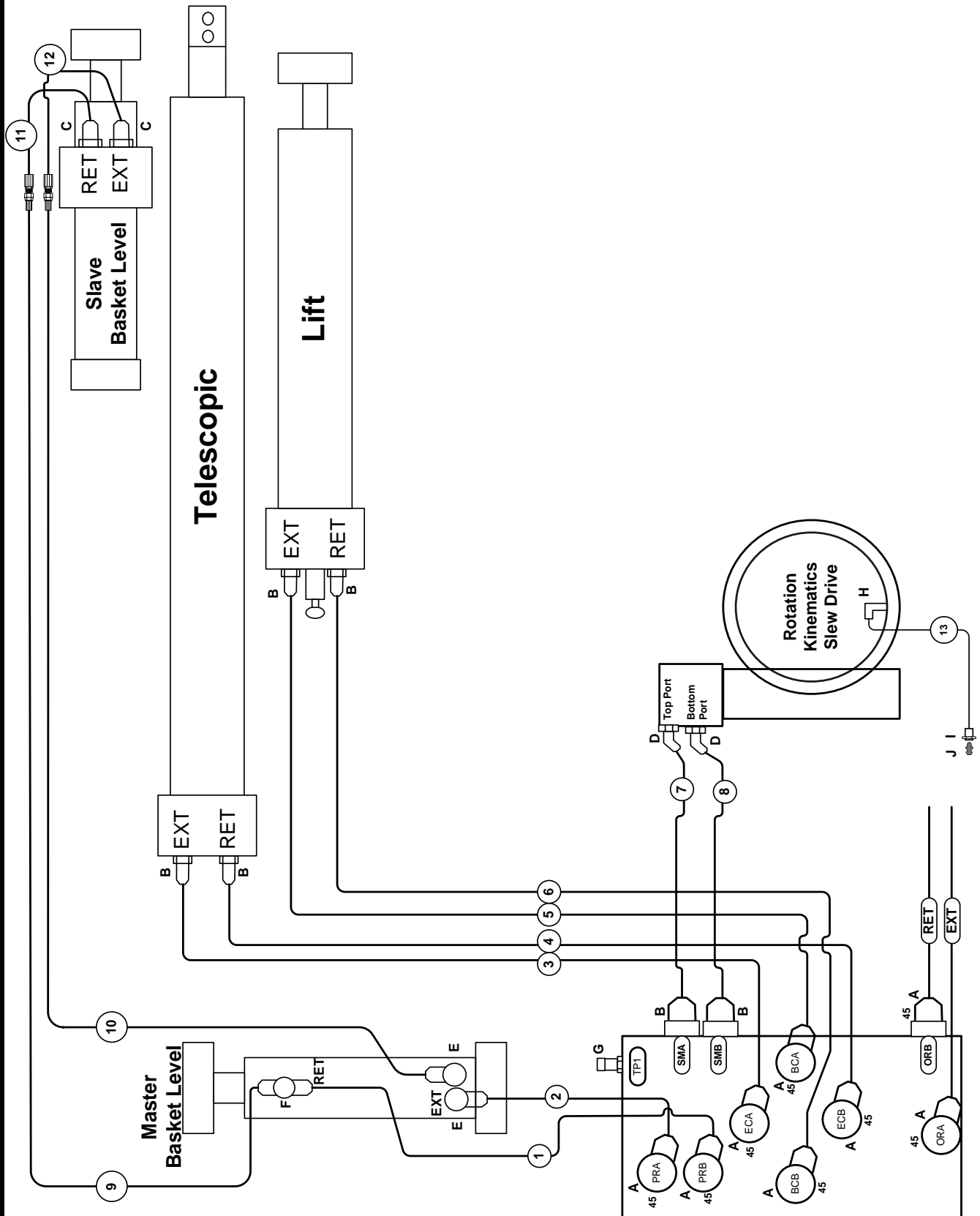
ITEM NO.	PART NUMBER	DESCRIPTION	QTY.
1	B02-01-0213	# 4 x 28" Hydraulic Hose	4
2	B02-01-0214	# 4 x 28" Hydraulic Hose	4
3	B02-01-0215	# 6 x 56" Hydraulic Hose	1
4	B02-01-0216	# 6 x 56" Hydraulic Hose	1
5	B02-01-0217	# 6 x 16" Hydraulic Hose	1
6	B02-01-0218	# 6 x 16" Hydraulic Hose	1
7	B02-01-0219	# 6 x 28" Hydraulic Hose	1
8	B02-01-0220	# 6 x 28" Hydraulic Hose	1
9	B02-01-0273	# 6 x 18" Hydraulic Hose	1
10	B02-01-0272	# 6 x 18" Hydraulic Hose	1
11	B02-01-0258	# 6 MORFS TEE	6
12	B02-01-0259	# 6 MORFS - # 6 MORB STRAIGHT	11
13	B02-01-0264	# 6 MORFS - # 6 MORB 45°	1

**A-03182 HYDRAULIC HOSE LAYOUT - TRAILER 700° ROTATION**



ITEM NO.	PART NUMBER	DESCRIPTION	QTY.
1	B02-01-0213	# 4 x 28" Hydraulic Hose	4
2	B02-01-0214	# 4 x 28" Hydraulic Hose	4
3	B02-01-0215	# 6 x 56" Hydraulic Hose	1
4	B02-01-0216	# 6 x 56" Hydraulic Hose	1
5	B02-01-0219	# 6 x 28" Hydraulic Hose	1
6	B02-01-0220	# 6 x 28" Hydraulic Hose	1
7	B02-01-0327	# 6 x 46" Hydraulic Hose	1
8	B02-01-0328	# 6 x 46" Hydraulic Hose	1
9	B02-01-0258	# 6 MORFS TEE	6
10	B02-01-0259	# 6 MORFS - # 6 MORB STRAIGHT	11

### A-00269 HYDRAULIC HOSE LAYOUT - BOOM



## HYDRAULIC HOSE LAYOUT – BOOM

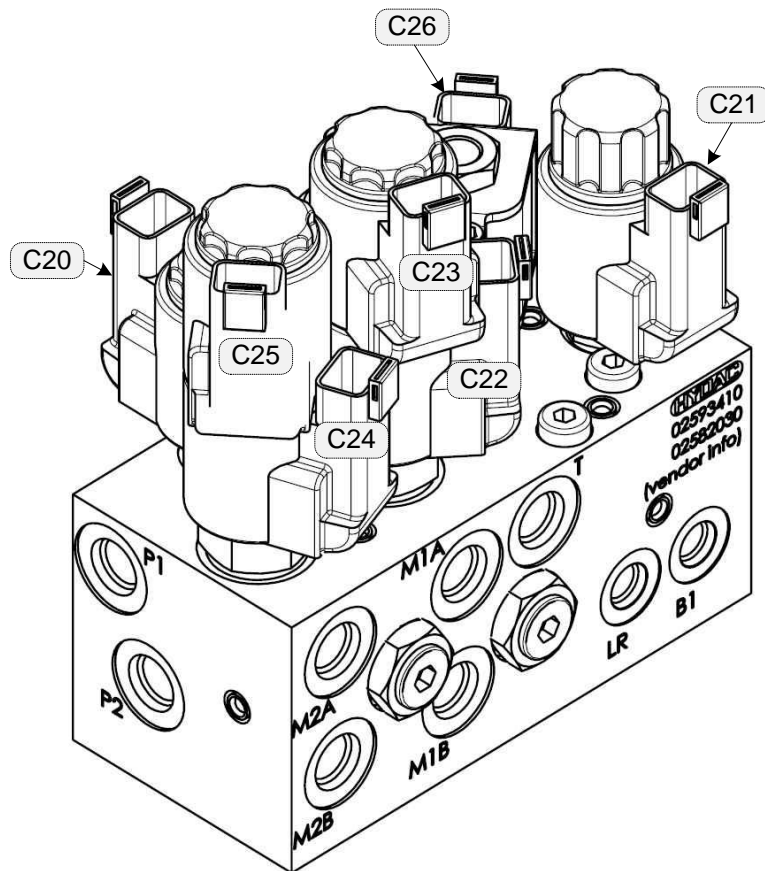
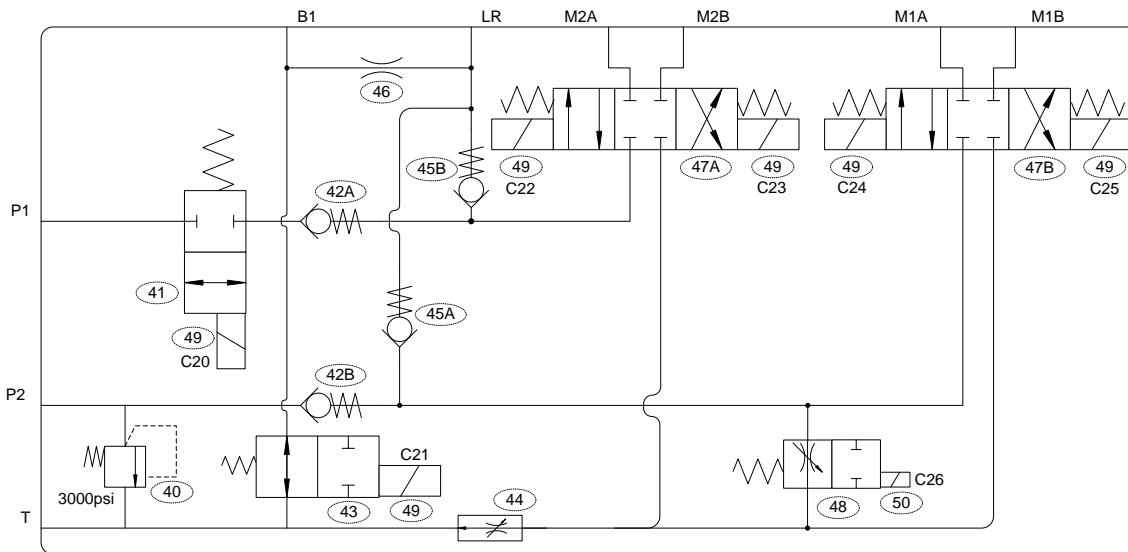
### A-00269 HYDRAULIC HOSE KIT- BOOM - HOSES

ITEM NO.	PART NUMBER	DESCRIPTION	QTY.
1	B02-01-0274	# 4 x 52" Hydraulic Hose	1
2	B02-01-0275	# 4 x 42" Hydraulic Hose	1
3	B02-01-0276	# 6 x 66" Hydraulic Hose	1
4	B02-01-0277	# 6 x 66" Hydraulic Hose	1
5	B02-01-0278	# 4 x 48" Hydraulic Hose	1
6	B02-01-0279	# 4 x 48" Hydraulic Hose	1
7	B02-01-0280	# 4 x 36" Hydraulic Hose	1
8	B02-01-0281	# 4 x 36" Hydraulic Hose	1
9	B02-01-0233	# 4 x 419" Hydraulic Hose	1
10	B02-01-0232	# 4 x 427" Hydraulic Hose	1
11	B02-01-0234	# 4 x 20" Hydraulic Hose	1
12	B02-01-0235	# 4 x 20" Hydraulic Hose	1
13	B02-01-0204	# 2 x 32" Hydraulic Hose	1

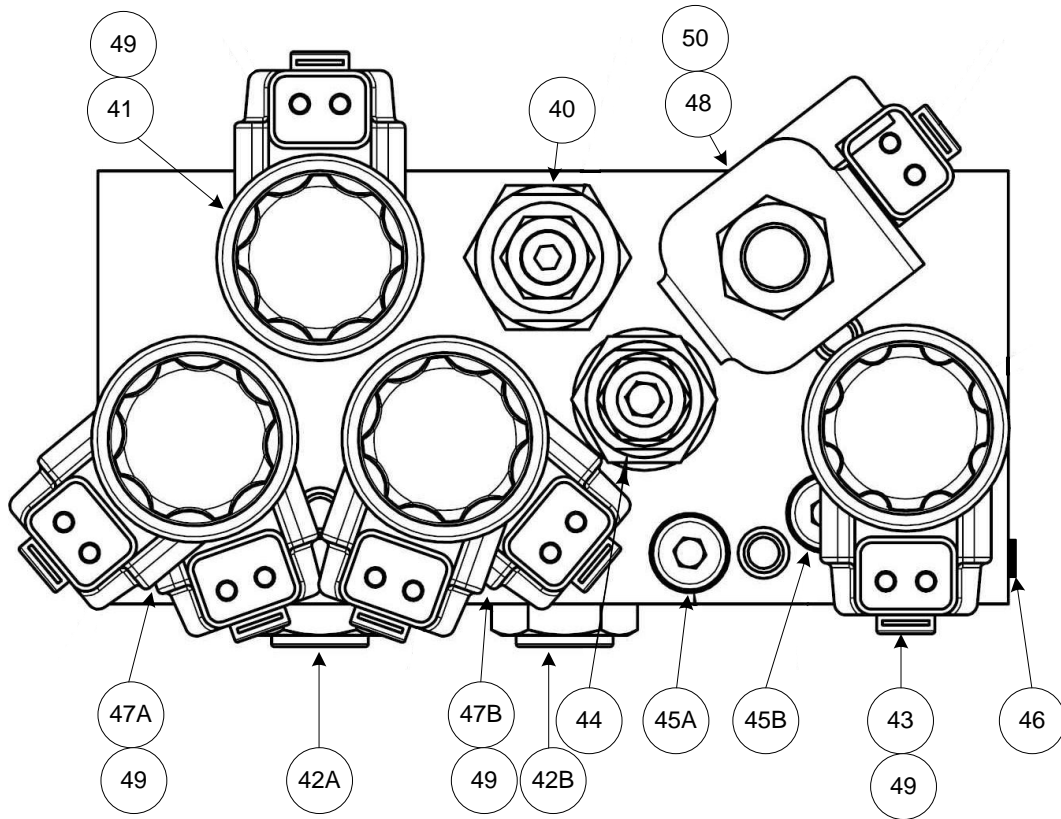
### A-00269F HYDRAULIC HOSE KIT- BOOM - FITTINGS

ITEM NO.	PART NUMBER	DESCRIPTION	QTY.
A	B02-02-0264	# 6 MORFS - # 6MORB 45°	8
B	B02-02-0259	# 6 MORFS - # 6 MORB STRAIGHT	6
C	B02-02-0237	# 4 MORFS - # 6 MORB STRAIGHT	2
D	B02-02-0262	# 8 MORFS - # 10 MORB 45°	2
E	B02-02-0229	# 4 MORFS - # 6 MORB 90°	2
F	B02-02-0270	# 6 MORFS - # 6 MORB - # 6 MORFS TEE	1
G	B02-02-0242	Quick Coupler, Male - # 4 MORB	1
H	B02-02-0196	1/8" MNPT - 1/8" FMNPT 90°	1
I	B02-00-0082	Hex Nut with Nylon Insert, #2	1
J	B02-00-0081	Zerk Grease	1

### A-00928 MANIFOLD FOR DRIVE & SET OPTION

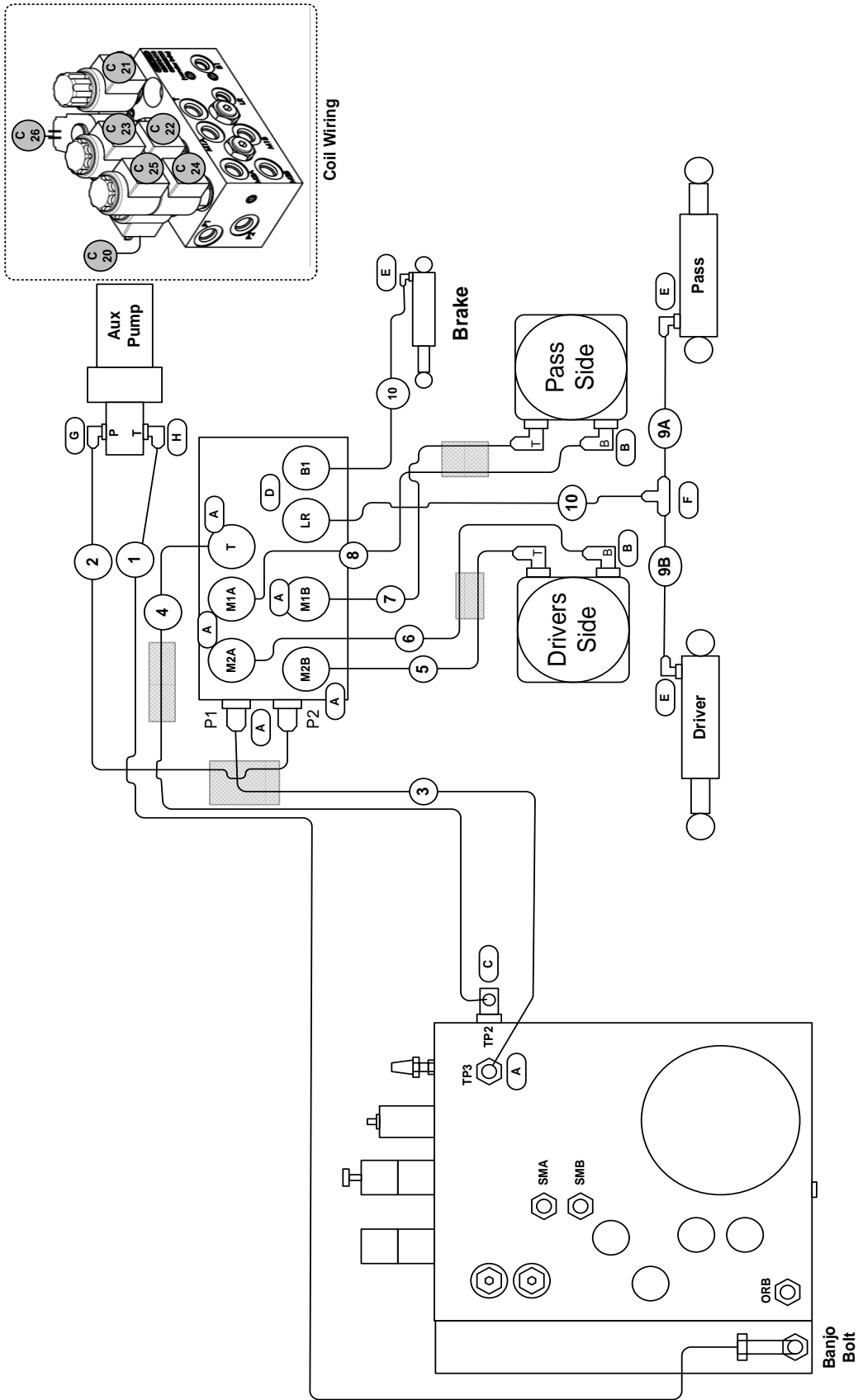


### A-00928 MANIFOLD FOR DRIVE & SET OPTION



ITEM NO.	PART NUMBER	DESCRIPTION
40	B02-15-0515	Valve, Pressure Relief - 3000 PSI
41	B02-15-0516	Valve, Cart NC
42A & 42B	B02-14-0092	Valve, Check
43	B02-15-0518	Valve, Cart NO
44	B02-15-0519	Valve, Flow Control
45A & 45B	B02-15-0520	Valve, Check
46	B02-15-0521	Orifice, 1.0 mm
47A & 47B	B02-15-0522	Valve, Directional
48	B02-15-0523	Valve, Prop NO
49	B02-15-0525	Coil, 20 Volt DC Deutsch Connector
50	B02-15-0524	Coil, 20 Volt DC Deutsch Connector - Prop valve

# A-00938 HYDRAULIC HOSE LAYOUT FOR DRIVE & SET OPTION

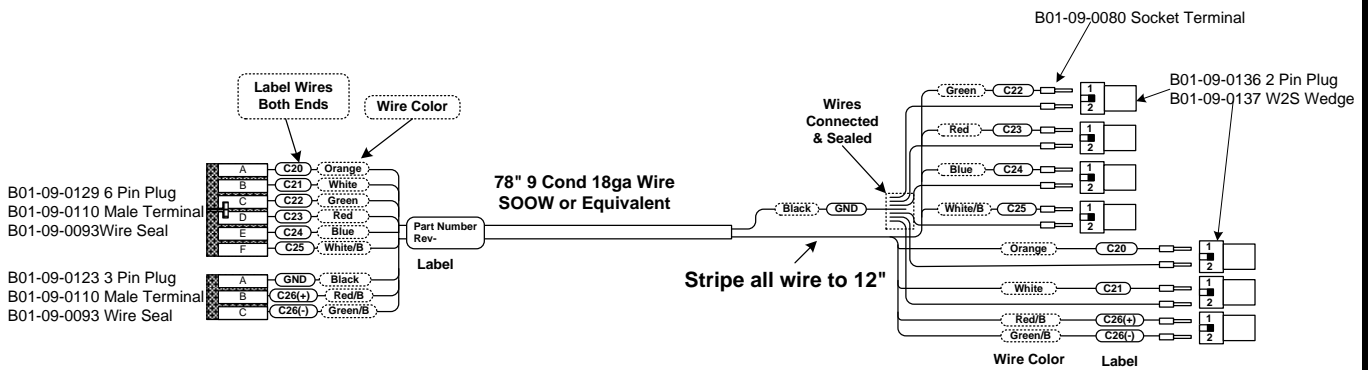


**A-00938 HYDRAULIC HOSE LAYOUT FOR DRIVE & SET OPTION**

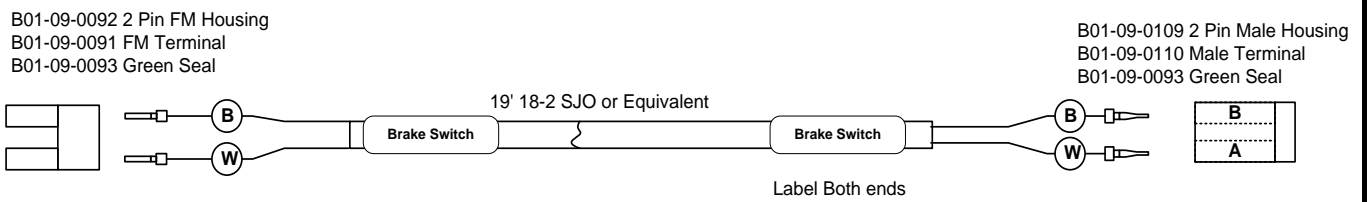
ITEM NO.	PART NUMBER	DESCRIPTION	QTY.
1	B02-01-0353	# 8 x 28" Hydraulic Hose	1
2	B02-01-0347	# 6 x 80" Hydraulic Hose	1
3	B02-01-0348	# 6 x 90" Hydraulic Hose	1
4	B02-01-0370	# 6 x 90" Hydraulic Hose	1
5	B02-01-0355	# 6 x 69" Hydraulic Hose	1
6	B02-01-0356	# 6 x 69" Hydraulic Hose	1
7	B02-01-0357	# 6 x 26" Hydraulic Hose	1
8	B02-01-0358	# 6 x 26" Hydraulic Hose	1
9A	B02-01-0416	# 4 x 16" Hydraulic Hose	1
9B	B02-01-0417	# 4 x 73" Hydraulic Hose	1
10	B02-01-0373	# 4 x 30" Hydraulic Hose	1
A	B02-02-0259	# 6 MORFS - # 6 MORB STRAIGHT	8
B	B02-02-0285	# 6 MORFS - # 10 MORB 90°	4
C	B02-02-0260	# 6 MORFS - # 6 MORB 90°	2
D	B02-02-0287	# 4 MORFS - # 4 MORB STRAIGHT	2
E	B02-02-0288	# 4 MORFS - # 4 MORB 90°	3
F	B02-02-0289	# 4 MORFS - # 4 MORFS - # 4 MORFS TEE	1
G	B02-02-0301	M14 - # 6 MORFS 90°	1
H	B02-02-0302	M18 - # 8 MORFS 90°	1

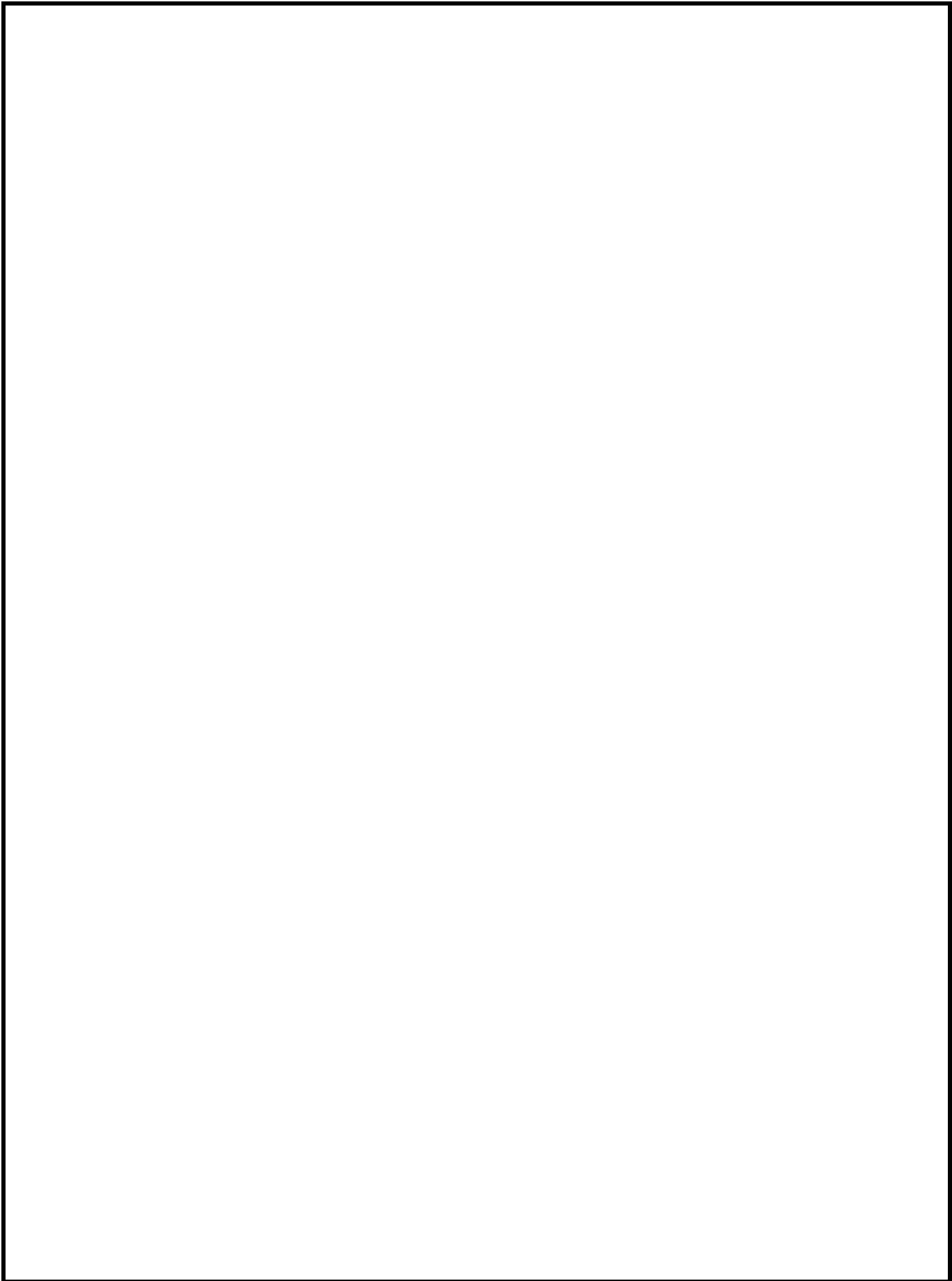


### A-00947 MANIFOLD HARNESS FOR DRIVE & SET OPTION



### A-00946 BRAKE SWITCH HARNESS FOR DRIVE & SET OPTION

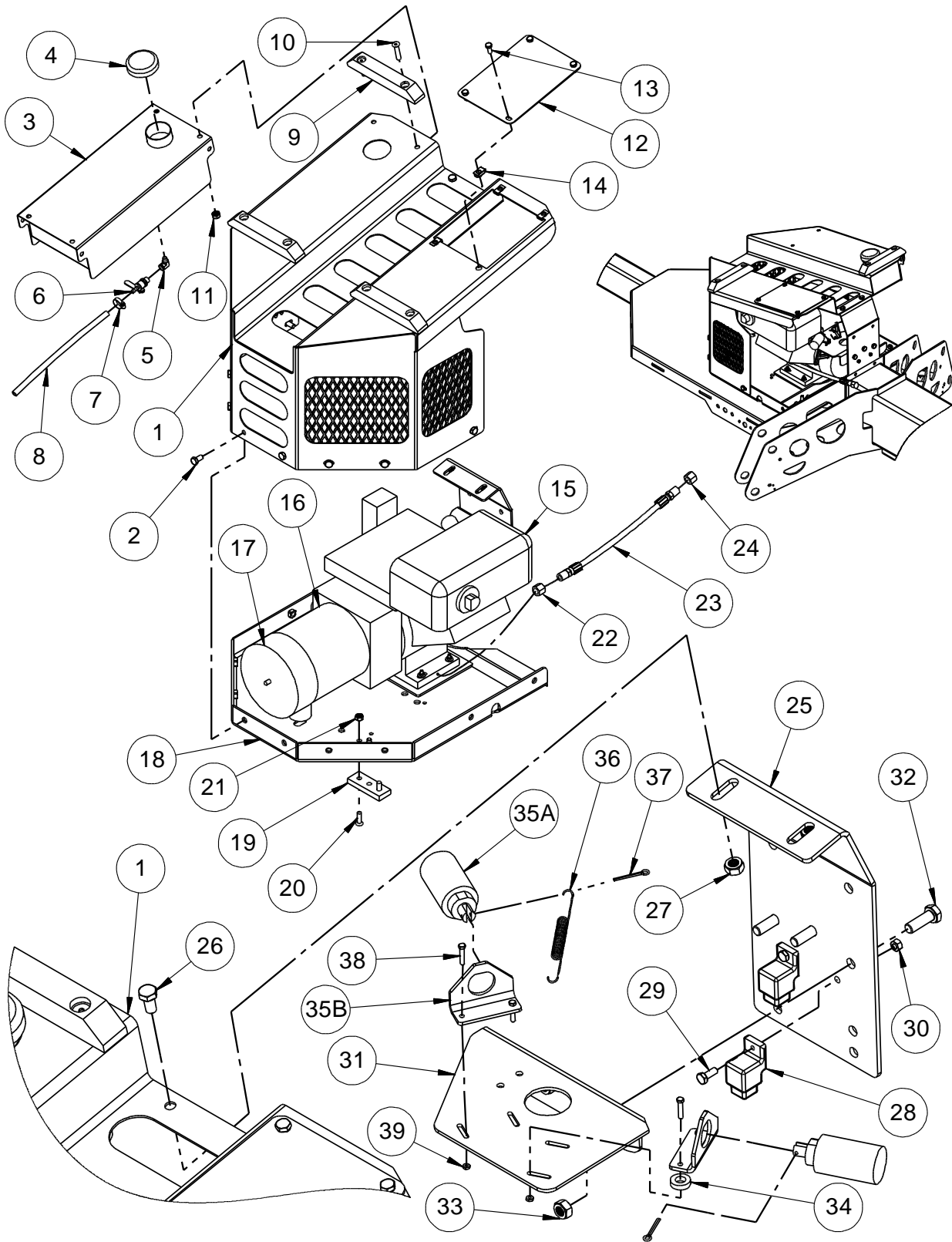




## 4 OPTIONAL EQUIPMENT

IC ENGINE / GENERATOR - COVER AND TRAY ASSEMBLY .....	166
IC ENGINE / GENERATOR - MOTOR MOUNT ASSEMBLY .....	168
IC ENGINE / GENERATOR - AC POWER HOOK-UP ASSEMBLY .....	102
MANUAL PLATFORM ROTATE ASSEMBLY .....	170
MATERIAL LIFT ASSEMBLY .....	172
SWIVEL WITH 360° ROTATION .....	174

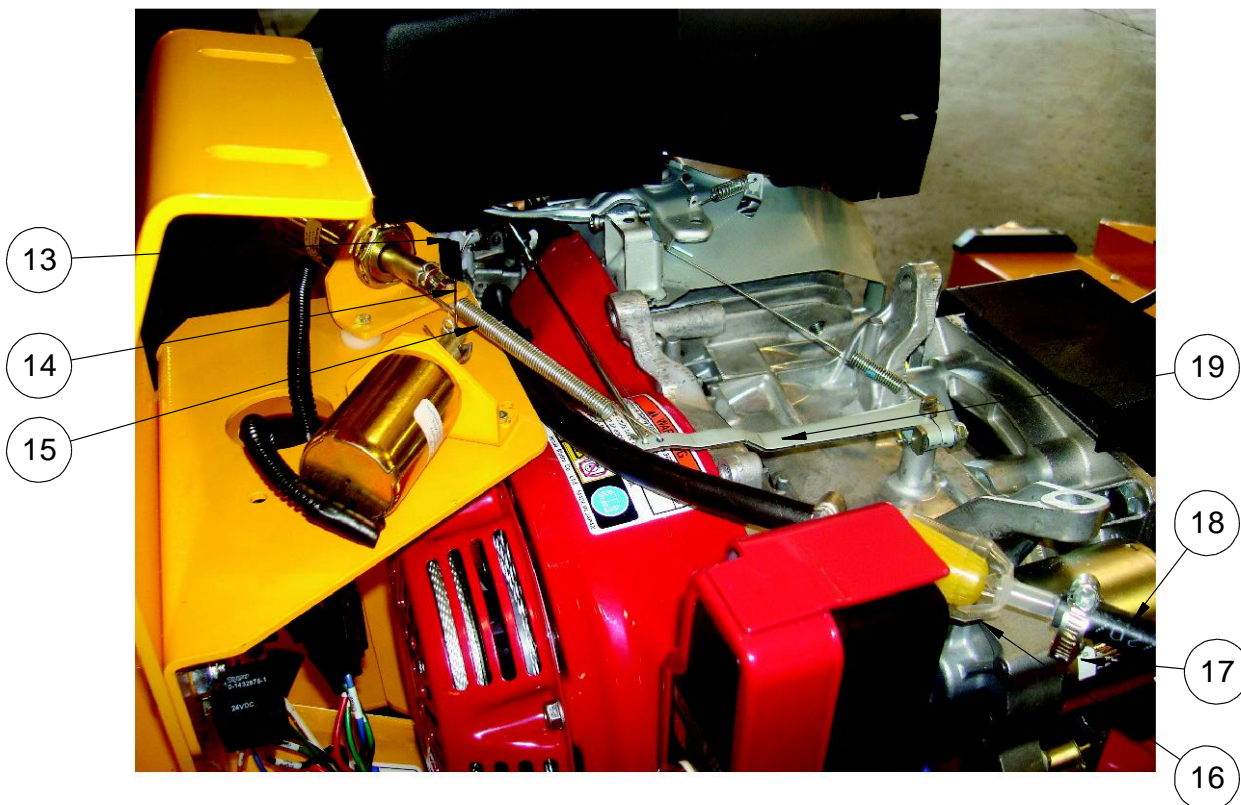
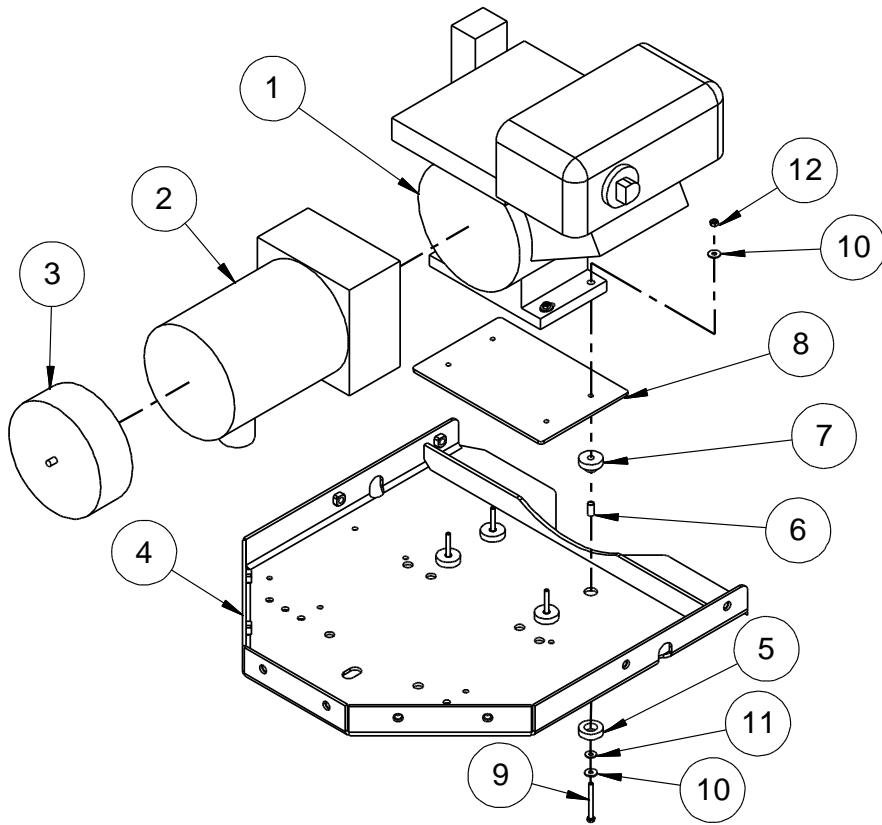
# IC ENGINE / GENERATOR - COVER AND TRAY ASSEMBLY



**IC ENGINE / GENERATOR - COVER AND TRAY ASSEMBLY**

ITEM NO.	PART NUMBER	DESCRIPTION	QTY.
1	A-01425	Cover	1
2	0096-0014	Screw, Hex Head Cap - M10 x 20	8
3	A-01428	Gas Tank, Steel	1
4	A-01434	Filler Cap, Vented - for Steel Tank	1
5	B02-02-0291	Fitting, 90° # 4 MNPT - # 4 FMNPT - Brass	1
6	B02-04-0116	Valve Ball, 1/4 HB x 1/4 MBV	1
7	B02-00-0063	Hose Clamp, #4	4
8	B20-00-0021	Fuel Line-1/4 Inch	1
9	A-01437	Pad, Cover	3
10	0096-0068	Screw, Flat Head Socket Cap - 10 x 45	6
11	0096-0041	Hex Nut with Nylon Insert - M10	6
12	A-01405	Air Filter Cover	1
13	0096-0010	Screw, Hex Head Cap - M8 x 20	4
14	0096-0067	Nut -Clip - M8	4
15	A-01407	Motor, 9 HP Tapered Shaft	1
16	A-00406	Generator, 3600 rpm - 60 Hz	1
17	A-01406	Generator Cap	1
18	A-01410	Tray	1
19	A-01421	Pad	4
20	0096-0092	Screw, Flat Head Socket Cap - M10 x 30	8
21	0096-0041	Hex Nut with Nylon Insert - M10	8
22	B02-02-0181	Fitting, Engine Oil Drain - Not Shown	1
23	B02-01-0001	Hose, Hydraulic - # 4 x 15.0 inch #4NPTM	1
24	B02-02-0182	Fitting, Cap - Hex # 4 NPT	1
25	A-01420	Bracket	1
26	0096-0016	Screw, Hex Head Cap - M10 x 25	2
27	0096-0041	Hex Nut with Nylon Insert - M10	2
28	B01-06-0053	Relay, 24 VDC 20 Amp	2
29	0096-0125	Screw, Hex Head Cap - M5 x 16	2
30	0096-0126	Hex Nut with Nylon Insert - M5	2
31	A-00419	Mount, Solenoid	1
32	0096-0017	Screw, Hex Head Cap - M10 x 30	3
33	0096-0041	Hex Nut with Nylon Insert - M10	3
34	0096-0047	Washer, Nylon - M10	2
35	A-01408	Solenoid Bracket	1
35A	A-00410A	Solenoid Assembly, 24Volt	2
35B	A-00410	Solenoid, 24Volt - Continuous Duty	1
35C	B00-00-0170	Wire Casing - Not Shown	0.5
35D	B01-09-0092	Connector Assembly, 2 Female - Not Shown	1
34E	B01-09-0091	Terminal, Female - 16/18 Gauge - Not Shown	2
35F	B01-09-0093	Seal, Wire - 16/18 Gauge - Green - Not Shown	2
36	B39-00-0020	Spring, Tension	1
37	0090-0144	Pin, Cotter - 3/32 x 3/4	2
38	0096-0074	Screw, Hex Head Cap - M4 x 20	4
39	0096-0073	Hex Nut with Nylon Insert - M4	4

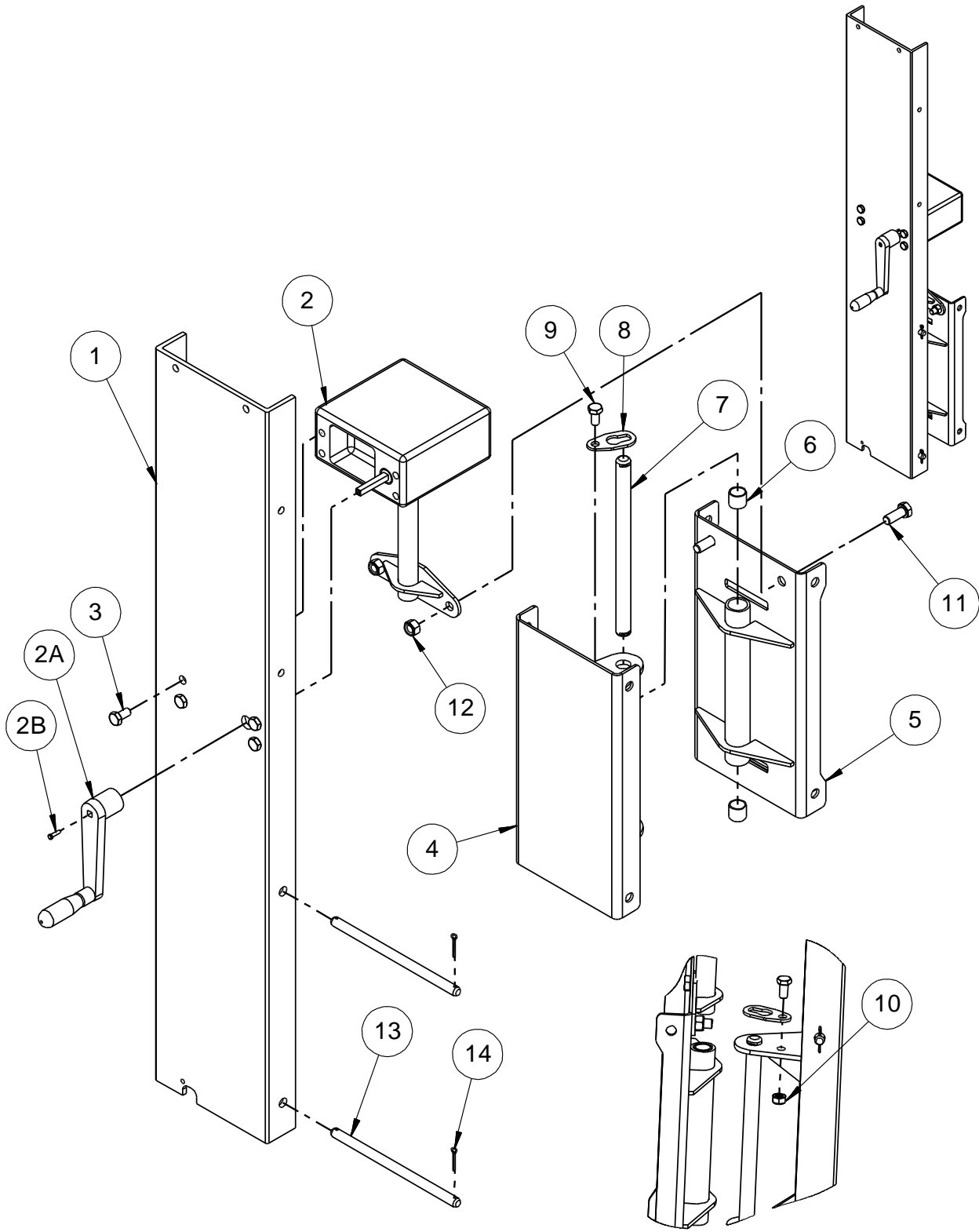
### IC ENGINE / GENERATOR - MOTOR MOUNT ASSEMBLY



## IC ENGINE / GENERATOR - MOTOR MOUNT ASSEMBLY

ITEM NO.	PART NUMBER	DESCRIPTION	QTY.
1	A-01407	Motor, 9 HP Tapered Shaft	Ref.
2	A-00406	Generator, 3600 rpm - 60 Hz	Ref.
3	A-01406	Generator Cap	Ref.
4	A-01410	Tray	Ref.
5	B20-00-0006	Mount Ring	4
6	B07-10-1263	Tube, .375 x .049 x .750	4
7	B20-00-0007	Mount Bushing	4
8	B07-06-5198	Plate	1
9	0096-0085	Screw, Hex Head Cap - M6 x 60	4
10	0096-0077	Flat Washer, M6 - Large	8
11	0096-0076	Flat Washer, M12 - Large	4
12	0096-0039	Hex Nut with Nylon Insert - M6	4
13	-	Choke Arm - Part of Engine	1
14	B20-00-0018	Wire, Choke Linkage - .051 gauge	1
15	B39-00-0020	Spring, Tension	1
16	B20-00-0017	Fuel Filter, Inline - 1/4 inch Ends	1
17	B02-00-0063	Hose Clamp, #4	4
18	B20-00-0021	Fuel Line-1/4 Inch	1
19	-	Governor Arm - Part of Engine	1
20	A-00413	Linkage Spring - Not Shown	1
21	B01-09-0130	Wire splice, T-Tap - 18 - 14 gauge - Not Shown	2

# MANUAL PLATFORM ROTATE ASSEMBLY

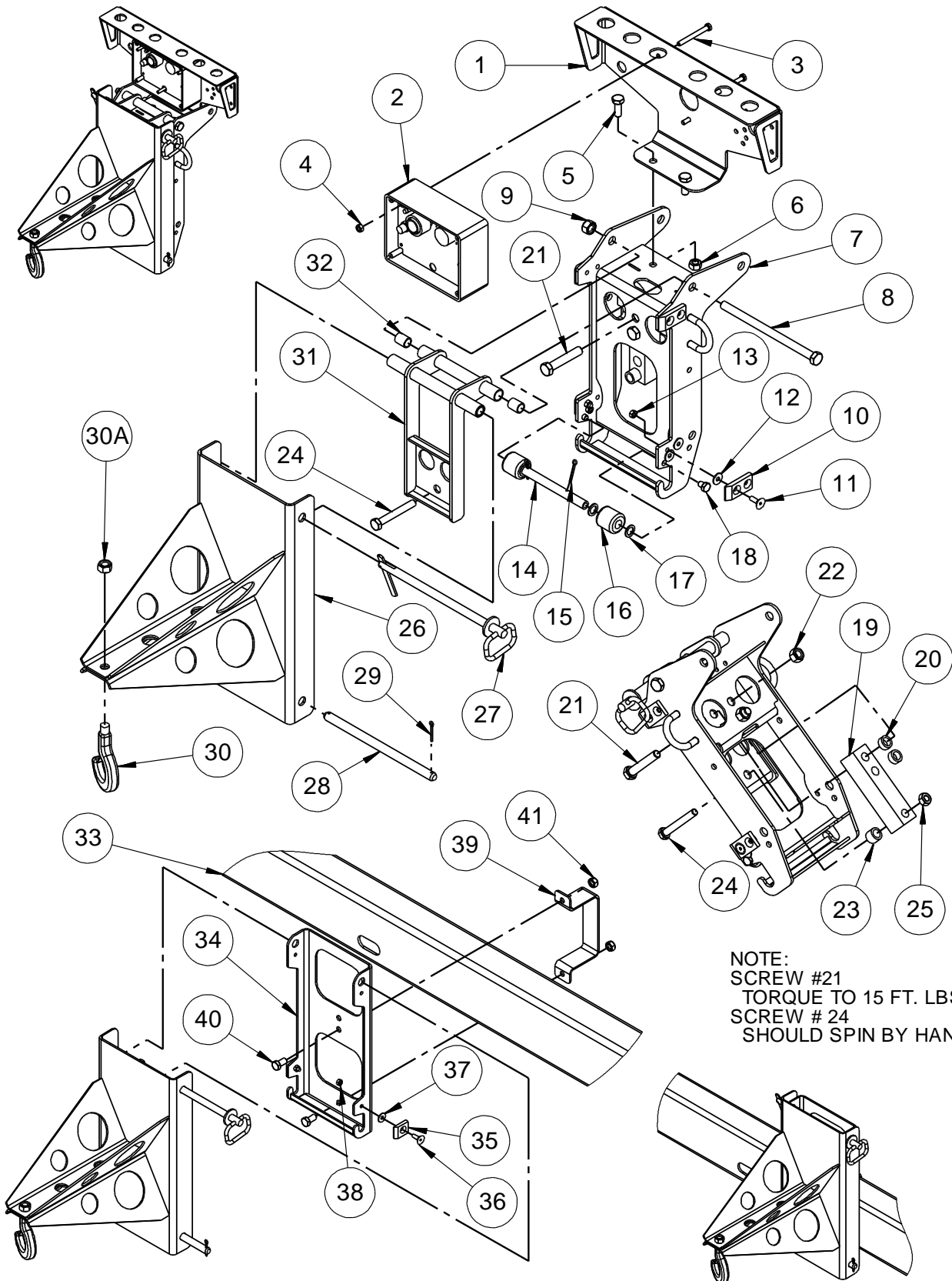


DETAIL VIEW

## MANUAL PLATFORM ROTATE ASSEMBLY

ITEM NO.	PART NUMBER	DESCRIPTION	QTY.
	A-00300	Manual Platform Rotator Assembly	1
1	A-00449	Platform Assembly	Ref.
2	A-00315	Gearbox	1
2A	A-00340	Crank Handle - Square Shaft Replaces A-00325 - Round Shaft Effective 2010	1
2B	-	Bolt - Supplied with Gear Box	1
3	0096-0014	Screw, Hex Head Cap M10 x 20	4
4	A-00308	Platform Rotate Mount Weldment	1
5	A-00301	Platform Rotate Mount A Weldment	1
6	A-00330	Bearing, .75 ID x .75 Long x .125 Thick	2
7	A-00329	Pin, .75 x 10.75	1
8	A-00017	Pin Retainer, .75	2
9	0096-0014	Screw, Hex Head Cap - M10 x 20	2
10	0096-0041	Hex Nut with Nylon Insert, M10	2
11	0096-0019	Screw, Hex Head Cap - M12 x 25	2
12	0096-0042	Hex Nut with Nylon Insert, M12	2
13	A-00071	Pin, .5 x 8.875	2
14	0090-0147	Pin, Cotter - 1/8 x 1 1/4	4

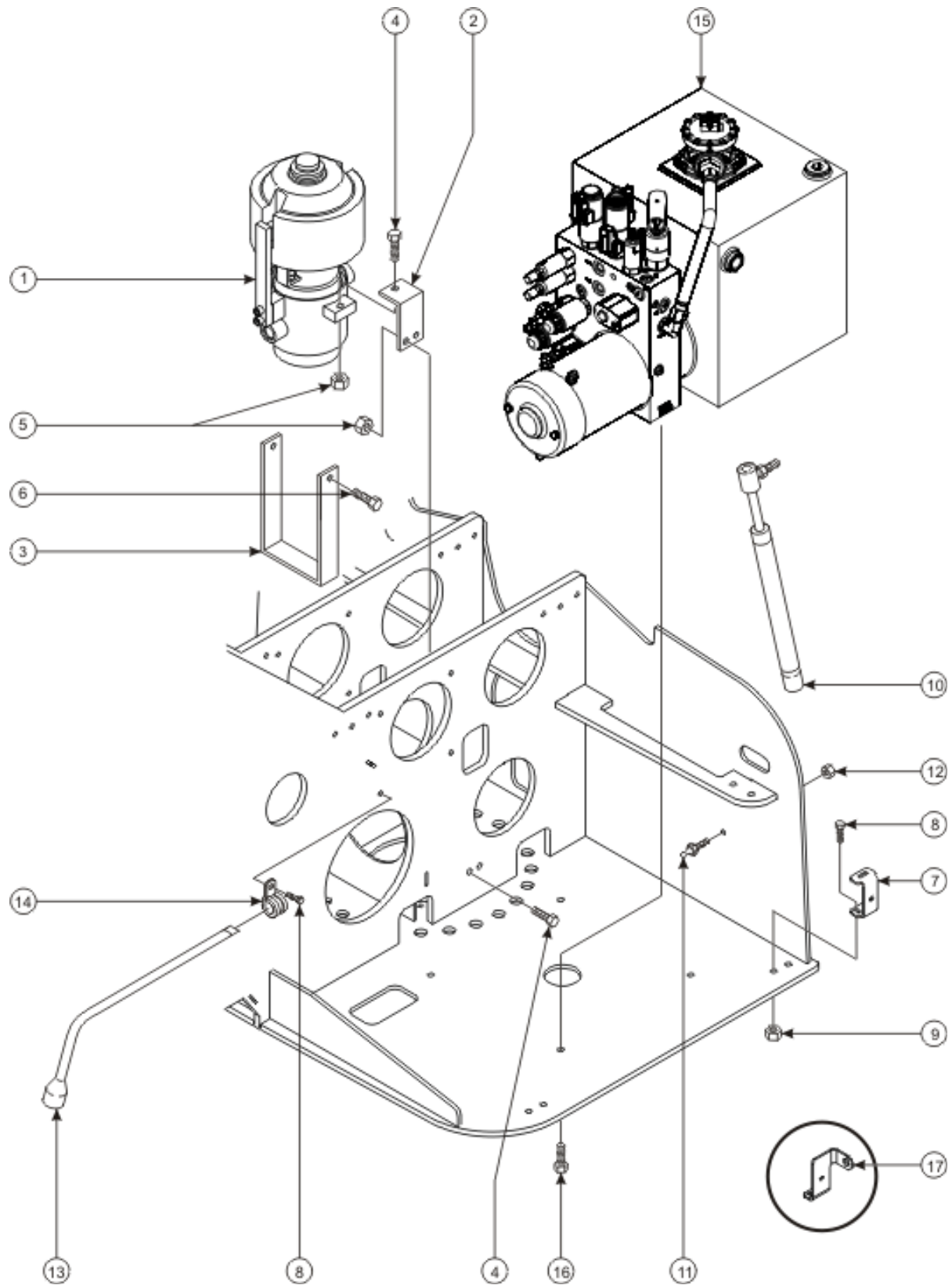
### MATERIAL LIFT ASSEMBLY (ANSI ONLY)



**MATERIAL LIFT ASSEMBLY (ANSI ONLY)**

ITEM NO.	PART NUMBER	DESCRIPTION	QTY.
	A-00846	Material Lift Package	1
1	A-00979	Bulkhead Mount	Ref.
2	A-00992	Load Sense Interface Module	1
3	0096-0085	Screw, Hex Head Cap - M6 x 60	3
4	0096-0039	Hex Nut with Nylon Insert - M6	3
5	0096-0016	Screw, Hex Head Cap - M10 x 25	2
6	0096-0041	Hex Nut with Nylon Insert, M10	2
7	A-00977	Platform Mount Weldment – LS	1
8	0096-0055	Screw, Hex Head Cap - M12 X 190	1
9	0096-0042	Hex Nut with Nylon Insert - M12	1
10	A-00038	Ramp	4
11	0096-0003	Screw, Flat Head Socket Cap - M6 x 20	8
12	0096-0077	Flat Washer, M6	8
13	0096-0039	Hex Nut with Nylon Insert - M6	8
14	A-00994	Load Sense Roller Bar	1
15	0090-0147	Cotter Pin, 1/8 x 1 1/4	2
16	A-00995	Load Sense Roller	2
17	0096-0046	Flat Washer, M12	4
18	0096-0009	Screw, Hex Head Cap - M8 x 10	2
19	A-00988-1	Load Cell With Turck Connector	1
20	A-00990B	Load Sense Spacer B	2
21	0096-0086	Screw, Hex Head Cap - M12 x 65 - Torque to 15 Ft. Lbs.	2
22	0096-0042	Hex Nut with Nylon Insert - M12	2
23	A-00990A	Load Sense Spacer A	1
24	0096-0069	Screw, Hex Head Cap - M10 x 75 - Bolt should Spin by Hand	1
25	0096-0041	Hex Nut with Nylon Insert, M10	1
26	A-00480	Material Boom Weldment	1
27	A-00028	Clevis Pin with Tension Lock	1
28	A-00071	Pin, 0.5" x 8.875"	1
29	0090-0147	Cotter Pin, 1/8 x 1 1/4	2
30	A-00485	Hook with Latch	1
30A	-	Castle Nut – supplied with Hook	1
30B	0090-0147	Cotter Pin, 1/8 x 1 1/4 - Not Shown	1
31	A-00982	Load Sense Weldment	1
32	A-00033	Bearing, Composite - .50 x .625 x .75	4
33	A-00170	Tongue Tube	Ref.
34	A-00155	Material Lift Storage Bracket	1
35	A-00037	Ramp - Short	4
36	0096-0003	Screw, Flat Head Socket Cap - M6 x 20	4
37	0096-0077	Flat Washer, M6	2
38	0096-0039	Hex Nut with Nylon Insert - M6	4
39	A-00156	Material Storage Clamp	1
40	0096-0016	Screw, Hex Head Cap - M10 x 25	2
41	0096-0041	Hex Nut with Nylon Insert, M10	2
42	0090-0552	Key Ring - Not Shown	1

### SWIVEL WITH 360° ROTATION



## SWIVEL WITH 360° ROTATION

ITEM NO.	PART NUMBER	DESCRIPTION	QTY.
1	A-00257	Swivel – Hydraulic/Electric	1
1A	B02-13-0144	Seal kit	1
1B	B02-16-0017	Hydraulic Pressure Kit	1
2	A-00265	Slip Ring Mount	2
3	A-00266	Slip Ring Collar	1
4	0096-0011	Cap Screw, M8 x 25	6
5	0096-0040	Hex Nut, Self-Locking, M8	6
6	0090-0040	Cap Screw, #3/8-16 x 3/4	2
7	A-00290	Cover Stop Bracket	1
8	0096-0002	Cap Screw, M6 x 20	4
9	0096-0039	Hex Nut, Self-Locking, M6	4
10	A-00274	Gas Spring	1
11	0090-0920	Ball Stud, 10MM	2
12	0090-0185	Hex Nut, Self-Locking, #5/16-18	2
13	A-00268	Tire Iron/Jack Handle	1
14	B04-07-0033	Clamp	2
15	A-00254	Hydraulic Power Unit	1
16	0096-0014	Cap Screw, M10 x 20	3
17	A-00277R	Cover Stop Bracket Hasp – Right (Alternate)	1

\*Optional Swivel provides 360° Rotation and includes item numbers 1-6, above.