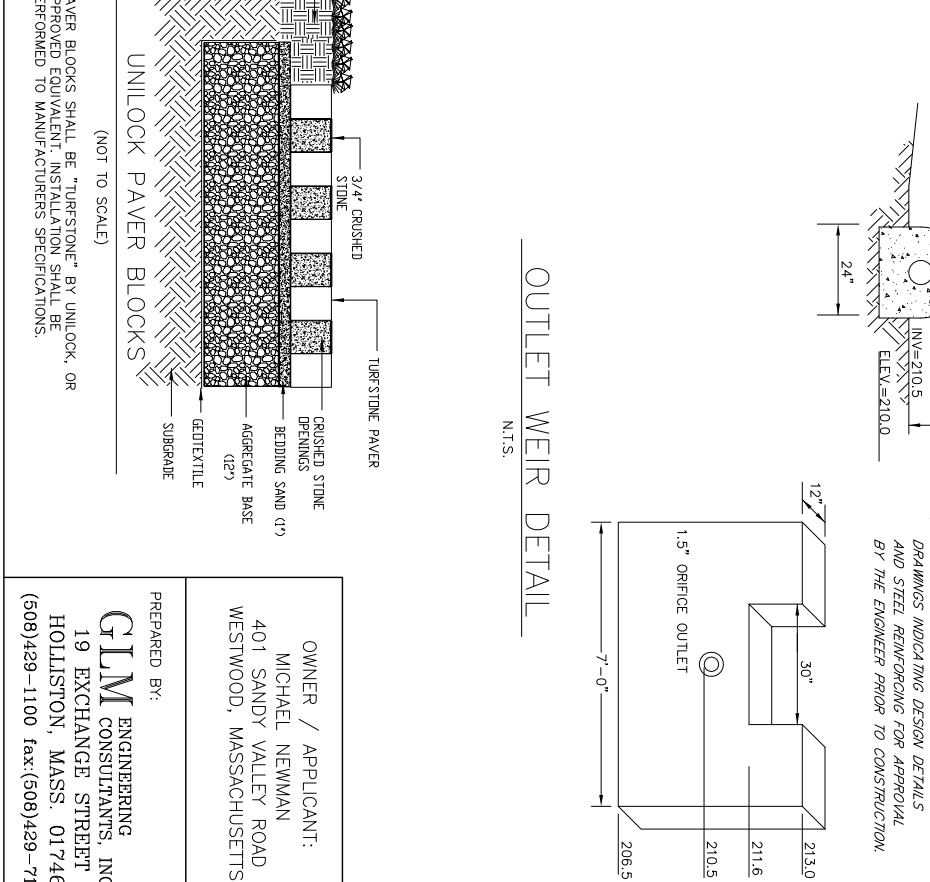
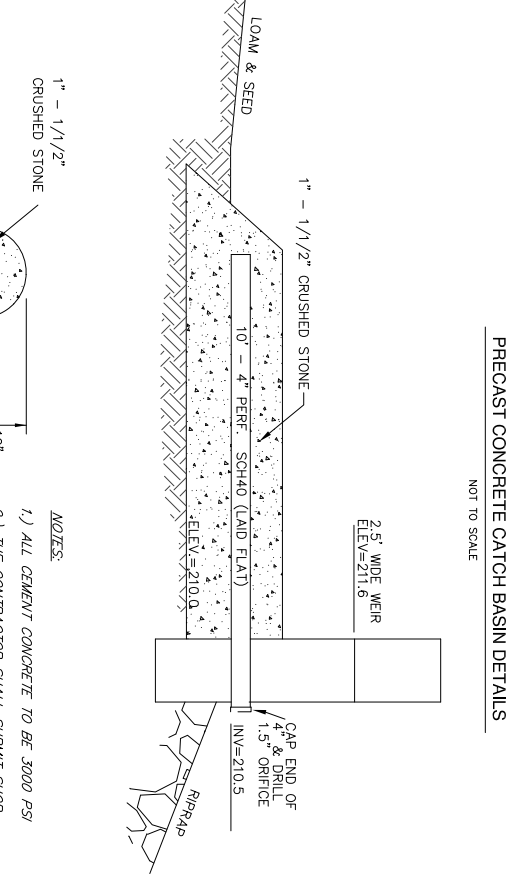
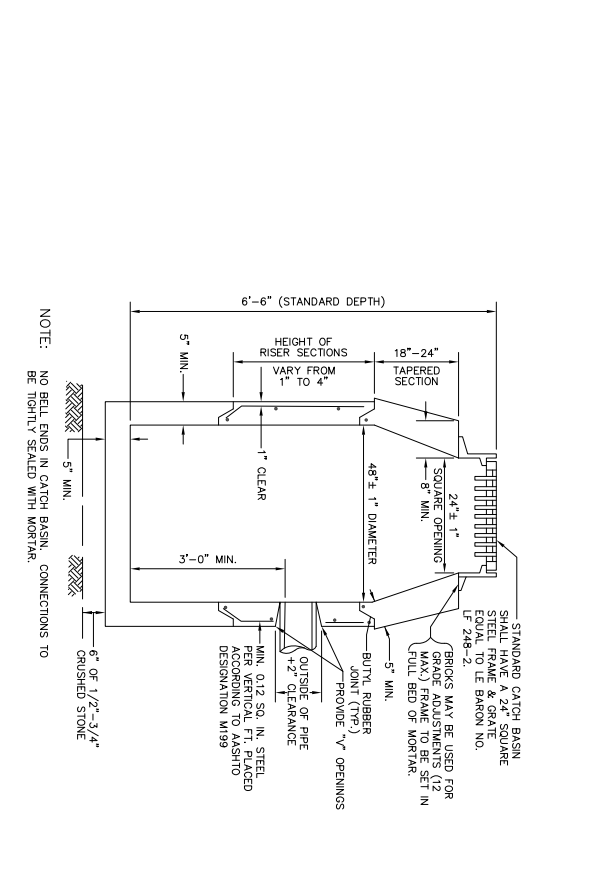


FilterMitt™ COMPONENTS
OUTSIDE CASINGS: 100% organic hessian.
FILLER INGREDIENT: *FiberRoot Mulch™*
 • A blend of coarse and fine compost and shredded wood.
 • Particle sizes: 100% passing a 3\"/>

FilterMitt™ INSTALLATION
 With the newest technology and equipment, sections can be constructed on site in lengths from 1 to 100'.
 Sections can also be delivered to the site in lengths from 1 to 8'.
 The flexibility of *FilterMitt™* allows it to conform to any contour or terrain while holding a slightly oval shape at 12\"/>

Where section ends meet, there shall be an overlap of 6\"/>



CONSTRUCTION SPECIFICATIONS
STANDARD CONSTRUCTION PROCEDURES
 Prior to commencement of work, the limit of the work area shall be clearly marked and station markers with construction fence shall be installed and inspected by the conservation commission or its agent.
CLEARING
 Clearing is confined to the minimum amount necessary for construction. When cutting and clearing trees, they shall be felled away from wetlands. All limbs and brush shall be chipped. The general clearing operation will consist of removing the vegetation and debris to the roadside. The contractor shall be responsible for the disposal of all debris. The contractor shall be responsible for the disposal of all debris. The contractor shall be responsible for the disposal of all debris. The contractor shall be responsible for the disposal of all debris.

EROSION AND SEDIMENTATION CONTROL
 1. Prior to commencement of any work within 100 feet of a resource area, a continuous erosion control barrier shall be installed, as shown on the plans, to prevent the introduction of sediment into the resource area. The erosion control barriers shall consist of silted haybales and silt fence staked.
 2. Erosion control measures shall be installed on a daily basis, or as needed, and be reinforced, repaired, or replaced when needed, per judgment of the site foreman and/or Conservation Commission. Sediment shall be removed once the volume reaches 1/4 to 1/2 the height of the filter mitt or haybale and deposited in areas outside the 100 foot buffer zone.
 3. Where work is to be performed within the 100 foot buffer zone, erosion control barriers shall be installed on a daily basis, or as needed, and be reinforced, repaired, or replaced when needed, per judgment of the site foreman and/or Conservation Commission. Sediment shall be removed once the volume reaches 1/4 to 1/2 the height of the filter mitt or haybale and deposited in areas outside the 100 foot buffer zone.
 4. Steep side slopes shall not be greater than 2:1. All stockpiles shall be located outside the 100 foot buffer zone to a well-drained resource area. No stockpile or pile of material shall be located within the 100 foot buffer zone, unless otherwise approved by the Conservation Commission. All stockpiles shall be surrounded by sediment controls.
 5. Areas of disturbed soils within the 100 foot buffer zone will be stabilized with a vegetative cover. Disturbed areas that are not subject to construction traffic, shall receive a vegetative cover within fourteen (14) days after final grades are established. Temporary vegetative cover shall be established on a period of sixty (60) days or more. If the season prevents the establishment of a vegetative cover, disturbed areas shall be mulched and the seedbed weather conditions allow.
 6. Grass seed for slope stabilization shall be perennial, deep rooted and fast growing variety that will produce a dense uniform cover. Seed mixture to be used will be: Tall fescue (30% of mix), Orchard grass (30% of mix), and Perennial ryegrass (15% of mix). All seeds shall be certified by a seed testing agency and shall be tested with 1000 seeds for germination.
 7. Disturbed areas remaining idle for more than 14 days shall be stabilized.
 8. Dust shall be controlled with water spraying on all disturbed areas during dry weather.
 9. All temporary erosion and sediment control measures shall be removed after final site stabilization, upon authorization by the Conservation Commission. Disturbed soil areas resulting from the removal of temporary measures shall be permanently stabilized within 30 days.
 10. The contractor shall keep a minimum of 15 haybales stockpile onsite at all times during construction for use during emergency situations.
 11. The first fifty (50) feet of the proposed access drive, where it intersects the existing driveway, shall be covered with six (6) inches of 1 1/2\"/>

REVISIONS

NO.	DATE	DESCRIPTION	JOB No.
1	01/06/09	CON.COM. COMMENTS	1.3.739
2	02/04/09	CON.COM. COMMENTS	
3	02/25/09	CON.COM. COMMENTS	

OWNER / APPLICANT:
 MICHAEL NEWMAN
 401 SANDY VALLEY ROAD
 WESTWOOD, MASSACHUSETTS

PREPARED BY:
 GLM ENGINEERING
 GLM CONSULTANTS, INC.
 19 EXCHANGE STREET
 HOLLISTON, MASS. 01746
 (508)429-1100 Fax:(508)429-7160

SITE PLAN OF LAND
"401 SANDY VALLEY ROAD"
WESTWOOD, MASSACHUSETTS

DETAILS
 PAUL E. TRUAX, P.E. DATE _____
 SCALE: 1" = 40'
 DATE: OCTOBER 16, 2008
 SHEET NO. 5 OF 6