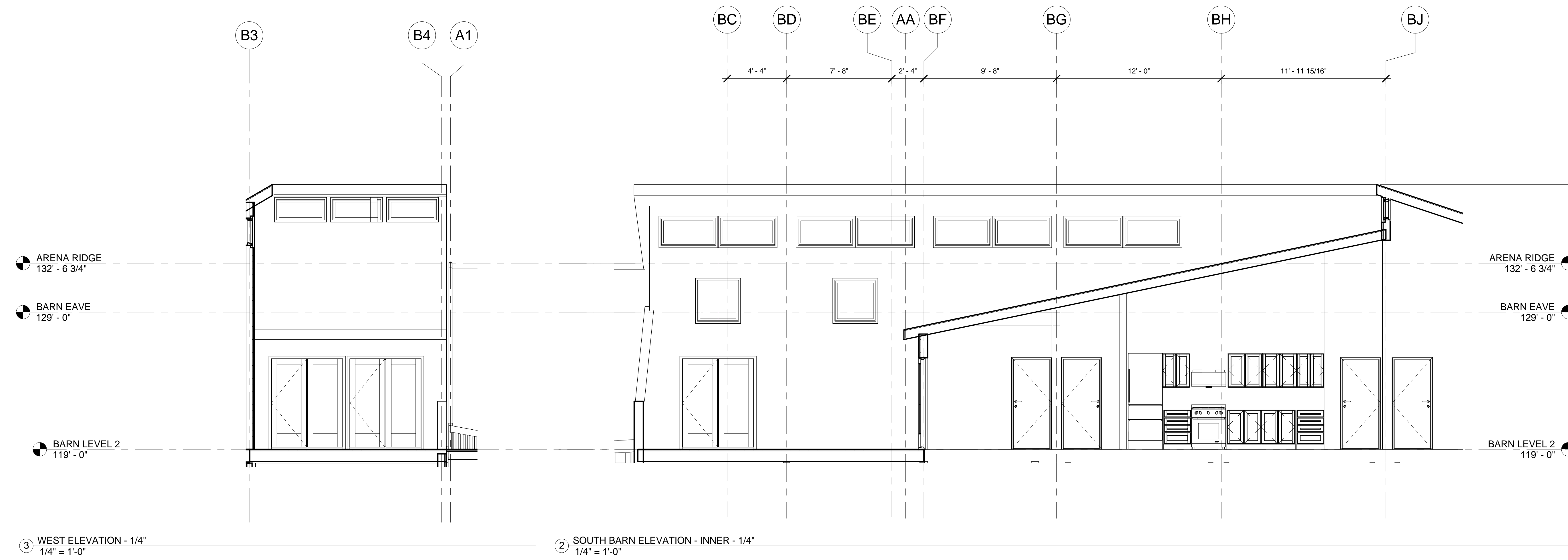


**WILDSTAR FARM EQUESTRIAN FACILITY**

SHERBORN MASSACHUSETTS

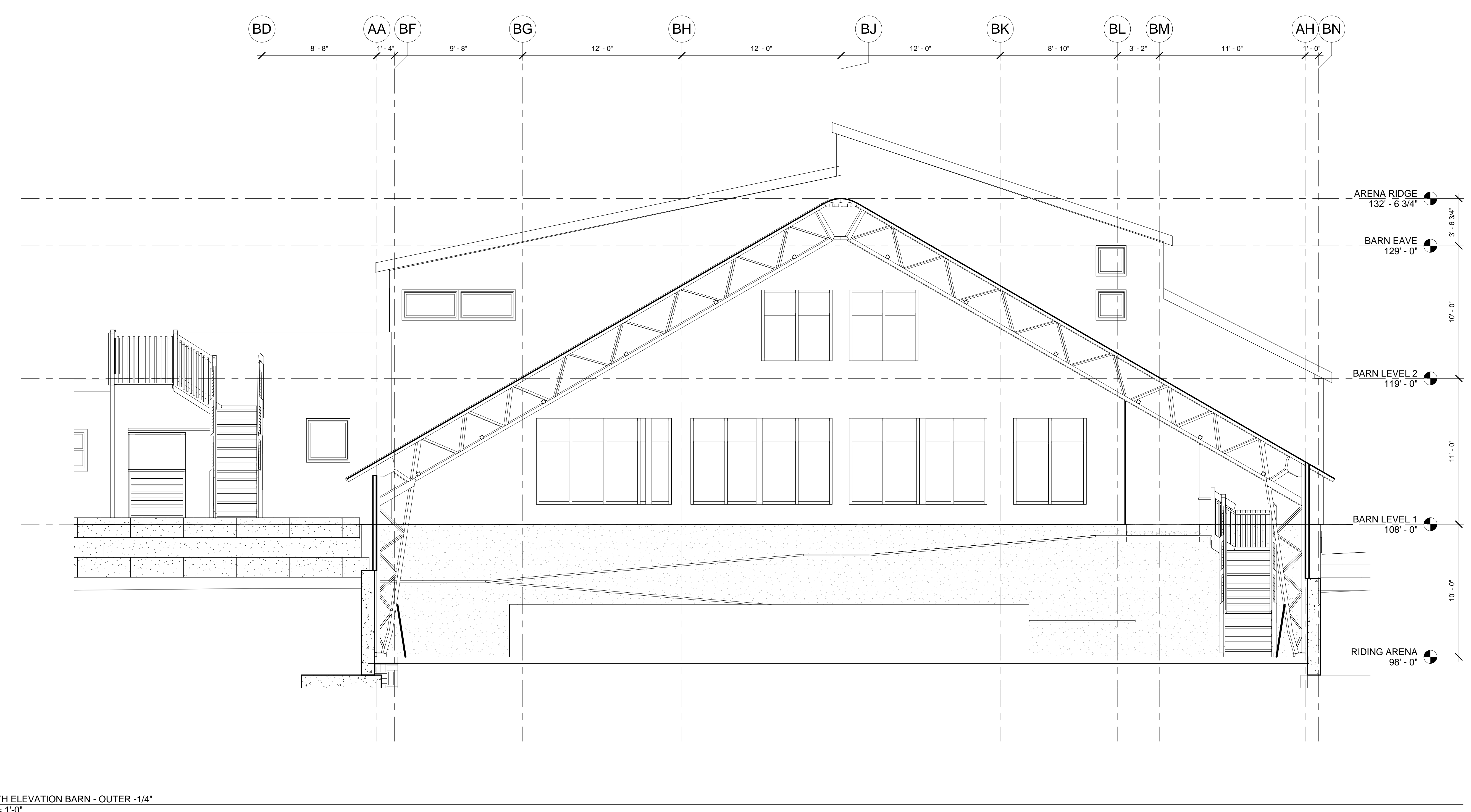


Polly Kornblith and Michael Newman  
19 Nason Hill Lane  
Sherborn, Massachusetts, 01770



③ WEST ELEVATION - 1/4"  
1/4" = 1'-0"

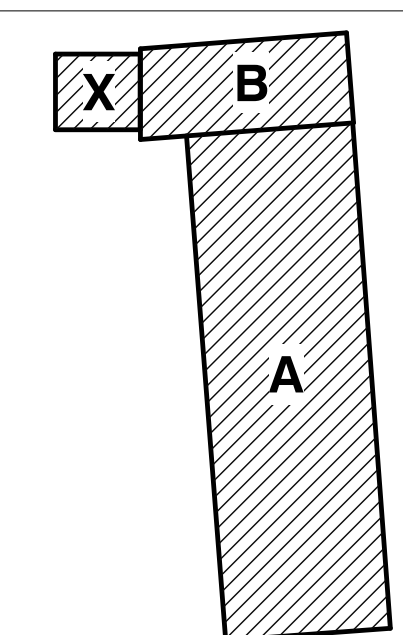
② SOUTH BARN ELEVATION - INNER - 1/4"  
1/4" = 1'-0"



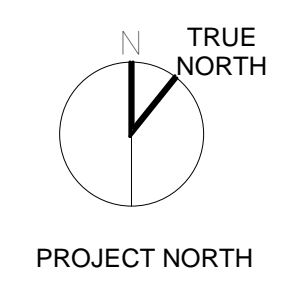
① SOUTH ELEVATION BARN - OUTER - 1/4"  
1/4" = 1'-0"

© COPYRIGHT 2017 JAMES T. GUARINO CONSULTING.

Progress Print



KEYPLAN



PROJECT NORTH

**BUILDING ELEVATIONS - ENLARGED**

Scale: 1/4" = 1'-0"  
Job No.: 17001.00  
Drawn By: JTG  
Date: 04/26/17

**A2-0-2**